

Super tweeter for outstanding detail and clarity in high-frequencies without harshness. The ST350 may be used individually in lower power systems or arrayed for increased coverage and SPL in higher power systems.

The bullet-shape horn design offers a longer throw 50° x 50° dispersion.

The plastic injected housing is stable and durable.

The phenolic annular diaphragm is long-lasting, cost-effective and more natural-sounding than metallic diaphragms.

The use of high-temperature materials and adhesives improves power handling and produces exceptionally high acoustic output.

A precisely engineered diaphragm structure and alignment mechanism for easy, reliable, cost effective repair in case of diaphragm failure.



ST350 BLACK



ST350 SILVER



ST350 ONIX

SPECIFICATIONS

| | | |
|--|-----------------|----------|
| Nominal impedance | 8 | Ω |
| Minimum impedance @ 6,700 Hz | 6.5 | Ω |
| Power handling | | |
| Musical Program (w/ xover 5,000 Hz 12 dB/oct) ¹ | 150 | W |
| Musical Program (w/ xover 8,000 Hz 12 dB/oct) ¹ | 200 | W |
| Sensitivity (2.83V@1m) averaged from 3 to 10 kHz | 111 | dB SPL |
| Frequency response @ -10 dB | 2,500 to 20,000 | Hz |
| Sound dispersion (H x V) | 50 x 50 | degrees |
| Diaphragm material | | Phenolic |
| Voice coil diameter | 42 (1.6) | mm (in) |
| Re | 6.2 | Ω |
| Flux density | 1.70 | T |

¹ Power handling specifications refer to normal speech and/or music program material, reproduced by an amplifier producing no more than 5% distortion. Power is calculated as true RMS voltage squared divided by the nominal impedance of the loudspeaker. This voltage is measured at the input of the recommended passive crossover when placed between the power amplifier and loudspeaker.
Musical Program= 2 x W RMS

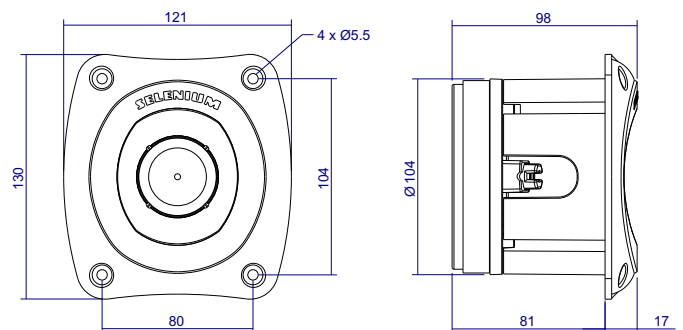
WARNING: Must be connected with an appropriate crossover.

ADDITIONAL INFORMATION

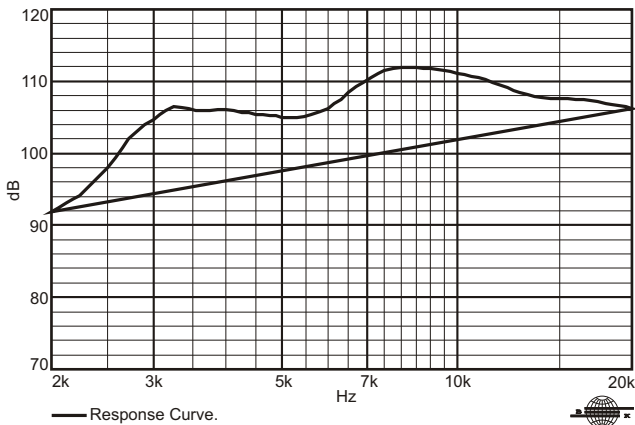
| | |
|--|--|
| Magnet material | Barium ferrite |
| Magnet weight | 470 (16.5) g (oz) |
| Magnet diameter x depth | 102 x 14 (4.02 x 0.55) mm (in) |
| Magnetic assembly weight | 1,210 (2.66) g (lb) |
| Housing material | ABS X17 plastic |
| Housing finish | Black/Silver/Onix |
| Voice coil material | CCAW |
| Voice coil former material | Polyimide (Kapton®) |
| Voice coil winding length | 2.2 (7.2) m (ft) |
| Voice coil winding depth | 2.0 (0.08) mm (in) |
| Wire temperature coefficient of resistance (α25) | 0.00356 1/°C |
| Volume displaced by tweeter | 0.7 (0.025) l (ft ³) |
| Net weight | 1,420 (3.13) g (lb) |
| Gross weight | 1,520 (3.35) g (lb) |
| Carton dimensions (W x D x H) | 10.5 x 13.2 x 12.2 (4.1 x 5.2 x 4.8) cm (in) |

MOUNTING INFORMATION

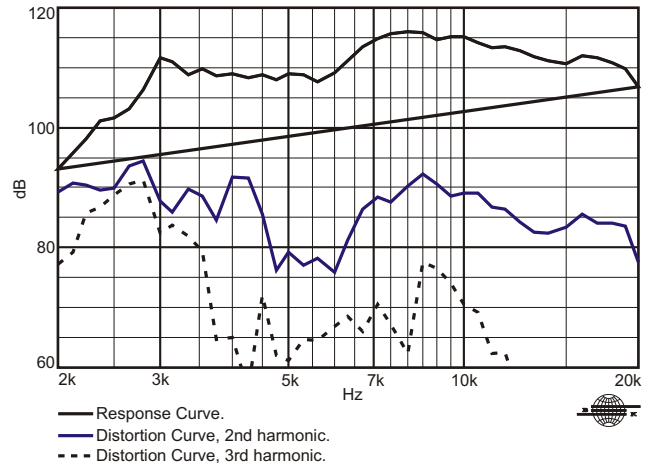
| | |
|--------------------------------------|---|
| Number of bolt-holes | 4 |
| Bolt-hole dimensions | 4.4 x 5.5 (0.17 x 0.21) mm (in) |
| Distance between bolt-holes (H x V) | 80 x 104 (3.15 x 4.09) mm (in) |
| Baffle cutout diameter (front mount) | 106 (4.17) mm (in) |
| Connectors | Push terminals |
| Polarity | Positive voltage applied to the positive terminal (red) gives diaphragm motion toward the horn throat |



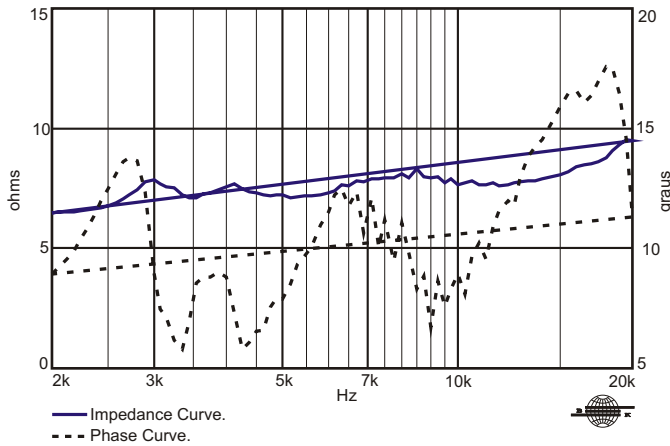
RESPONSE CURVE MEASURED IN ANECHOIC CHAMBER, 1 W / 1 m



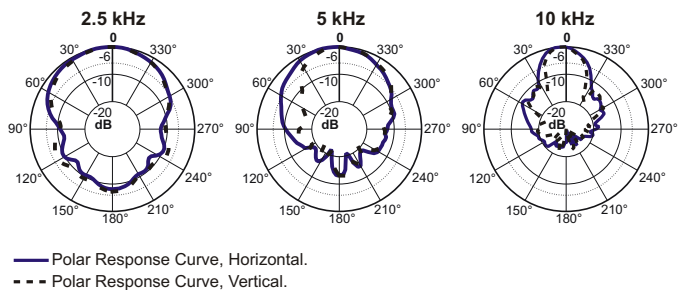
HARMONIC DISTORTION CURVES, 2.5 W / 1 m.



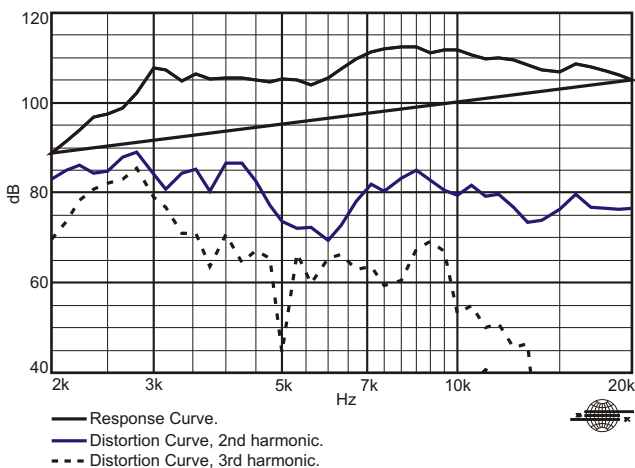
IMPEDANCE AND PHASE CURVES MEASURED IN FREE-AIR.



POLAR RESPONSE CURVES



HARMONIC DISTORTION CURVES, 1 W / 1 m.



HOW TO CHOOSE THE RIGHT AMPLIFIER

The power amplifier must be able to supply twice the RMS driver power. This 3 dB headroom is necessary to handle the peaks that are common to musical programs. When the amplifier clips those peaks, high distortion arises and this may damage the transducer due to excessive heat. The use of compressors is a good practice to reduce music dynamics to safe levels.

FINDING VOICE COIL TEMPERATURE

It is very important to avoid maximum voice coil temperature. Since moving coil resistance (R_E) varies with temperature according to a well known law, we can calculate the temperature inside the voice coil by measuring the voice coil DC resistance:

$$T_B = T_A + \left(\frac{R_B}{R_A} - 1 \right) \left(T_A - 25 + \frac{1}{\alpha_{25}} \right)$$

T_A , T_B = voice coil temperatures in °C.

R_A , R_B = voice coil resistances at temperatures T_A and T_B , respectively.

α_{25} = voice coil wire temperature coefficient at 25 °C.

Kapton®: Du Pont trademark.

Specifications subject to change without prior notice.

Cod.:NA Rev.: 00 - 11 /05

ELETRÔNICA SELENIUM S.A.
BR 386 Km 435 - Nova Santa Rita/RS - Brasil -
CEP 92480-000
Tel.: 51. 3479 4000 Fax: 51. 3479 1150
www.selenium.com.br
Atendimento Técnico: 0800 514161

SELENIUM USA / SELENIUM EUROPE
www.seleniumloudspeakers.com
Toll Free: 1800 5620510