

# SPACEFLOWER

## OPERATING MANUAL Art. 9305

### Introduction

Congratulations to have bought the SPACEFLOWER effect.

Lighting effect studied for open-air display, the SPACEFLOWER projects 3 circle of 12 rays that can open, closed and rotate with different speed settings.

The lamp STI 3000W make the light rays visible till 7- 8 Km.

An inside mechanism permits a light beam panning movement from 0 to 180 degrees with speed regulation.

These functions are directed by the front control panel of the equipment.

The SPACEFLOWER born to work in open-air, therefore its mechanics has been scrupulously studied for this purpose.







Before using the unit, please read carefully this manual in order to obtain always the best performances and a constant correct working.

### Your reference

Mention the item and the the serial number everytime you apply to your dealer for information or technical assistance.

### Packaging

The packaging of the SPACEFLOWER includes :

-  Head Spot
-  Base Spot
-  Lamp (on request)
-  n.1 Connector for power supply connection
-  Operating Manual
-  STUDIO DUE guarantee

### ATTENTION:

Verify that the apparatus has not been damaged during the transportation. Claims for possible damages or wrong functioning apply to your dealer.

If this apparatus has been sent to you directly, apply immediatly to the freight company.

Only the consignee (person or company) can claim for eventual damages.

## SPACE FLOWER technical features

- LAMP STI 3000 watt.
- Thermic protection.
- Pan 180 degrees.
- Rotation and opening-closing of the 3 circles of 12 rays each one.
- Front control panel: n.3 different speed setting, continuous regulation of pan excursion  
0-180° continuous regulation of the speed ray rotation.
- Weather - proof case to protect the equipment from elements.
- Cooling system :
  - N.1 fan 150x150 head spot.
  - N.1 fan 120x120 base spot.
- Visibility : MAX 7 km.
- Weight: 70 kgs.

## SPACE FLOWER technical features

- LAMP STI 3000 watt.
- Thermic protection.
- Pan 180 degrees.
- Rotation and opening-closing of the 3 circles of 12 rays each one.
- Front control panel: n.3 different speed setting, continuous regulation of pan excursion  
0-180° continuous regulation of the speed ray rotation.
- Weather - proof case to protect the equipment from elements.
- Cooling system :
  - N.1 fan 150x150 head spot.
  - N.1 fan 120x120 base spot.
- Visibility : MAX 7 km.
- Weight: 70 kgs.

SPACEFLOWER ON PROBABLE RAIN-WATER DRAINAGE THAT SHOULD BE SUCKED IN, BY THE FAN.

External surface temperature of the apparatus:

- a) After 5 minutes of working:  $T_c = 75^\circ$
- b) At thermic equilibrium reached:  $T_c = 90^\circ$

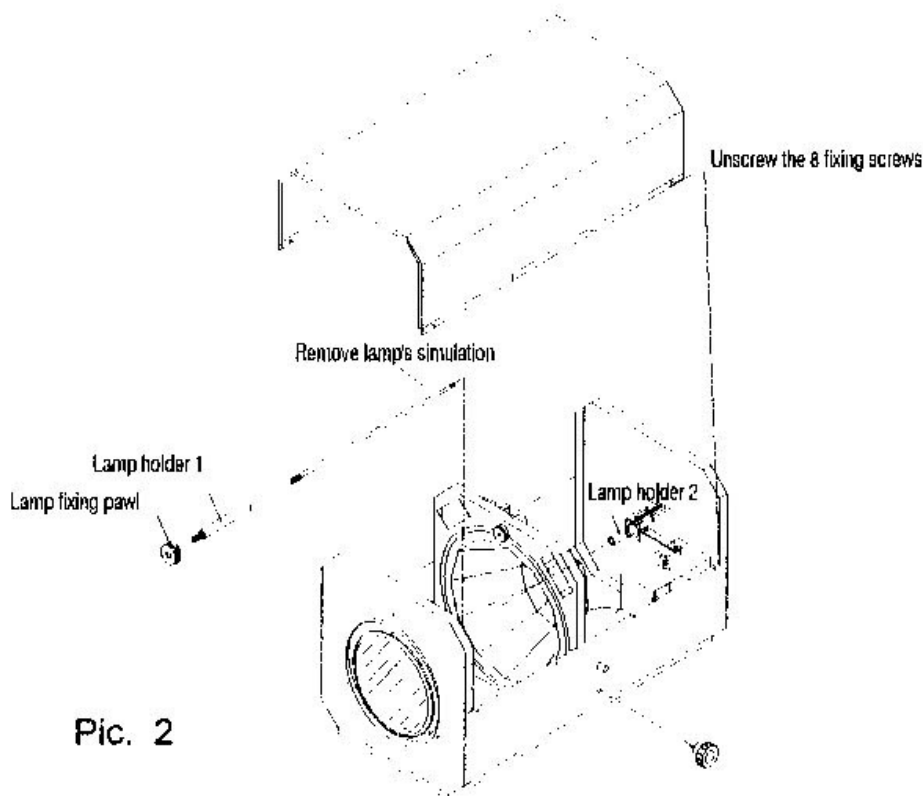
The unit must be installed at least 30 cm. from walls or other surfaces.

- 6. Clean periodically the finger guards of input and output air.
- 7. Do not handle the apparatus from the bracket but use always the suitable handles.

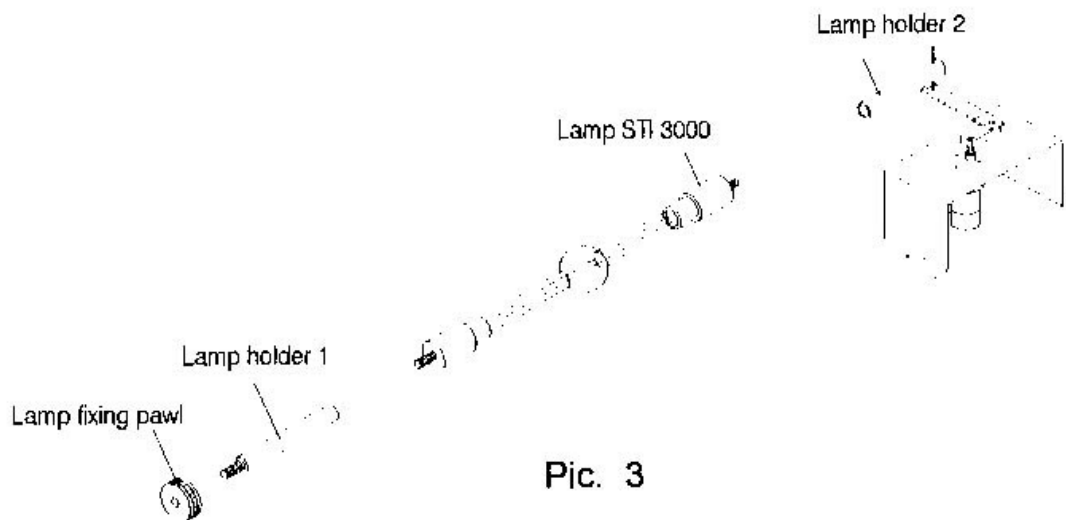
## Assembling and substitution of the lamp

Before effecting this operation make sure to disconnect the unit from the main voltage and proceed as follows:

- 1. Remove the 8 fixing screws from the apparatus cover head. (Pic.2)
- 2. Open the cover. (Pic.2)
- 3. Take off the power supply cable from the lamp holder 1.
- 4. Unscrew the lamp holder 1.
- 5. Unscrew the metal bar (lamp's simulation) from the lamp holder 2 and draw out it from parabole lens' side. (Pic.2)
- 6. Insert the lamp in the parabole (lens' side) and screw it on the lamp holder 2. (Pic.3a)



Pic. 2



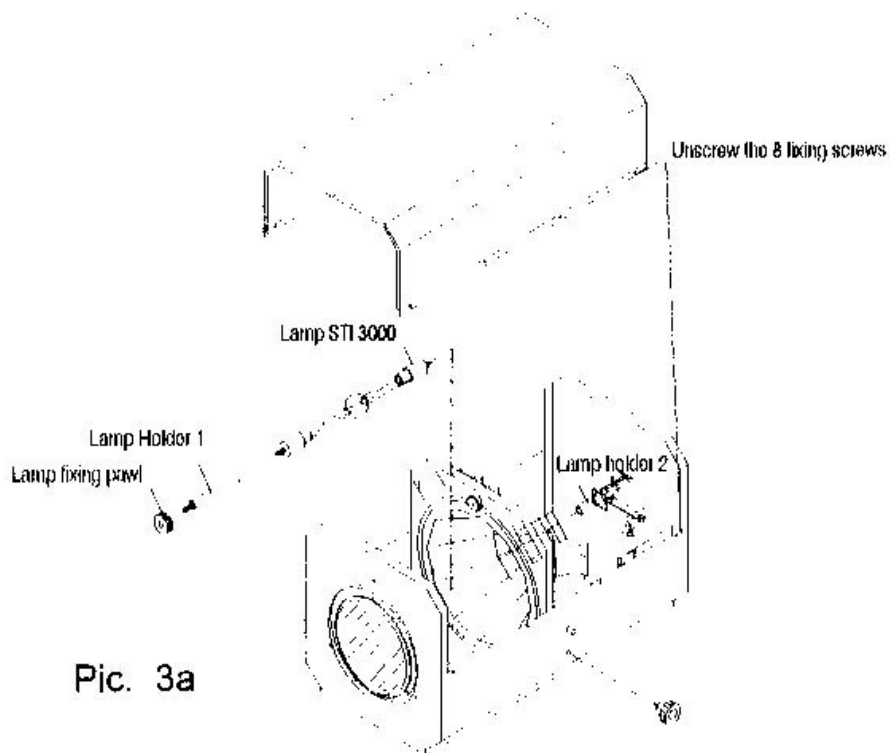
Pic. 3

7. Screw the lamp holder 1 to the lamp.(Pic.3)
8. Fix again the power supply cable to the lamp holder 1 taking care to well tighten the pawl.
9. Close the superior cover, if it should remain open a safety switch will prevent the lamp's ignition.



**IMPORTANT:**

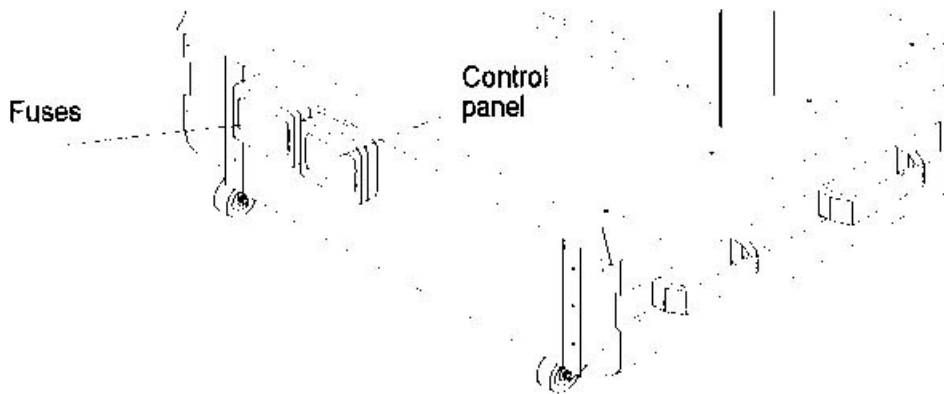
For lamp replacement or maintenance open the apparatus not before 5 minutes from the switching off.



Pic. 3a

## SPACEFLOWER functions

On the frontal panel side on the base of apparatus (Pic.4) there are two little water-proof box.



Pic. 4

The one on the right (Pic. 4) contains all the necessary controls to activate automatically the apparatus functions. The functions of the controls A - B - C - D - E (Pic.4b) are:

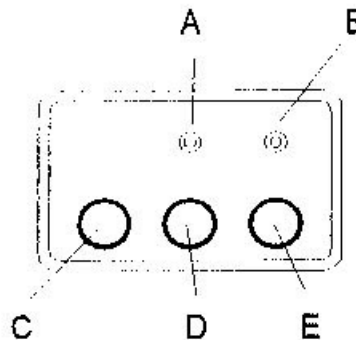
- A - Two position switch to control the opening and closing of ray's circles.
  - Left position, slow opening- closing.
  - Right position, fast openig - closing.
- B - Control switch to activate the projector horizontal moving.
  - Left position, activated moving.
  - Right position, deactivated moving.
- C - Potentiometer for the horizontal regulation of the speed moving.
- D - Potentiometer for the regulation of the maximum excursion of the horizontal moving, that can vary from 1 to 170 degrees.
- E - Potentiometer for the regulation of rays speed rotation.

Fuses



Pic. 4a

Control panel



Pic. 4b

## Use of the SPACEFLOWER

After having operate the connection to the main voltage and having positioned the apparatus as seen previously, the SPACEFLOWER is ready for use.

For a better visual result of the light-effect, follow these advices :

- Don't install the apparatus in front of trees and houses that could stop the rays projection.
- Adjust the moving excursion on the orizzontal plane (potentiometer D) in order to enable the desired moving of the apparatus.
- Adjust the head inclination of the apparatus making sure:
  - a) Don't diect the light-rays on the nearby streets, cause they can disturb the drivers.
  - b) Don't incline the apparatus head too higher, this could cause a decrease of visual rays effct.
- DO NOT INSTALL THE APPARATUS IN PROXIMITY TO PORT AND AIRPORT, CAUSE IT CAN DISTURB THE SHIPS AND AIRPLANE OPERATIONS.

## Maintenance

In order to preserve in long run the shining performances of the apparatus and mostly to secure the normal air flux inside the apparatus, it's necessary at least twice a years to clean carefully both optical parts (like external lens and parabole mirror) and the acces and defluction air-grilles, both on the head and on the base of the apparatus.

BEFORE EFFECTING THESE OPERATIONS, MAKE SURE TO HAVE DISCONNECTED THE ELECTRIC POWER.

## Guarantee

THE APPARATUS AND ALL ITS PARTS ARE GUARANTEED FOR 1 YEAR AGAINST DEFECTS OF MANUFACTURE OR MATERIALS. DEFECTS AND BREAKAGES CAUSED BY WRONG USE OF THE APPARATUS ARE NOT SUBJECT TO GUARANTEE.

STUDIO DUE light division  
Viterbo (ITALY)

# SPACE FLOWER - SETUP

## AUTO MODE (normal mode):

### DIP SWITCHES SETTING:

N°1 = OFF

N°2 = OFF

N°3 = OFF

N°4 = ON

Now you can adjust:

FLOWER SPEED: Operating on the "HUNDREDS" rotary switch

RAYS ROTATION SPEED: Operating on the "TENS" rotary switch

PAN SPEED: Operating on the "UNITS" rotary switch

MAX EXCURSION PAN: Operating on the trimmer "MAX EXCURSION AUTO PAN"

## DMX MODE:

### DIP SWITCHES SETTING:

N°1 = OFF

N°2 = OFF

N°3 = OFF

N°4 = OFF

Now you can set the "DMX STARTING ADDRESS" operating on the rotary switches "HUNDREDS, TENS and UNITS":

For example, if you have two SPACE FLOWER:

Fixture n° 1: DMX STARTING ADDRESS = 1

HUNDREDS = 0

TENS = 0

UNITS = 1

Fixture n° 2: DMX STARTING ADDRESS = 7

HUNDREDS = 0

TENS = 0

UNITS = 7

DMX CHANNELL	FUNCTION
1	PAN SPEED
2	FLOWER SPEED
3	RAYS ROTATION
4	SHUTTER
5	PAN
6	aux

STUDIO DUE Id



AUTO MODE+ target: (The pan movement do not work)

DIP SWITCHES SETTING:

N°1 = OFF

N°2 = ON

N°3 = OFF

N°4 = ON

Now you can adjust:

FLOWER SPEED: Operating on the "HUNDREDS" rotary switch

RAYS ROTATION SPEED: Operating on the "TENS" rotary switch

TARGET : Operating on the "UNITS" rotary switch

AUTO TEST

DIP SWITCHES SETTING:

N°1 = OFF

N°2 = OFF

N°3 = ON

N°4 = ON

**SPACEFLOWER**  
DMX REMOTE CONTROL



**DP-SWITCHES FUNCTIONS**

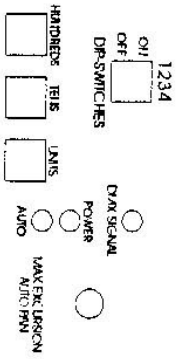
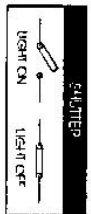
OFF	ON
1 AUX	AUX
2 NORMAL	TARGET
3 NORMAL	AUTO TEST
4 DMX MODE	AUTO MODE

**DMX ADDRESS**

CH1 = PAN SPEED
CH2 = TILT/CLIP SPEED
CH3 = PAN POSITION
CH4 = SHUTTER
CFE = PAN
CFE = AUX

**DMX INPUT**

FN1 = GND
FN2 = SIG -
FN3 = SIG +



DMX MODE =	HANDREIS	TELS	LINTS
AUTO MODE =	TOWER SPEED	PAN SPEED	PAN TARGET
AUTO MODE + TARGET	TOWER SPEED	PAN SPEED	PAN TARGET

**WEICHHART** GmbH

Licht + Ton  
Ihr kompetenter Partner  
für Licht + Ton seit 32 Jahren

Fürstenrieder Str. 270 81377 München  
Tel.: 089/714 20 63  
Fax: 089/719 15 45

[info@weichhart.de](mailto:info@weichhart.de) [www.weichhart.de](http://www.weichhart.de)