

### Features:

- Reinforced fiberglass horn.
- 50 mm (2") throat.
- 90°(H) x 40°(V) nominal coverage.
- Stage monitors, side-fill and P.A. applications.
- Metal bracket included (HS50).



\*HM47-50-SLF: Without Selenium logo printed on it.

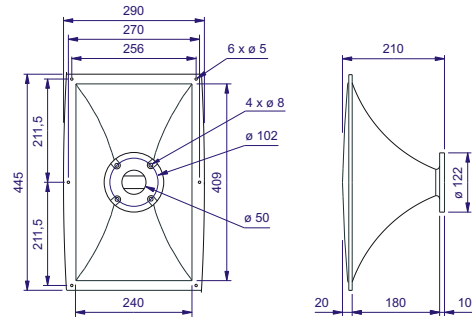
### SPECIFICATIONS

Nominal coverage	
Horizontal .....	90 degrees
Vertical .....	40 degrees
Directivity	
Directivity factor (Q) .....	13
Directivity index (Di) .....	11 dB
Sensitivity	
On driver, 1W @ 1m, on axis <sup>1</sup> .....	108 dB SPL
Frequency response @ -10 dB <sup>2</sup> .....	400 to 15,000 Hz
Throat diameter .....	50 (2) mm (in)
Minimum recommended crossover <sup>3</sup> .....	400 Hz

<sup>1</sup> Measured with D408Ti driver, 800 - 3,000 Hz average.

<sup>2</sup> Measured with D408Ti driver.

<sup>3</sup> With D408Ti driver.



Dimensions in mm.

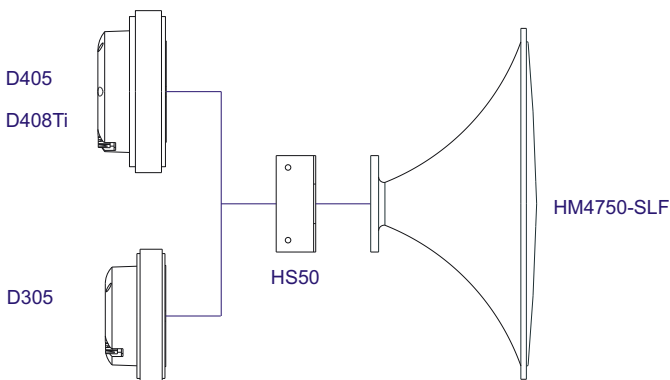
### ADDITIONAL INFORMATION

Horn material .....	Reinforced fiberglass
Horn finish .....	Black
Overall dimensions	
Mouth height .....	290 (11.42) mm (in)
Mouth width .....	445 (17.52) mm (in)
Length .....	210 (8.27) mm (in)
Volume displaced by horn .....	3.0 (0.106) l (ft <sup>3</sup> )
Net weight .....	1,500 (3.31) g (lb)
Gross weight .....	2,900 (6.39) g (lb)
Carton dimensions (W x D x H) .....	48 x 30 x 25 (18.9 x 11.8 x 9.8) cm (in)

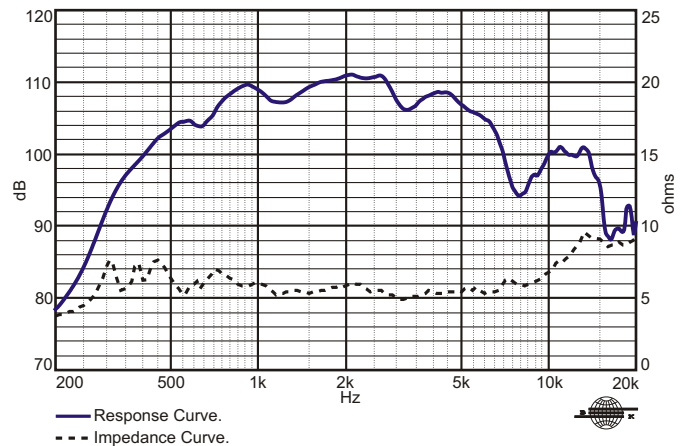
### MOUNTING INFORMATION

Mechanical connection of driver .....	Bolt on
Baffle cutout dimensions (front mount)	
Horizontal .....	405 (15.95) mm (in)
Vertical .....	240 (9.45) mm (in)

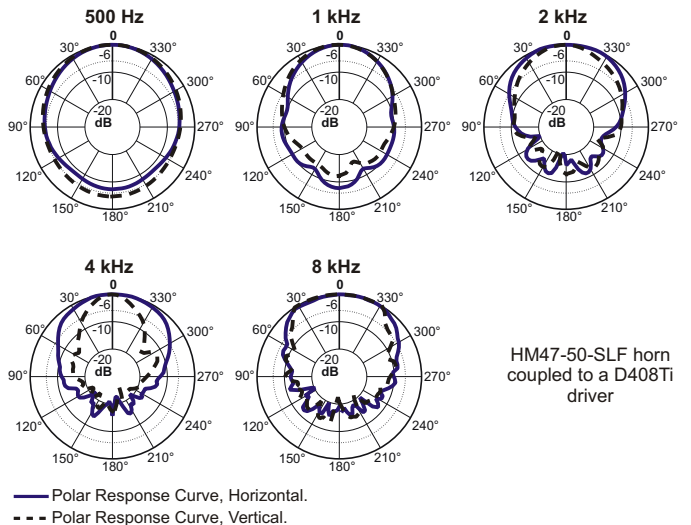
### HORN x DRIVER CONNECTION



### RESPONSE AND IMPEDANCE CURVES W/ D408Ti DRIVER INSIDE AN ANECHOIC CHAMBER, 1 W / 1 m



### POLAR RESPONSE CURVE



HM47-50-SLF horn coupled to a D408Ti driver

Specifications subject to change without prior notice.

Cod.: 151518 Rev.: 03- 03/05

**ELETRÔNICA SELENIUM S.A.**  
 BR 386 Km 435 - Nova Santa Rita/RS - Brasil -  
 CEP 92480-000  
 Tel.: 51. 479 4000 Fax: 51. 479 1150  
 www.selenium.com.br  
 Atendimento Técnico: 0800 514161

**FILIAL SÃO PAULO**  
 Rua Aquinos, 157 - São Paulo/SP - Brasil - CEP 05036-070  
 PABX.: 11.2126 6300 Fax: 11.2126 6360

**SELENIUM USA / SELENIUM EUROPE**  
 www.seleniumloudspeakers.com  
 Toll Free: 1800 5620510