

Features:

- Reinforced fiberglass horn.
- 50 mm (2") throat.
- 60°(H) x 30°(V) nominal coverage.
- Stage monitors, side-fill and P.A. applications.
- Metal bracket included (HS50).



*HM39-50-SLF: Without Selenium logo printed on it.

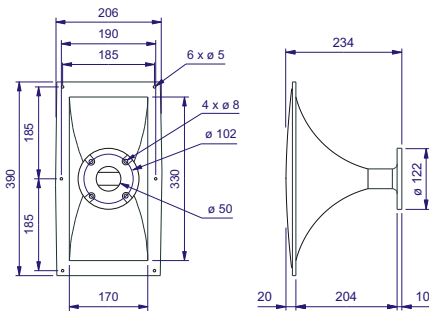
SPECIFICATIONS

Nominal coverage	
Horizontal	60 degrees
Vertical	30 degrees
Directivity	
Directivity factor (Q)	13
Directivity index (Di)	11 dB
Sensitivity	
On driver, 1W @ 1m, on axis ¹	107 dB SPL
Frequency response @ -10 dB ²	400 to 15.000 Hz
Throat diameter	50 (2) mm (in)
Minimum recommended crossover ³	400 Hz

¹ Measured with D405TI driver, 800 - 3,000 Hz average.

² Measured with D405TI driver.

³ With D405 driver.



Dimensions in mm.

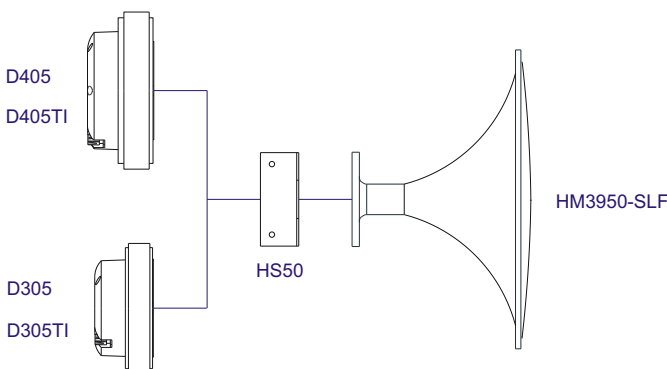
ADDITIONAL INFORMATION

Horn material	Reinforced fiberglass
Horn finish	Black
Overall dimensions	
Mouth height	206 (8.11) mm (in)
Mouth width	390 (15.35) mm (in)
Length	234 (9.21) mm (in)
Volume displaced by horn	2.7 (0.095) l (ft ³)
Net weight	1,400 (3.07) g (lb)
Gross weight	2,700 (5.95) g (lb)
Carton dimensions (W x D x H)	42 x 27 x 27.5 (16.5 x 10.6 x 10.8) cm (in)

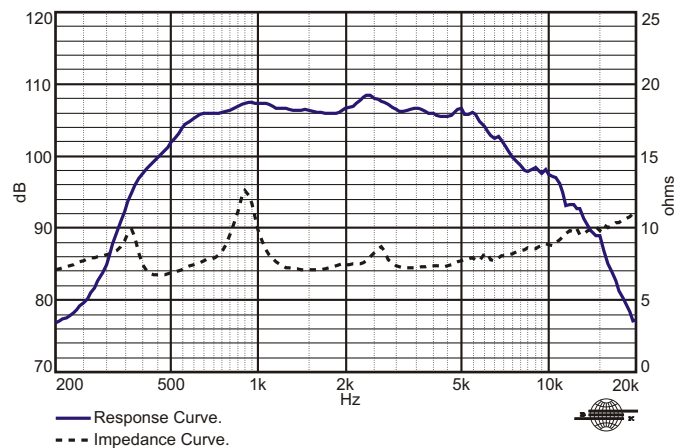
MOUNTING INFORMATION

Mechanical connection of driver	Bolt on
Baffle cutout dimensions (front mount)	
Horizontal	330 (13.00) mm (in)
Vertical	170 (6.79) mm (in)

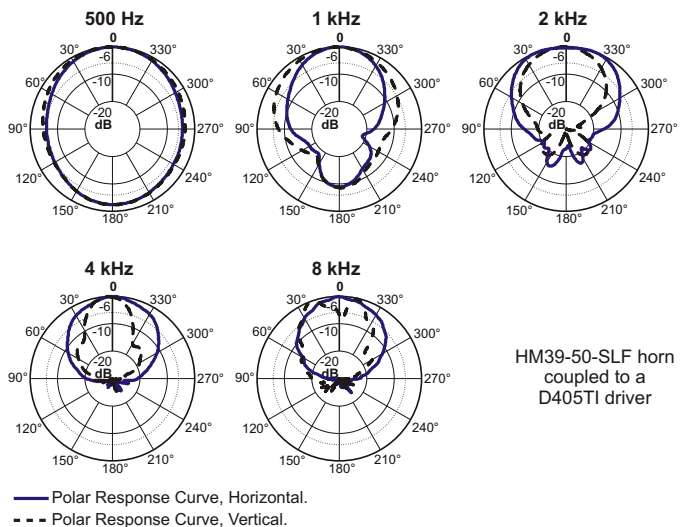
HORN x DRIVER CONNECTION



RESPONSE AND IMPEDANCE CURVES W/ D405TI DRIVER INSIDE AN ANECHOIC CHAMBER, 1 W / 1 m



POLAR RESPONSE CURVE



HM39-50-SLF horn coupled to a D405TI driver

Specifications subject to change without prior notice.

Cod.: 151517 Rev.: 03- 03/05

ELETRÔNICA SELENIUM S.A.
 BR 386 Km 435 - Nova Santa Rita/RS - Brasil -
 CEP 92480-000
 Tel.: 51. 479 4000 Fax: 51. 479 1150
 www.selenium.com.br
 Atendimento Técnico: 0800 514161

FILIAL SÃO PAULO
 Rua Aquinos, 157 - São Paulo/SP - Brasil - CEP 05036-070
 PABX.: 11.2126 6300 Fax: 11.2126 6360

SELENIUM USA / SELENIUM EUROPE
 www.seleniumloudspeakers.com
 Toll Free: 1800 5620510