

Features:

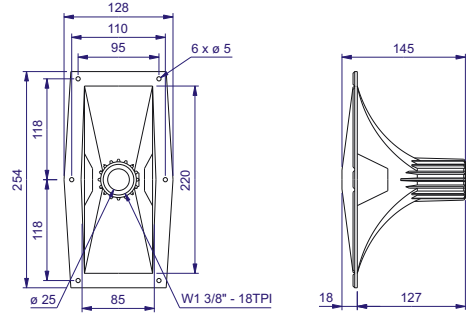
- Plastic exponential horn.
- Compact size.
- 25 mm (1") throat.
- 100°(H) x 40°(V) nominal coverage.
- Stage monitors, side-fill and P.A. applications.



SPECIFICATIONS

Nominal coverage	
Horizontal	100 degrees
Vertical	40 degrees
Directivity	
Directivity factor (Q)	12
Directivity index (Di)	11 dB
Sensitivity	
On driver, 1W @ 1m, on axis ¹	106 dB SPL
Frequency response @ -6 dB ²	1,500 to 15,000 Hz
Throat diameter	25 (1) mm (in)
Minimum recommended crossover ³	600 Hz

¹ Measured with DT150 OEM driver, 2,000 - 8,000 Hz average.
² Measured with DT150 OEM driver.
³ With D250-X driver.



Dimensions in mm.

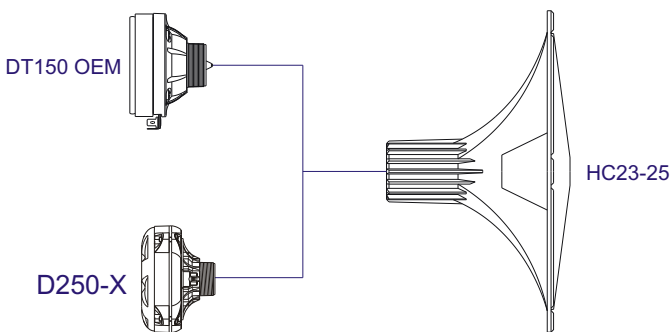
ADDITIONAL INFORMATION

Horn material	ABS plastic
Horn finish	Black
Overall dimensions	
Mouth height	128 (5.04) mm (in)
Mouth width	254 (10.00) mm (in)
Length	145 (5.71) mm (in)
Volume displaced by horn	0,6 (0.021) l (ft ³)
Net weight	340 (0.75) g (lb)
Gross weight	420 (0.93) g (lb)
Carton dimensions (W x D x H)	16 x 16 x 28 (6.3 x 6.3 x 11.0) cm (in)

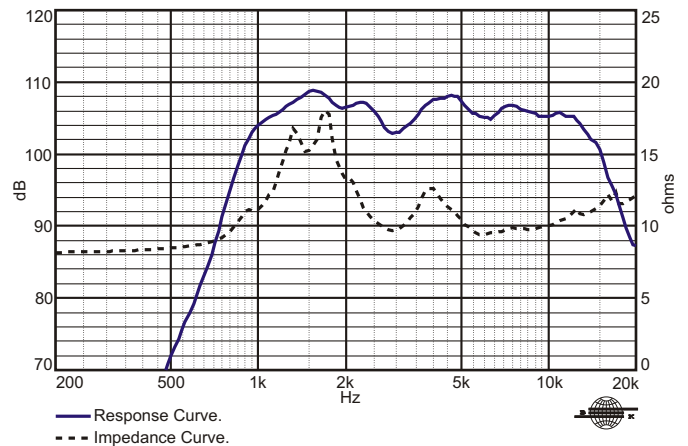
MOUNTING INFORMATION

Mechanical connection of driver	Screw-on 1 ³ / ₈ " - 18 TPI
Baffle cutout dimensions (front mount)	
Horizontal	220 (8.66) mm (in)
Vertical	85 (3.35) mm (in)

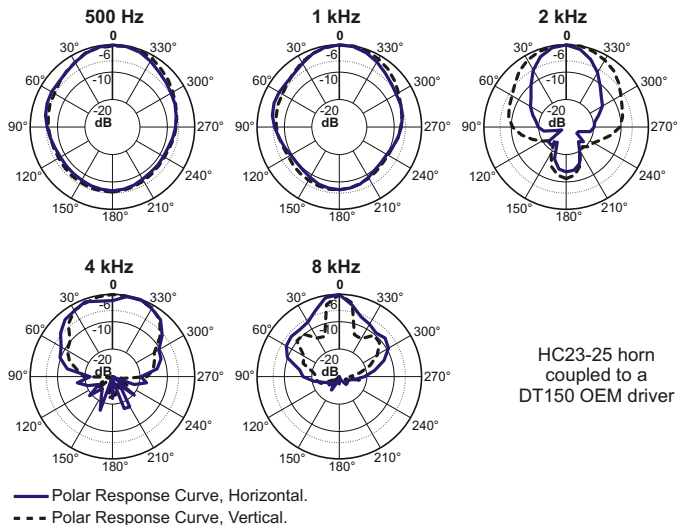
HORN x DRIVER CONNECTION



RESPONSE AND IMPEDANCE CURVES W/ DT150 OEM DRIVER INSIDE AN ANECHOIC CHAMBER, 1 W / 1 m



POLAR RESPONSE CURVE



HC23-25 horn coupled to a DT150 OEM driver