

DUALZDirect

Dual Channel Passive Direct Box

ARTcessories

The DUALZDirect provides two independent high quality totally passive interfaces that let you connect instrument, line, or speaker level signals to a mixer or other balanced inputs through high performance audio isolation transformers. Each of the high impedance single-ended 1/4" inputs is converted by a transformer into an isolated, balanced, low impedance signal output. The DUALZDirect's audio transformers have an extremely flat and wide frequency response and can handle high signal levels. This gives the DUALZDirect a very clean and neutral sound with a wide variety of signal sources and over long signal runs in high noise environments.

The input ATTENUATOR switches allow for a wide range of signal levels and the input THRU jacks allows for tapping off of your signal chain. The GROUND LIFT switches let you totally separate the input and output signal grounds, when appropriate, to isolate two systems, thereby reducing hum and ground-loop noise.

What further sets the DUALZDirect apart from other "DI" boxes are its extended features and versatility. We have added switchable low pass FILTERS that cut out all very high frequency interference. These Bessel filters on the outputs are placed out of the audio range and are primarily intended to reduce radio frequency interference before it gets into the main system. The filters are also very effective in reducing any digital computer noise artifacts when using the DUALZDirect as an interface between a computer-based audio workstation and your monitors. The PHASE INVERT switches, while not normally included with your "run of the mill" DI box, have been added to allow you to switch signal polarity right at the source. This feature is especially handy when you are combining a direct tap with a microphone feed in the mix.

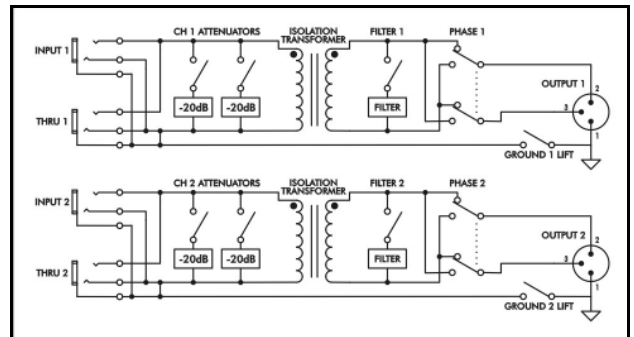
The compact black-anodized all aluminum case and it's passive design allow the DUALZDirect to provide years of trouble free service in Live Sound, Permanent/Fixed Install, D.J., and virtually any PA application. It's full feature set, rugged construction, and high-end specifications make the DUALZDirect the obvious choice.

FEATURES:

- Fully passive, high performance transformer design. No battery required.
- Converts 50k Ohm inputs into 600 Ohm balanced outputs
- Switchable input attenuation (0, -20, -40 dB)
- Switchable low pass filter
- Switchable phase invert
- Switchable ground lift (fully isolates inputs from chassis and outputs)
- XLR connectors for balanced outputs
- Rugged extruded aluminum case

SPECIFICATIONS:

Frequency Response	10 Hz - 50 kHz, ± 0.5 dB @ +4 dBu
THD	.01% typical @ 1 kHz, +18 dBu <.05% @ 100 Hz, +18 dBu
Channel Separation	> 80 dB (typical)
Input Connections	1/4" TRS unbalanced (2), 50 k Ohm
Thru Connections	1/4" TRS (2)
Output Connections	XLR male balanced (2), 600 Ohm
Input Attenuation	Switchable, (0, -20, -40 dB)
Filter Type / Response	Switchable, low pass, -3 dB @ 30 kHz
Dimensions	1.85 H x 4.6 W x 3.9 D (in) 47 H x 117 W x 99 D (mm)
Weight	0.88 lbs / 0.40 kg



INSTALLATION and OPERATION:

- 1) Connect your instrument, line, or speaker level signal to either of the **INPUT 1** or **2** 1/4" TRS phone jacks. Connect one end of a phone jack cable to the corresponding **THRU** 1/4" TRS phone jack and the other end to where your signal was going to, if connecting the DUALZDirect inline in the signal path. Repeat for the other **INPUT** and **THRU** jacks if desired.
- 2) Connect a balanced line cable between the corresponding **OUTPUT 1** or **2** male XLR connector on the rear panel and the balanced inputs of your audio gear. Repeat for the other **OUTPUT** if desired.
- 3) Set the input **ATTENUATOR** switches for best signal strength and clarity. Select the **FILTER** if desired (it won't affect normal audio frequencies). Select the **GROUND LIFT** feature to lower hum and other ground loop noise, if present. The **PHASE INVERT** feature may be used to correct phase error problems elsewhere in the audio system.