

Technical Information

No. DO 5572

Edition: 08/07 - subject to change

Supersedes: Edition /
Status: valid



Metal Halide Lamp

HMI[®] 575 W/DXS

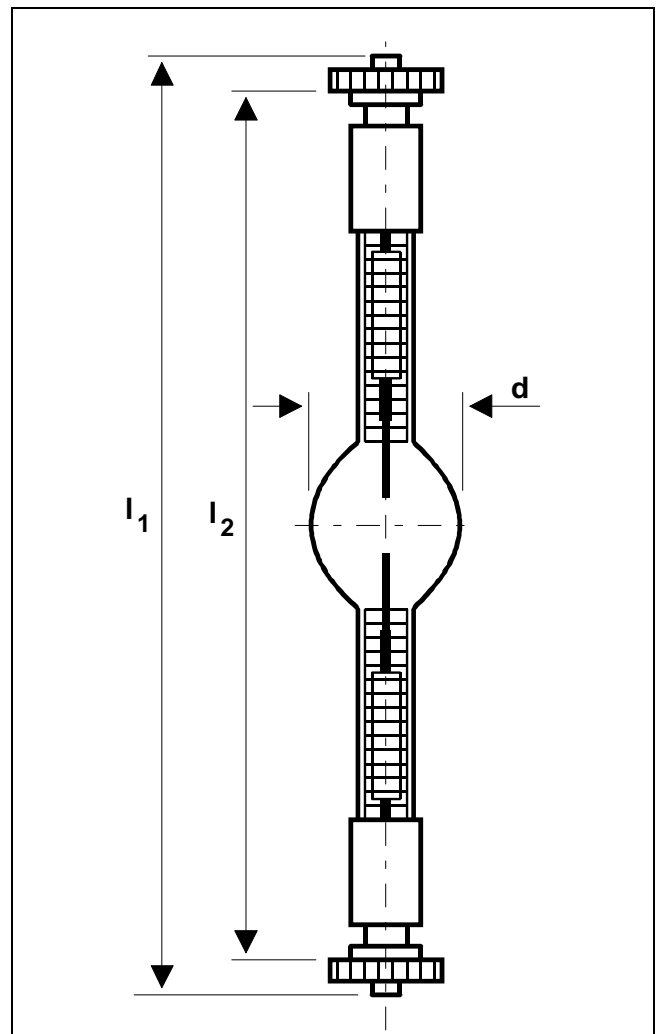
■ Product description

The OSRAM HMI[®] 575 W/DXS is a double-ended metal halide lamp. Due to its very short arc length a high luminance and efficacy is achieved. The OSRAM “eXtreme Seal” Technology enables higher pinch temperatures up to max. 450°C. The HMI[®] 575 W/DXS is designed for hot restart.

■ Technical data

Lamp / order reference	HMI [®] 575 W/DXS	
Rated lamp wattage	W	575
Lamp voltage	V	95
Ignition voltage (cold, kHz ign.)	kV	4.5
Ignition voltage MHz (cold / hot)	kV _s	7 / 20 (max. 25 *)
Ignition voltage kHz	kV _s	4,5
Lamp current (~)	A	7
Luminous flux	lm	49,000
Luminous efficacy	lm/W	85
Color temperature	K	6,000
Electrode gap e (cold)	mm	7
Lamp length l ₁ (over all)	mm	max. 135
Lamp length l ₂	mm	115
Bulb diameter d	mm	21
Average service life	h	1,000
Base	SfC10-4	

* maximum peak value of surge voltage



■ Lamp operation

Maximum permissible pinch seal temperature °C 450 / with eXtreme Seal Technology (measured on Moly-foil/welding)

Cooling Convection

Burning position any

The HMI[®] 575 W/DXS can either be operated on standard ballasts or on electronic power supplies (ECG).

■ Manufacturers of igniters and control gear (not all officially approved by OSRAM)

Igniters: BAG MZN 10.005; Bauch 250K; Hansmann ZG 500 PRO and ZG 501 PRO; Mitronic ZGV 40-11

Ballasts: May & Christe Typ HMI 575 W; BAG 230BK575; Vossloh Schwabe J575.400; irem BE-575; Sachtler Ballast 575

ECGs: LEJ ebm 575; Mitronic PE 400-575, CE 50-575, PFPE60 Line; Sachtler Netronic 575; Hansmann ER 575 and EFR 575; Schiederwerk 400/575, 575/700

Technical Information

No. DO 5572

Edition: 08/07 - subject to change

Supersedes: Edition /

Status: valid



Metal Halide Lamp

HMI[®] 575 W/DXS

Further information on operating and control device requirements is available with the OSRAM brochure "Guidelines for Control Gear and Igniters - Metal Halide Lamps Photo Optics", order reference 123T01E.