

Technical Information

No. DO 5574

Edition: 08/07 - subject to change

Substitutes: /

Status: valid



Metal Halide Lamp

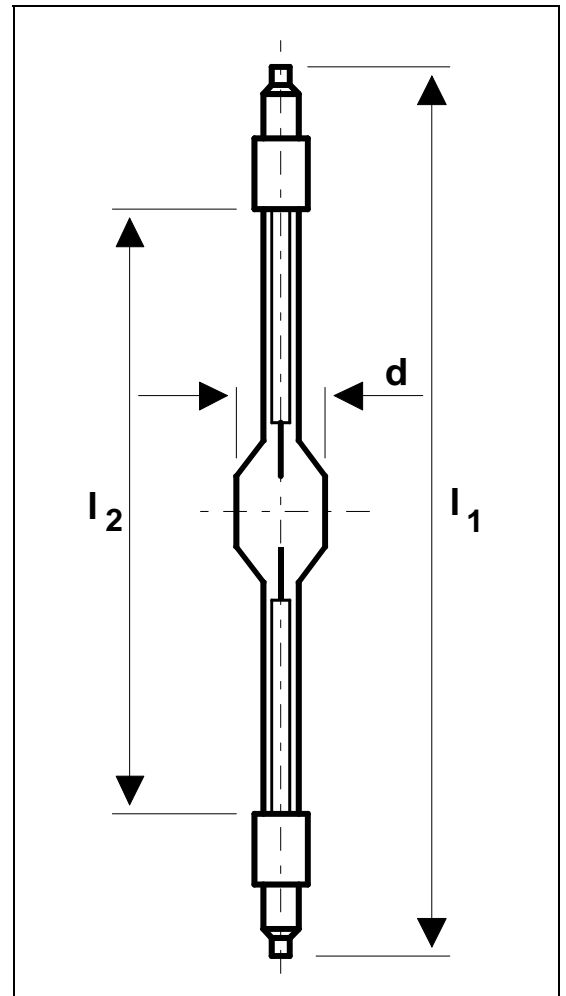
HMI[®] 4000 W/DXS

■ Product description

The OSRAM HMI[®] 4000 W/DXS is a double-ended metal halide lamp. Its funnel shaped burner is especially designed for super quiet operation on electronic power supplies. The HMI[®] 4000 W/DXS is mainly used in film and TV lighting, show and effect lighting and solar simulation.

■ Technical data

Order reference		HMI [®] 4000 W/DXS
Rated lamp wattage	W	4,000
Rated lamp voltage	V	200
Rated lamp current (~)	A	24
Ignition voltage MHz (cold / hot)	kV _s	8 / 65
Ignition voltage kHz	kV _s	5
Luminous flux	lm	380,000
Luminous efficacy	lm/W	95
Color temperature	K	6,000
Color rendering index	Ra	> 90
Light arc length	mm	34
Lamp length (overall) l_1	mm	max. 405
Lamp length l_2	mm	340
Bulb diameter d	mm	36
Average service life	h	500
Base		SFa 21-12



■ Lamp operation

Maximum permissible base temperature °C 450 / with eXtreme Seal Technology (measured on Moly-foil/welding)

Cooling Convection

Burning position horizontal $\pm 15^\circ$, p15

The HMI[®] 4000 W/DXS can either be operated on standard ballasts or on electronic power supplies (ECG).

■ Manufacturers of igniters and control gear (not all officially approved by OSRAM)

Igniters: I.R.E.M. AD-3065, sAD-3065; Bauch 276, 940

Ballasts: ARRI L2.75839.0; I.R.E.M. BC-4000; LTM 501 701; Lumo UB 4 KW, 510-054; RDS BU-4000 EP

ECGs: ARRI L2.76135.F; B&S EB 4000C; DE SISTI DEB 4000; I.R.E.M. EB-4000, sEB-4000; LTM 501 530; Sansha SG-4000, Super 4KW; Strand 65 209 760; Lightmaker T.L. 4000

Further information on operating and control gears requirements is available with the OSRAM brochure "Guidelines for Control Gear and Igniters - Metal Halide Lamps Photo Optics", order reference 123T01E.