

Technical Information

No. FO 4756

Edition: 11/04 - subject to change

Substitutes: 02/02

Status: valid

Metal Halide Lamp

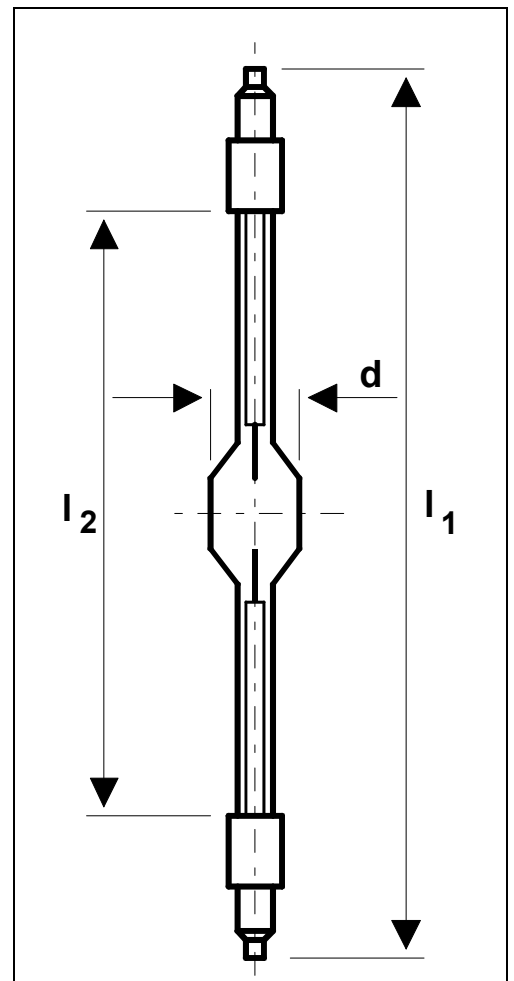
HMI[®] 2500 W/GS

■ Product description

The OSRAM HMI[®] 2500 W/GS is a double-ended metal halide lamp. Due to its short electrode gap (GS = gap shortened) the lamp is characterized by a high luminance and luminous efficacy. The HMI[®] 2500 W/GS is hot restartable.

■ Technical data

Order reference		HMI [®] 2500 W/GS
Rated lamp wattage	W	2,500
Rated lamp voltage	V	115
Rated lamp current (~)	A	25.6
Ignition voltage (cold / hot)	kV _s	5 / 45 (max. 55)
Luminous flux	lm	240,000
Color temperature	K	6,000
Color rendering index	Ra	> 90
Electrode gap e	mm	14
Lamp length (overall) l ₁	mm	355
Lamp length l ₂	mm	290
Bulb diameter d	mm	31.5
LCL a	mm	145
Average service life	h	500
Base		SFa 21



■ Lamp operation

Maximum permissible base temperature	°C	230
Cooling		Convection
Burning position		horizontal ± 30°, p 30

The HMI[®] 2500 W/GS can either be operated on standard ballasts or on electronic power supplies (ECG).

■ Manufacturers of igniters and control gear (not all officially approved by OSRAM)

Igniters:	BAUCH 905 and 922, Vagnini 25100K
Ballasts:	Power Gems EB 250 and 250 CD, Vagnini AL 2500
ECGs:	May & Christe HMI 2500W-5i, LEJ ebm 2500, DESISTI 2425

Further information on operating and control gears requirements is available with the OSRAM brochure "Guidelines for Control Gear and Igniters - Metal Halide Lamps Photo Optic", order reference 123T01E.