

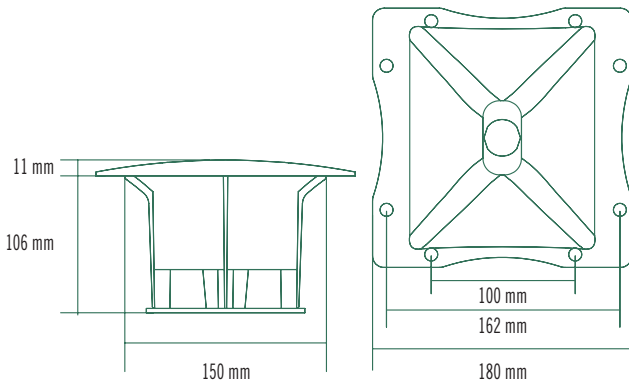
# HORN HF101

Professional High Frequency Horn

PART NUMBER **13133048**

## Features

- 1-inch Throat Diameter
- 90° x 70° Constant Directivity Coverage
- Loading down to 1000 Hz
- Aluminum Body
- Perfectly Controlled Dispersion

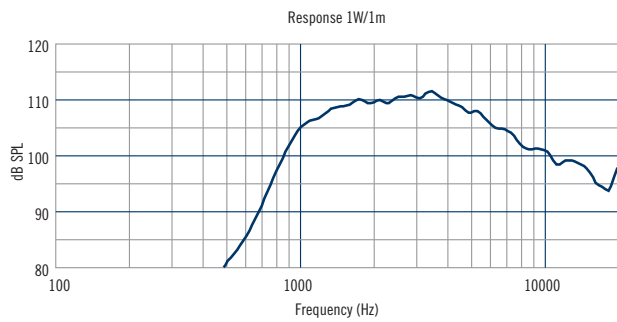


## General Specifications

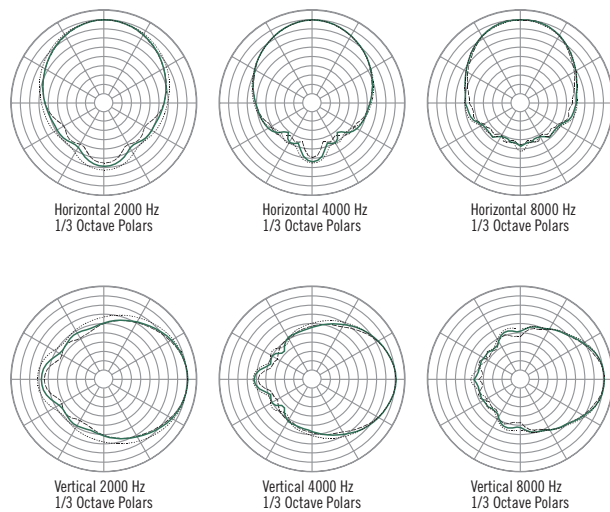
Throat Diameter	25.4/1.0	mm/inch
Nominal Coverage (-6dB)	90x70	
Cut-off Frequency	1000	Hz
Material	Aluminum	

## Mounting Information

Overall Dimensions	180x180	mm
Baffle Cut-out Dimensions	150x2150	mm
Total Depth	90	mm
Driver Mounting		
4 x 6.5 mm holes	76	mm
Net Weight	0.7	kg
Shipping Weight	0.9	kg



Frequency response curve of the horn measured on axis at distance of 1 meter with 1 watt signal, in an anechoic environment, with ND1411-M compression driver.



1000

20000

20

100

1.000

10.000

20.000