







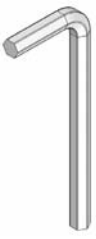



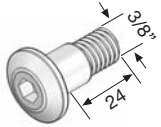
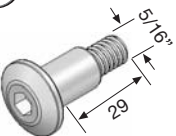






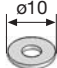
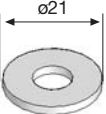





Telescopic PROJECTOR CEILING MOUNT

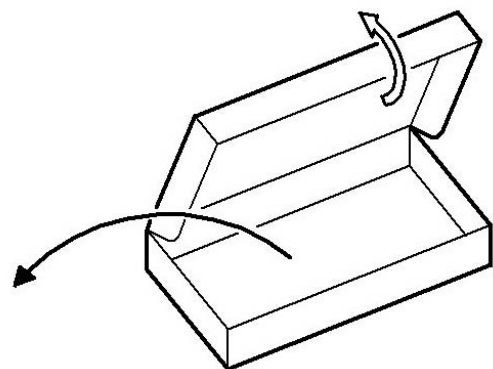
Safety & assembly instructions



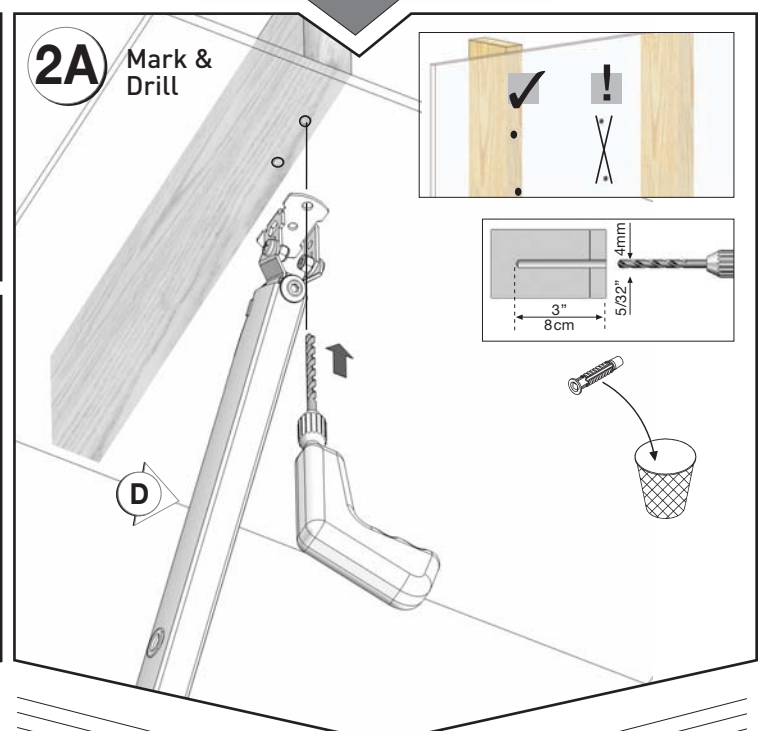
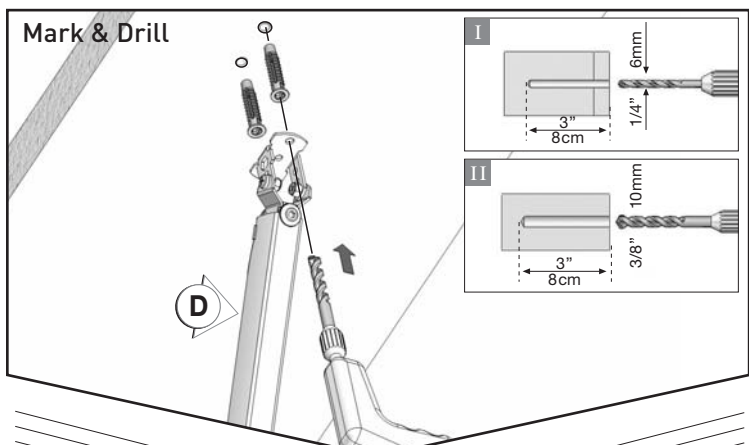
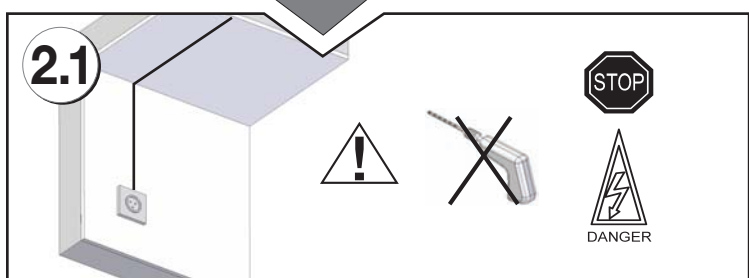
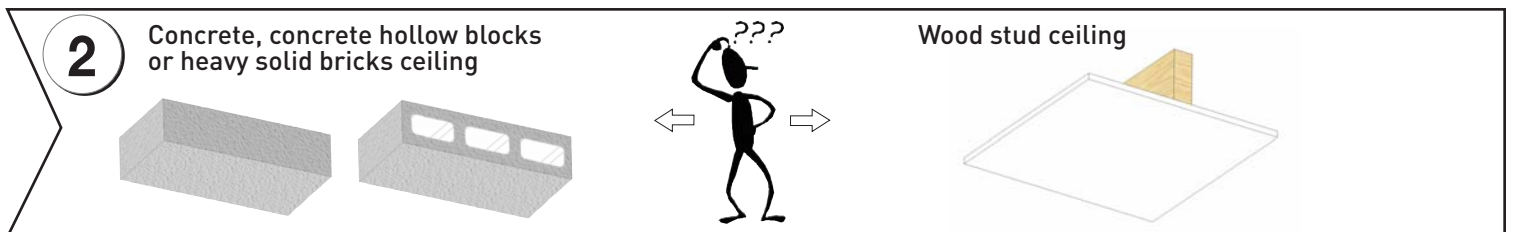
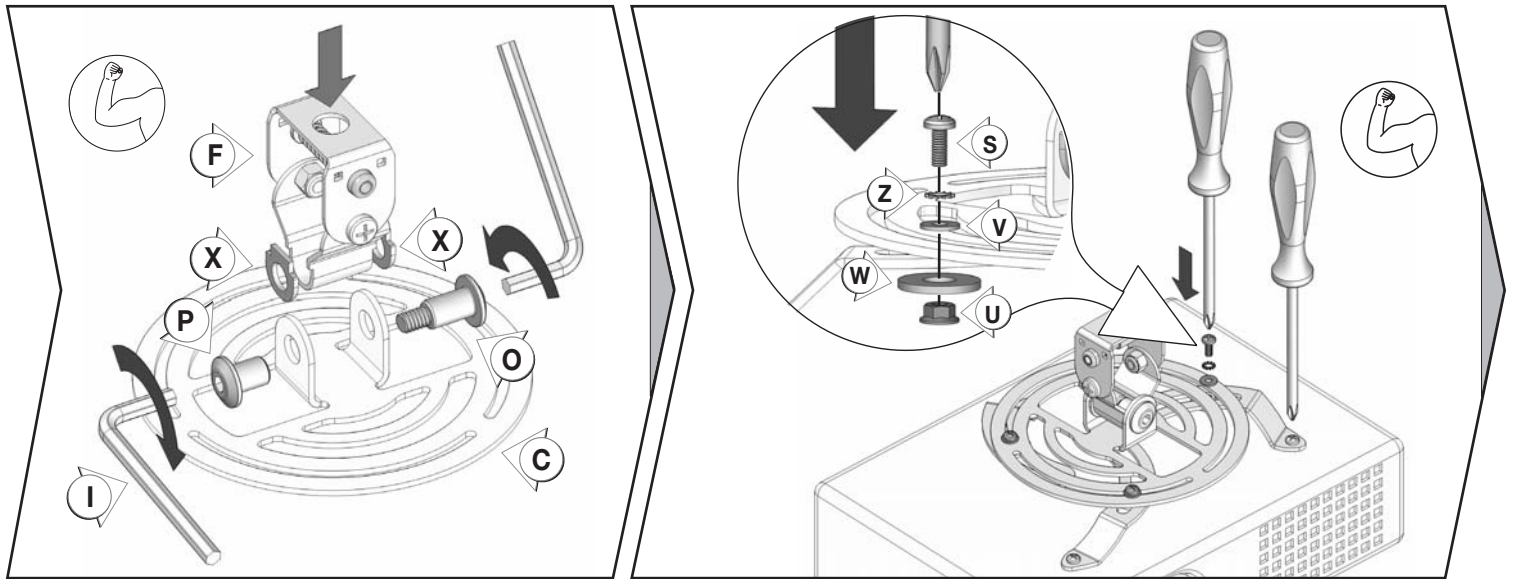
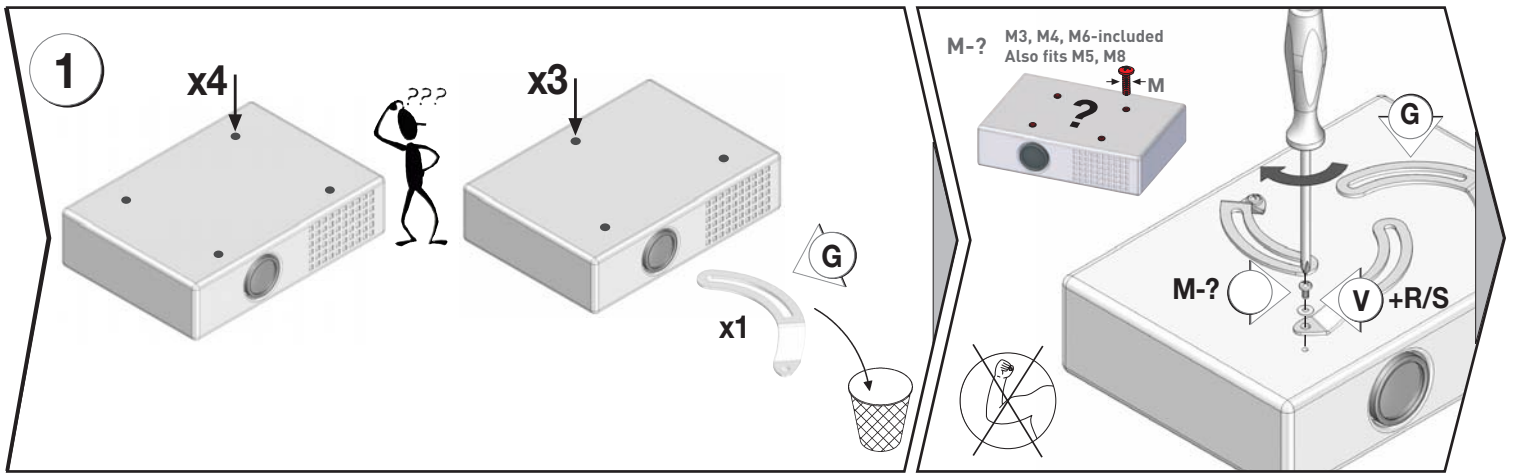
Max	US	EU
	25lbs	11kg

1 : 5	A  x2	B  x2	C  x1	D  x1	E  x1	
	F  x1	G  x4	H  x3			
	I  x2	J  60mm x2	K  x2	L  $\phi 12.5$ x2	N  $\frac{3}{8}$ 24 x2	
	O  $\frac{5}{16}$ 29 x1	P  $\phi 1$ x1	Q  x1	R  M3 10 x4	S  M4 10 x8	T  M6 10 x4
	U  x4	V  $\phi 10$ x8	W  $\phi 21$ x4	X  x2	Y  x3	Z  x4

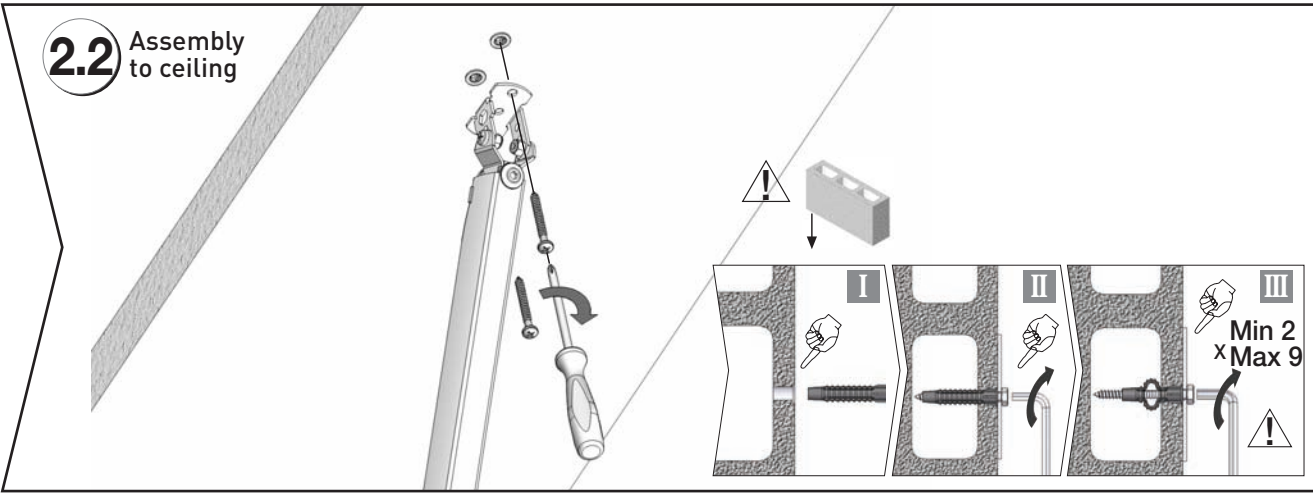
1 : 1



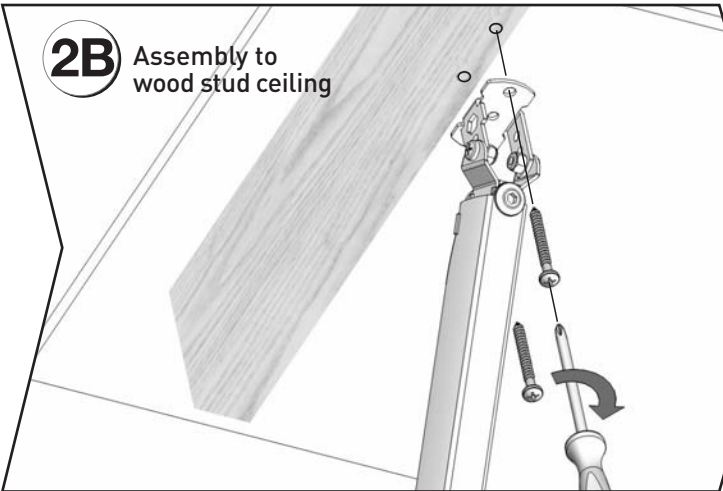
Please make sure that package contains all parts



2.2 Assembly to ceiling

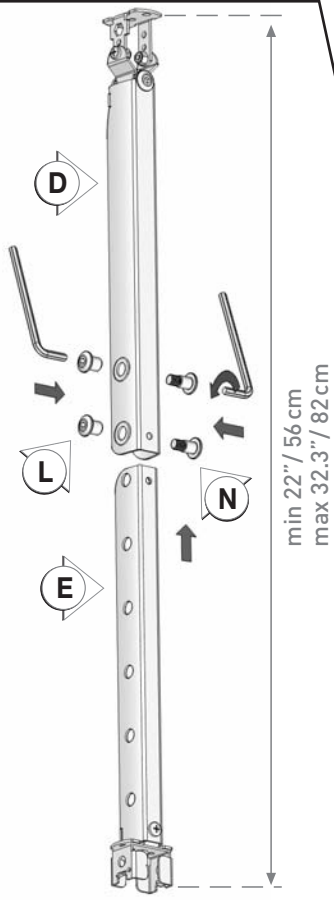
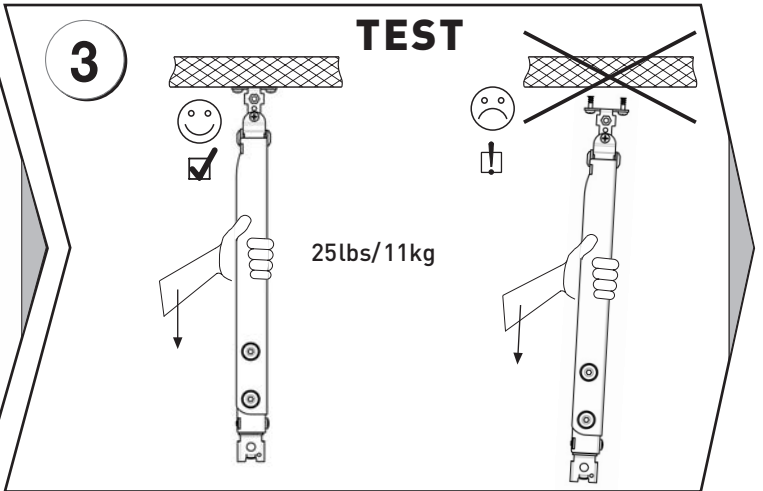


2B Assembly to wood stud ceiling



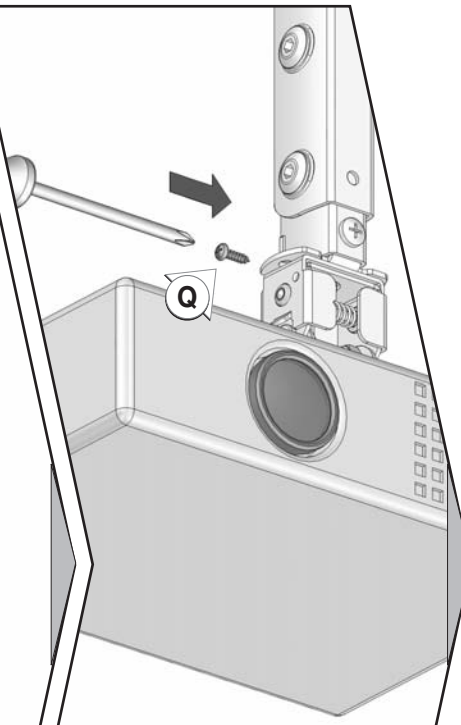
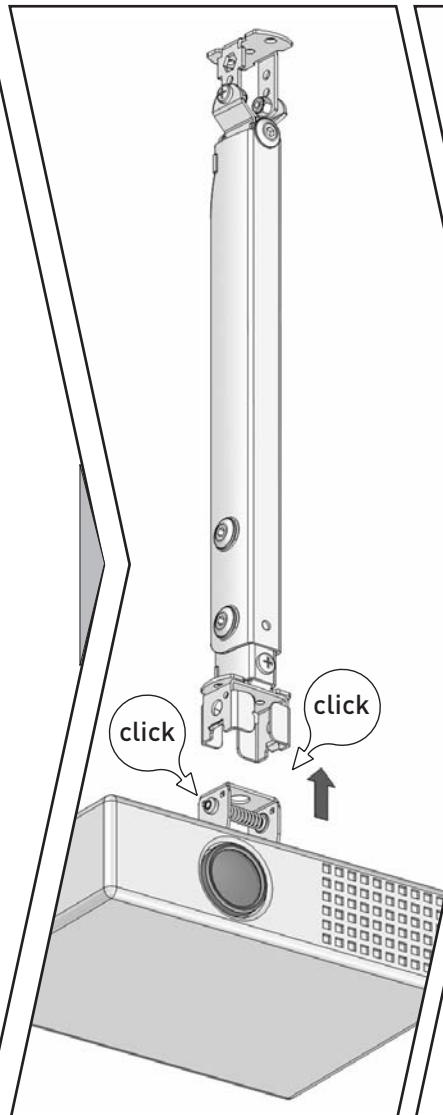
3

TEST

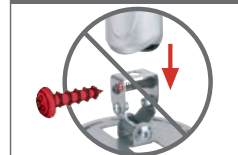


HEIGHT ADJUSTMENT

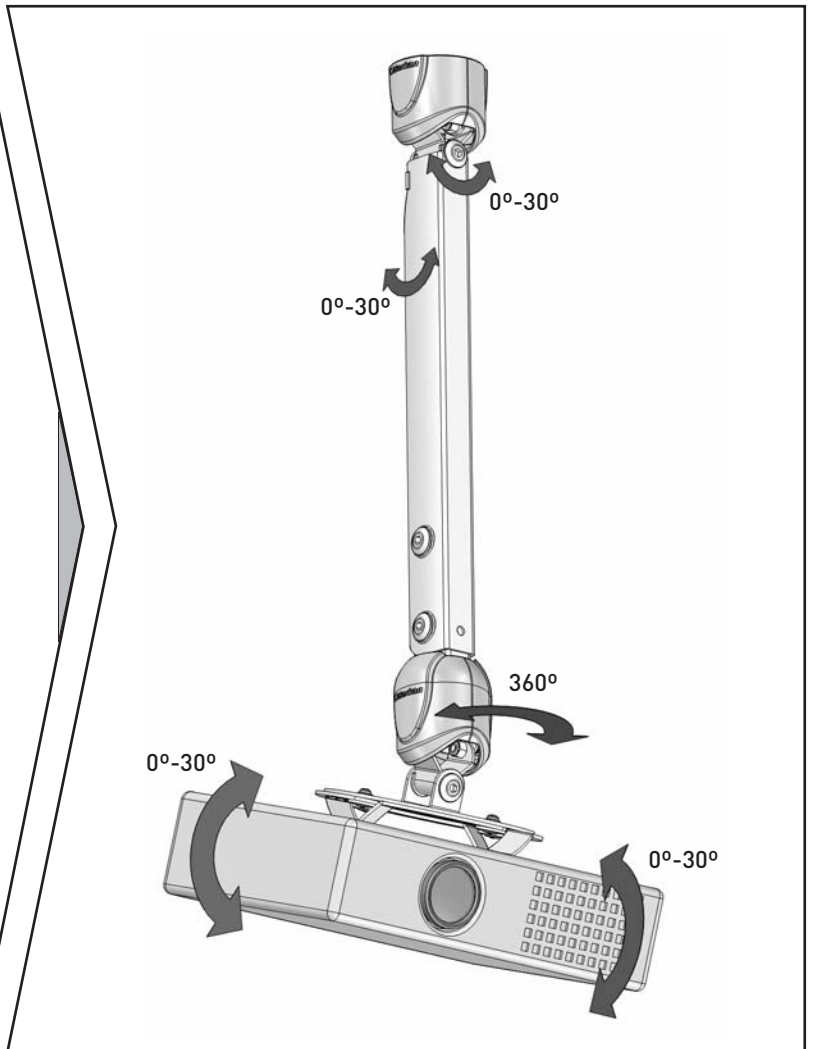
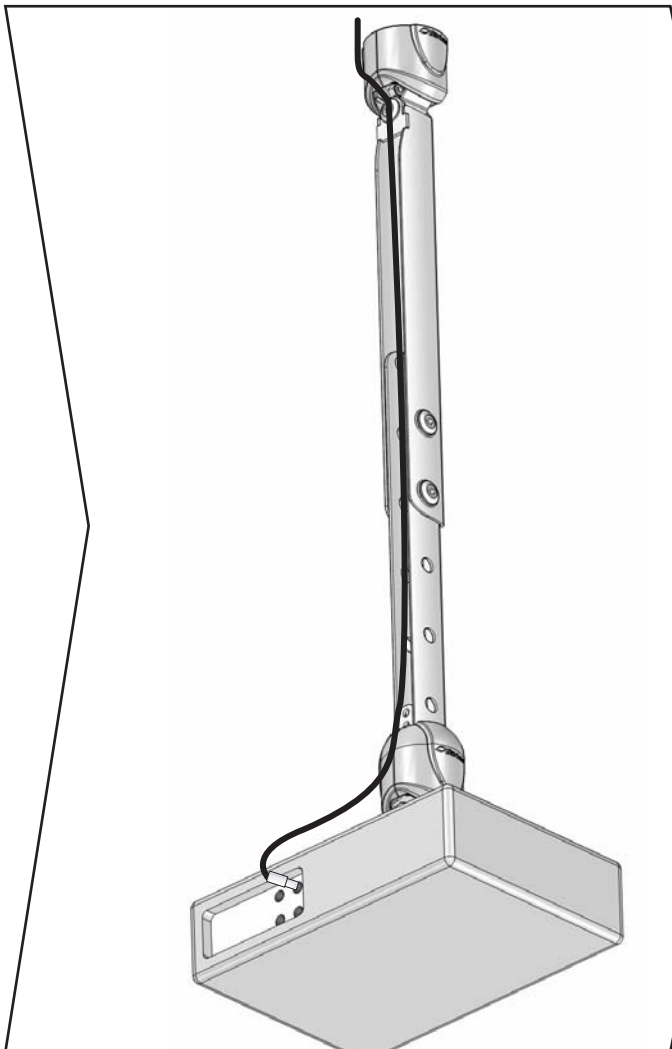
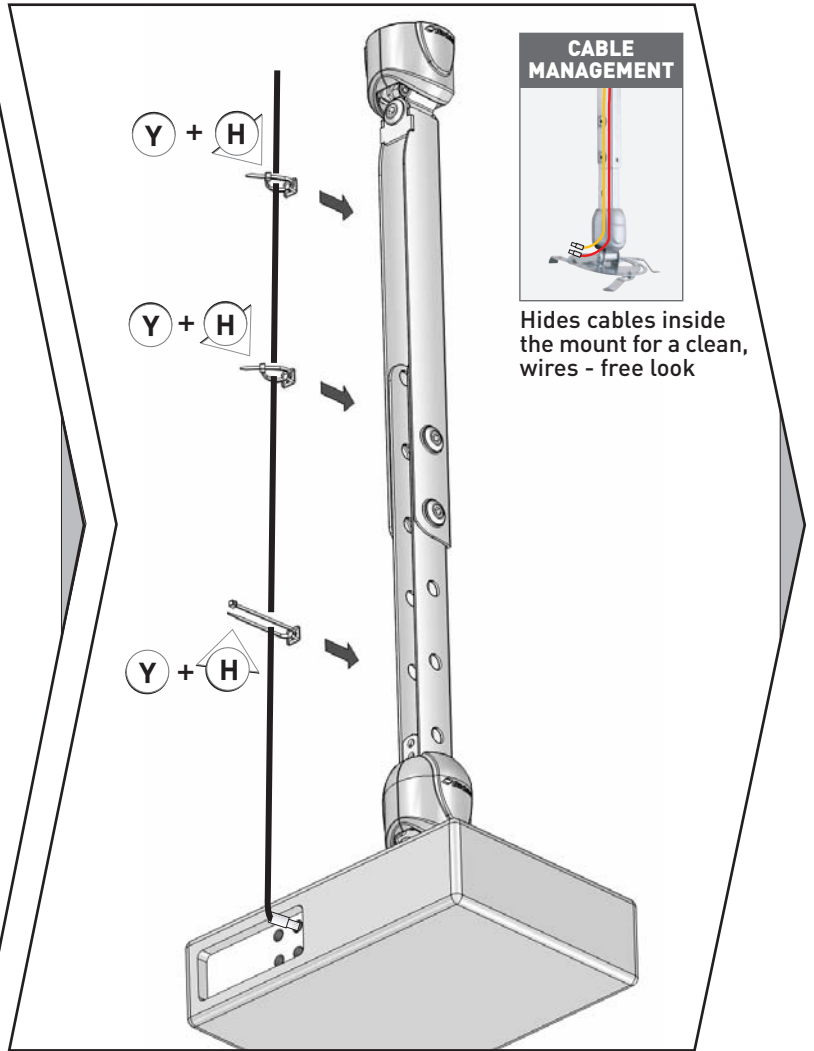
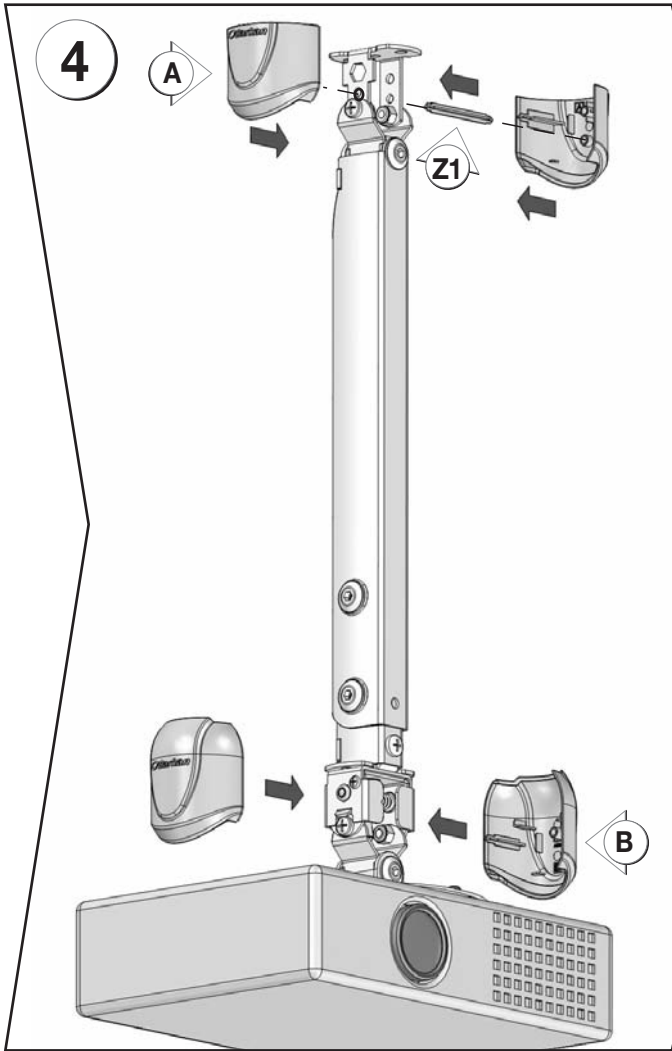
Telescopic mount enables height adjustment for enhanced viewing pleasure



FALL PROOFING



Secure safety catch system, prevents projector from unintentional dismantling



Instructions for disconnecting your projector

save for future reference

