





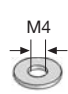

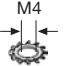


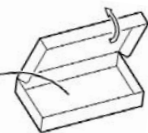






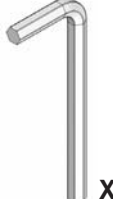
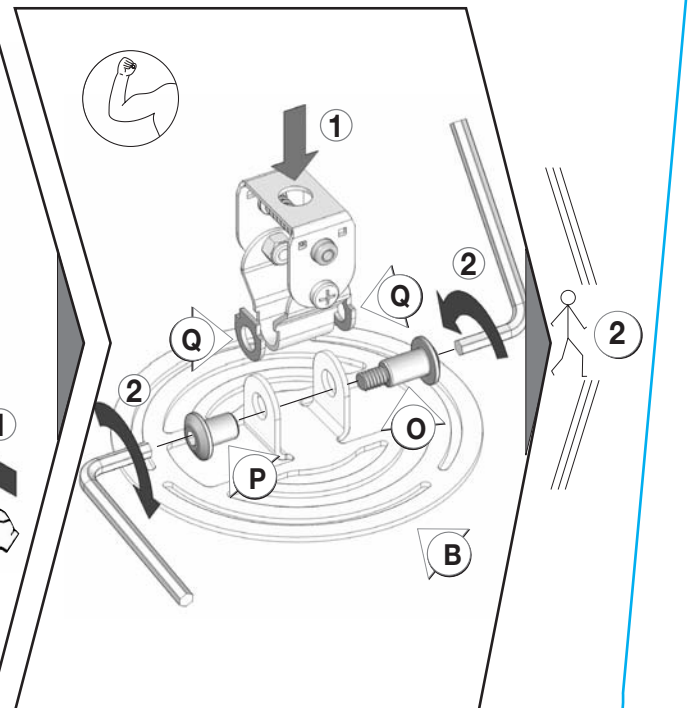
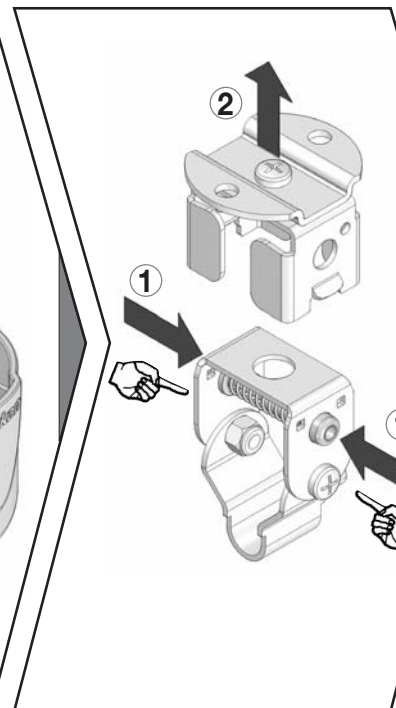
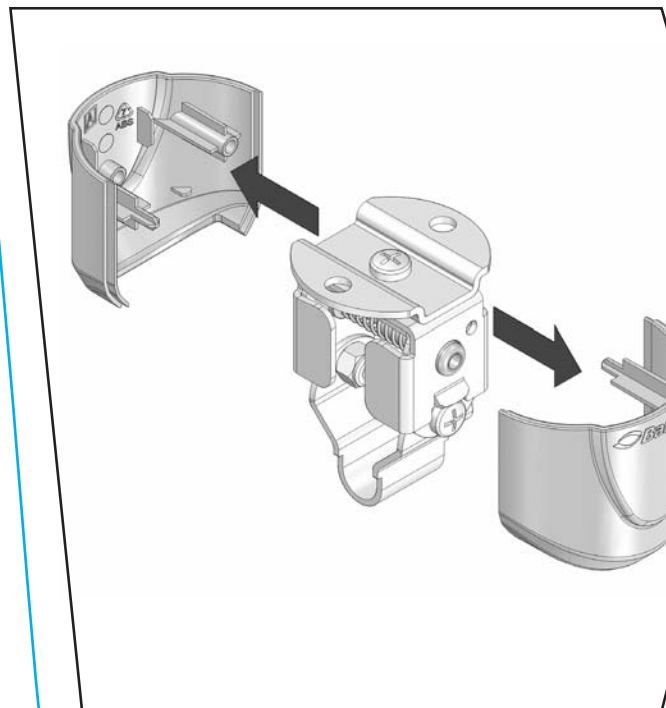
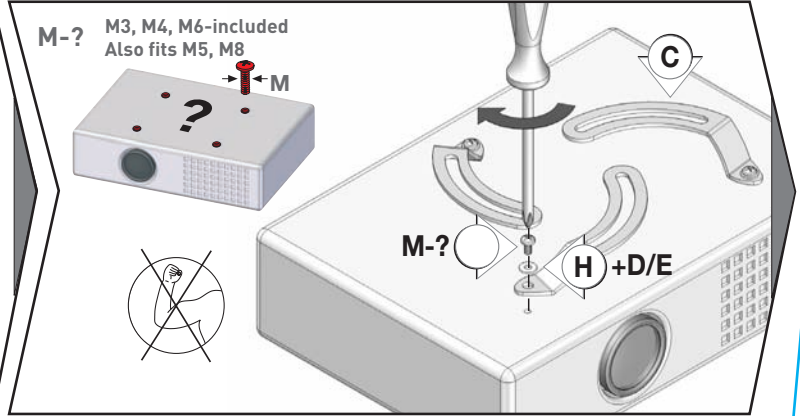
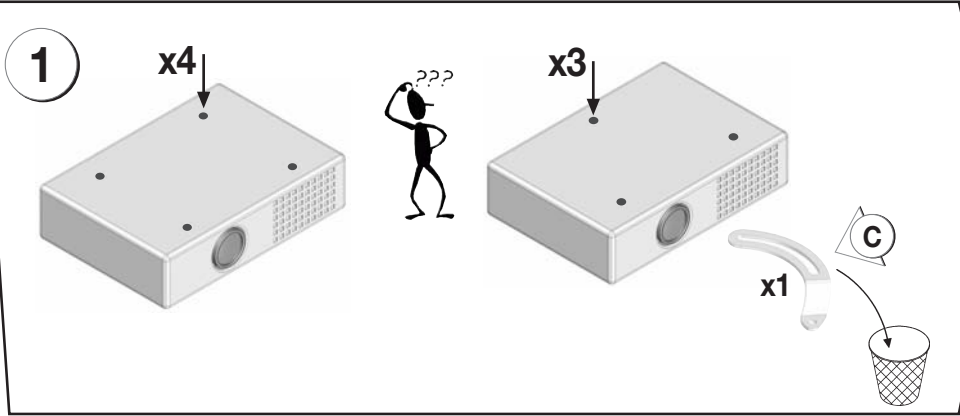


90
model

PROJECTOR CEILING MOUNT

Max Weight
25 lbs
11kg

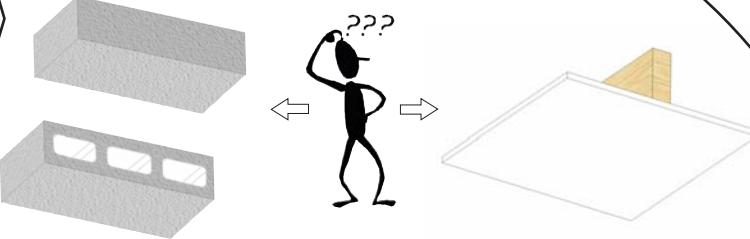
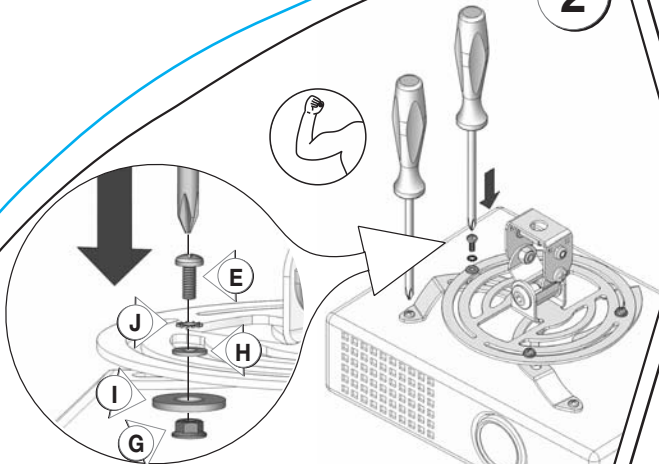
<p>A</p>  <p>x1</p>	<p>B</p>  <p>x1</p>	<p>D</p>  <p>x4</p>	<p>E</p>  <p>x8</p>	<p>F</p>  <p>x4</p>	<p>G</p>  <p>x4</p>	<p>H</p>  <p>x8</p>	<p>I</p>  <p>x4</p>	<p>J</p>  <p>x4</p>	<p>K</p>  <p>x1</p>
<p>???</p> <p>Please, make sure that package contains all parts</p>  	<p>C</p>  <p>x4</p>	<p>L</p>  <p>x2</p>	<p>N</p>  <p>x2</p>	<p>O</p>  <p>x1</p>	<p>P</p>  <p>x1</p>	<p>Q</p>  <p>x2</p>	<p>R</p>  <p>x2</p>		



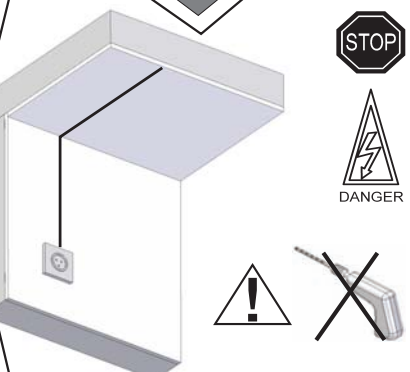
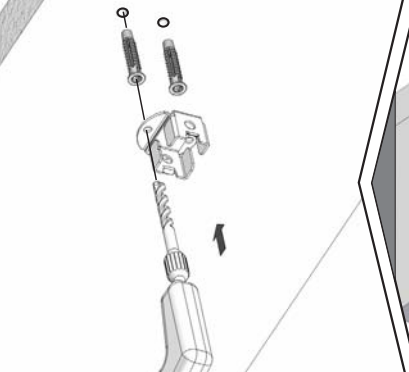
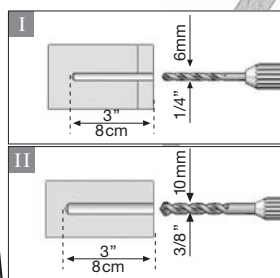
2

Concrete, concrete hollow blocks or heavy solid bricks ceiling

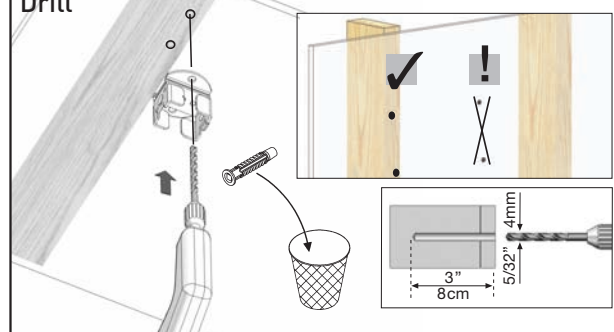
Wood jstud ceiling



Mark & Drill

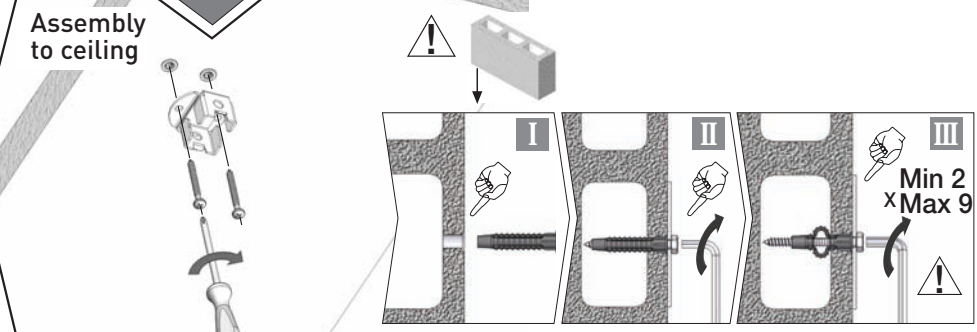


Mark & Drill



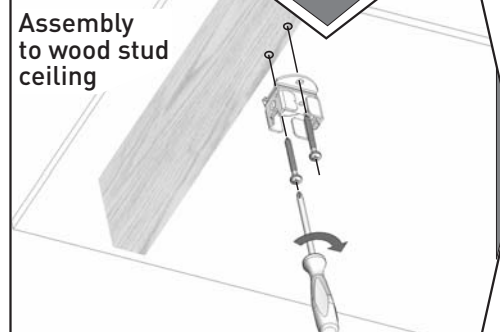
Assembly to ceiling

3

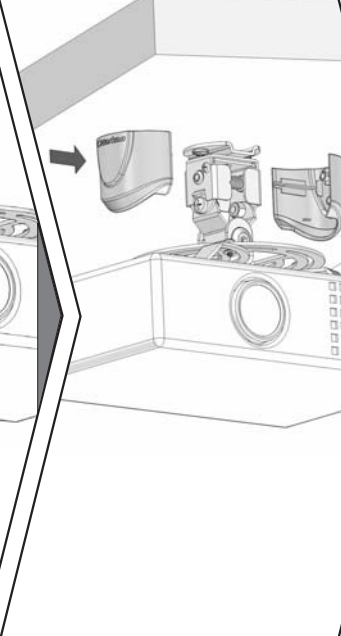
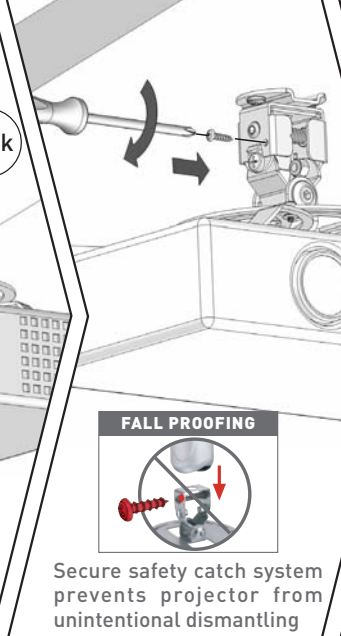
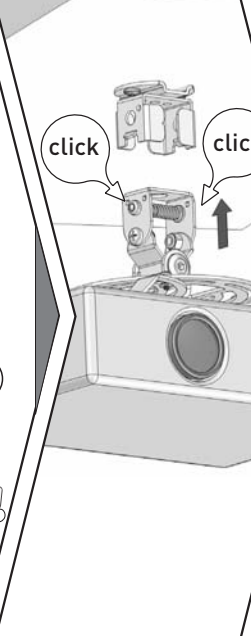
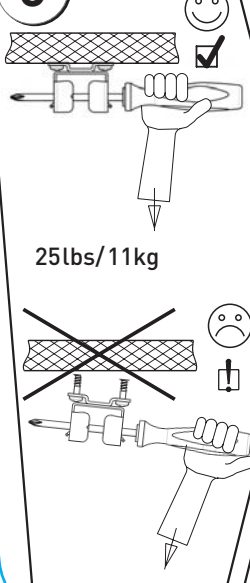


Assembly to wood stud ceiling

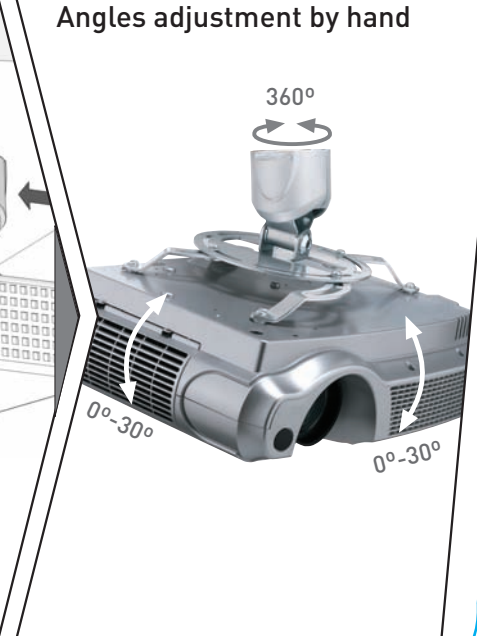
3



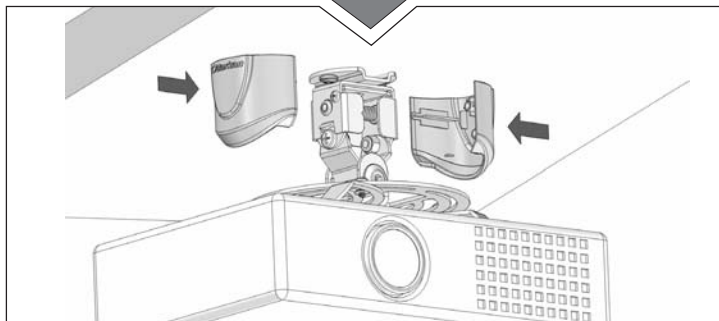
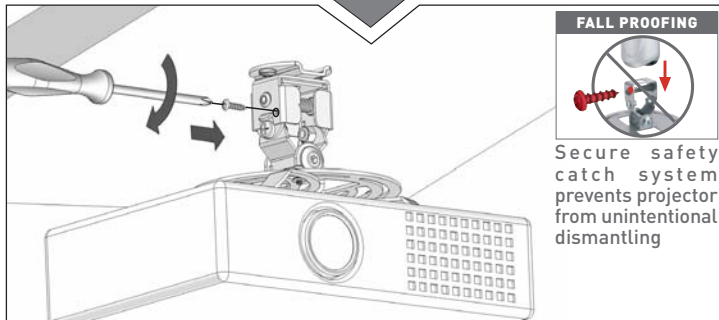
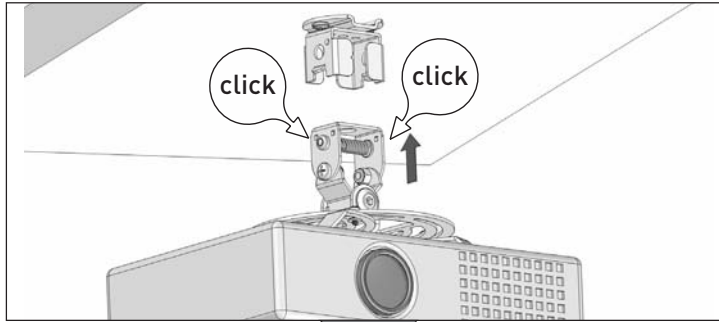
3 TEST



Angles adjustment by hand

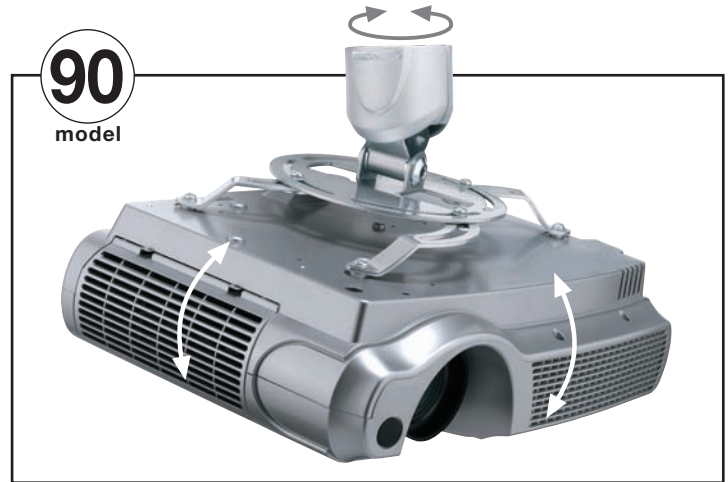


Connecting



Instructions for disconnecting & connecting your projector

save for future reference



www.barkanmounts.com

Barkan *A better point of view*
Mounting systems

Disconnecting

