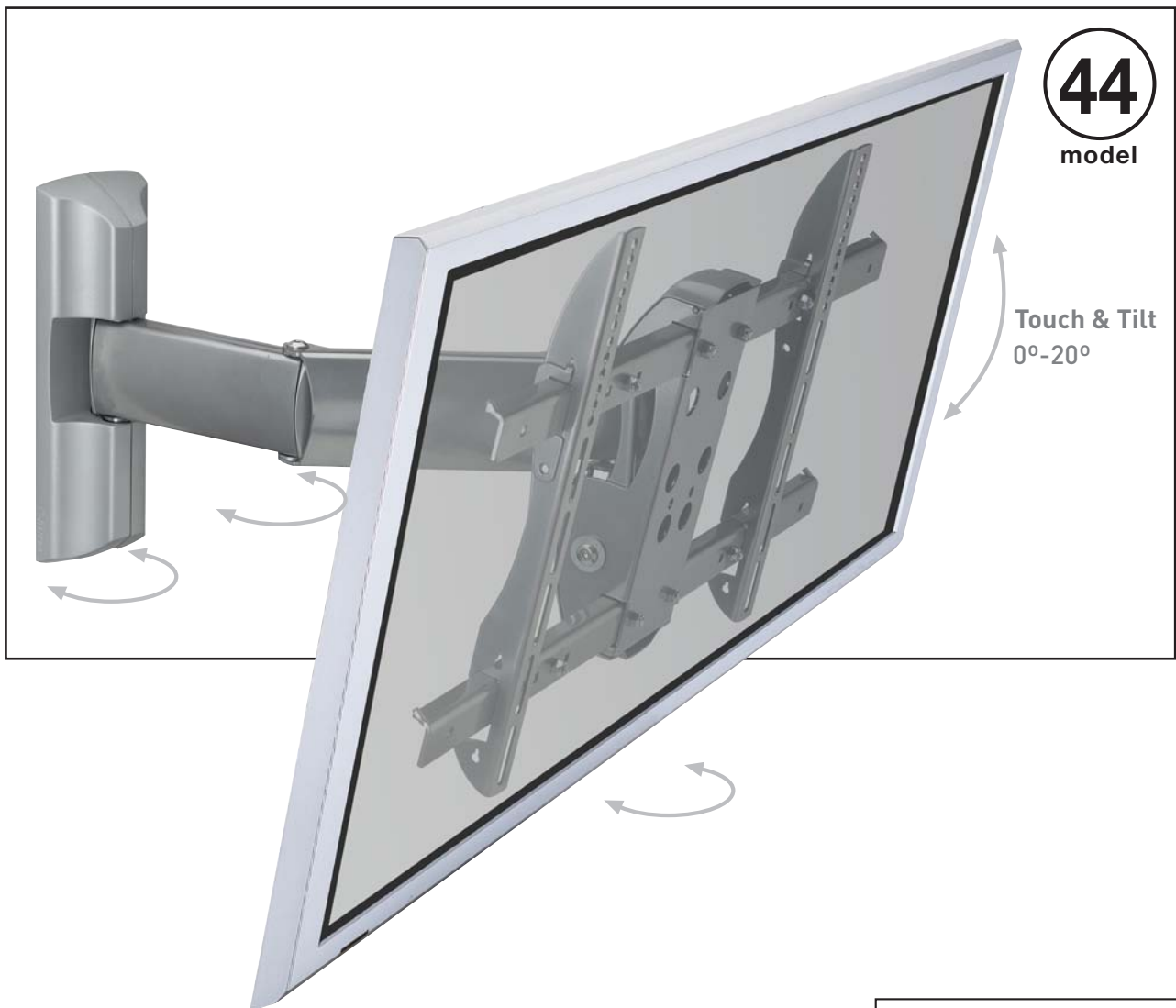


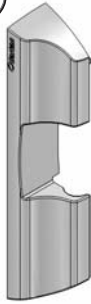







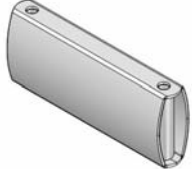
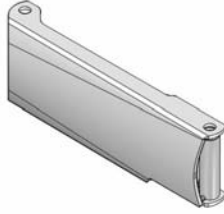
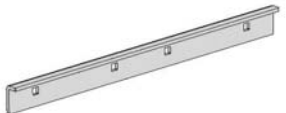
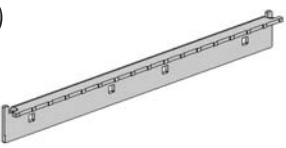

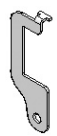





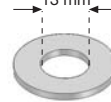
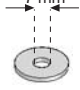
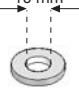

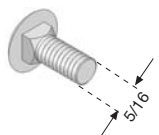
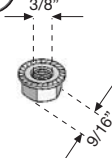
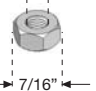
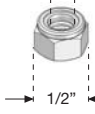


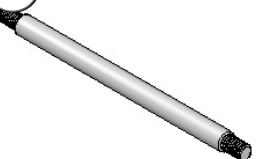




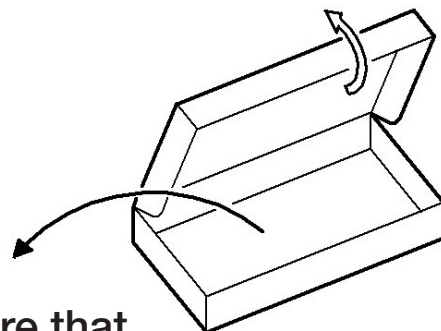
# 4 Movement PLASMA/LCD WALL MOUNT

Safety & assembly instructions

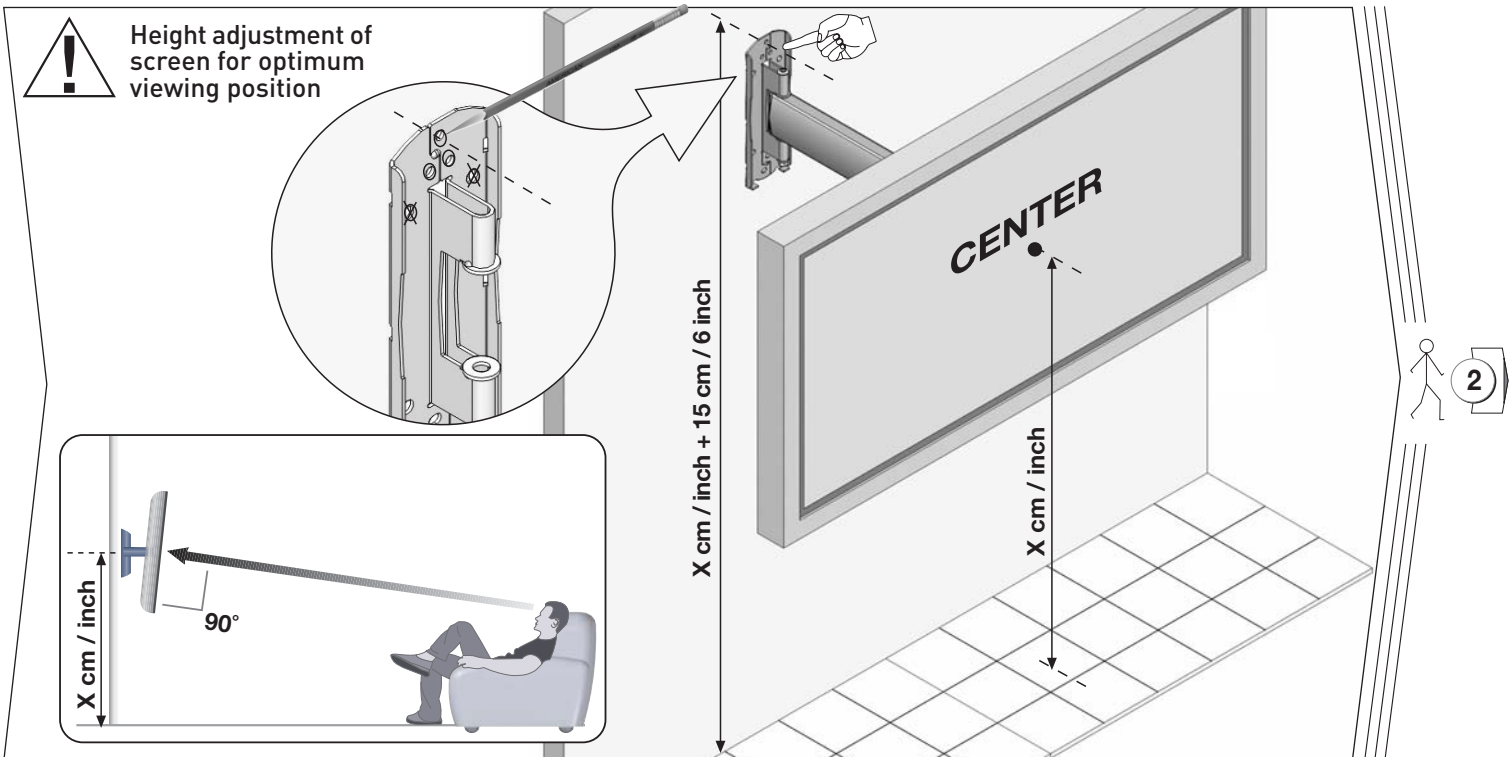
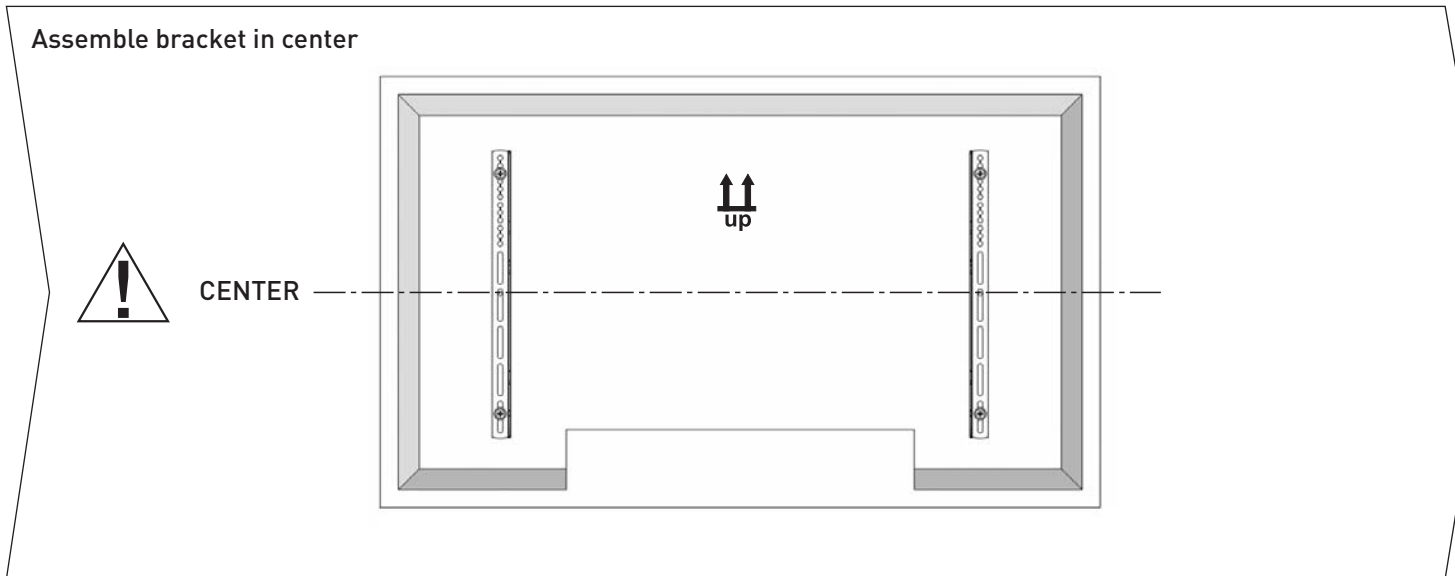
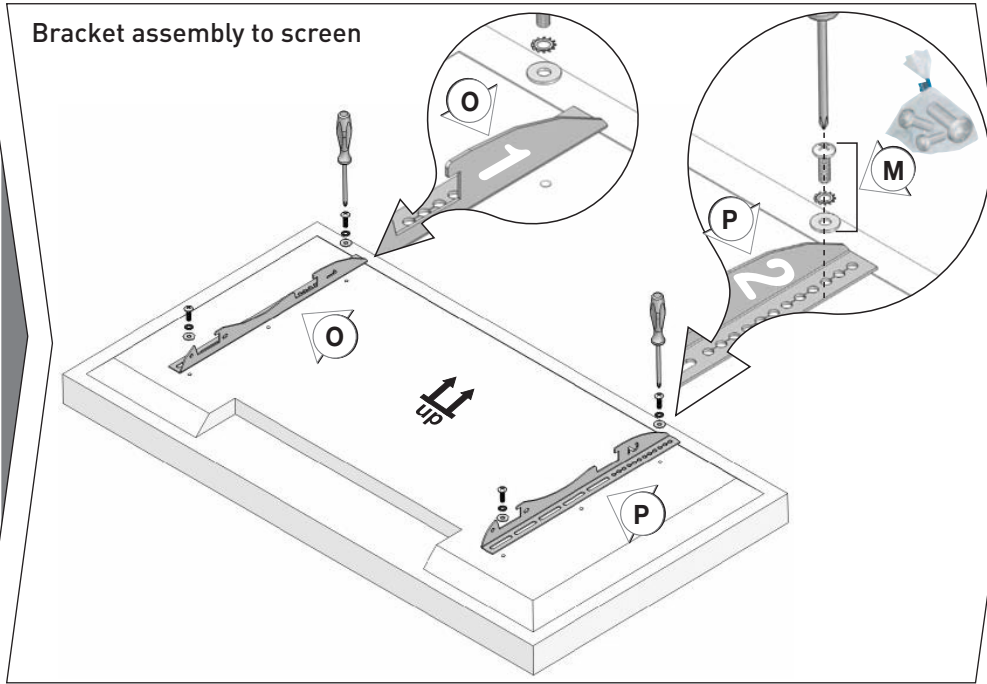
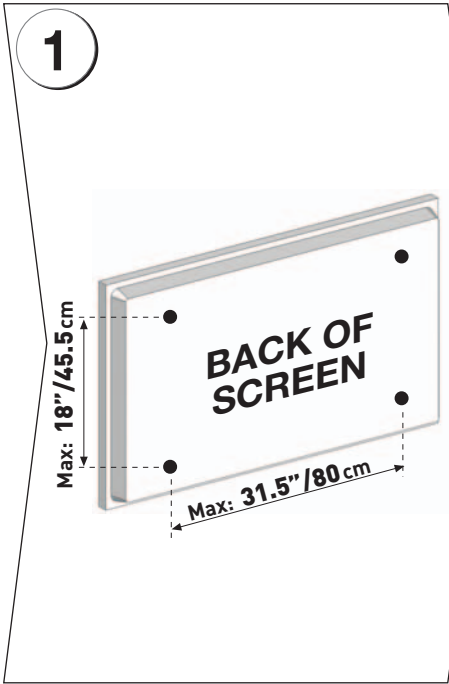


Max Plasma / LCD		
<b>50" / 127cm</b>		
 Max	US	EU
	132lbs	60kg

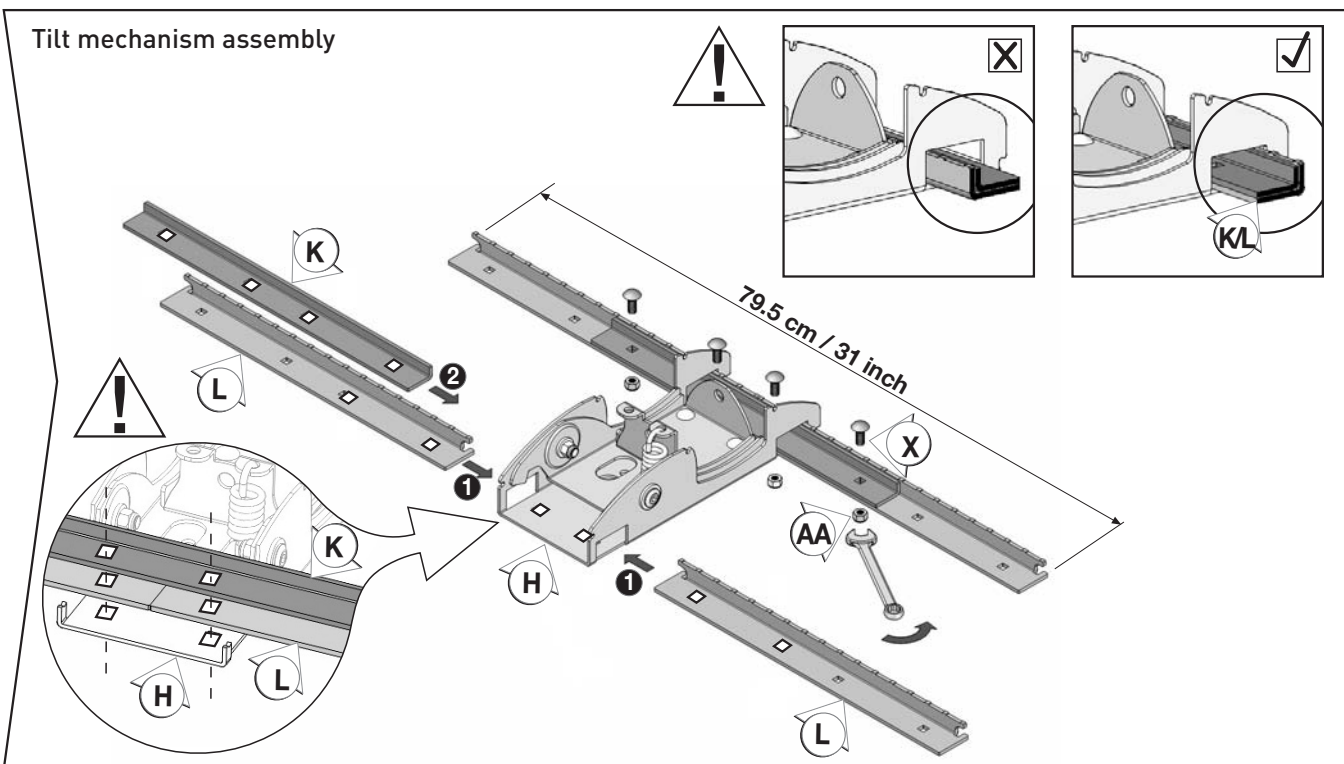
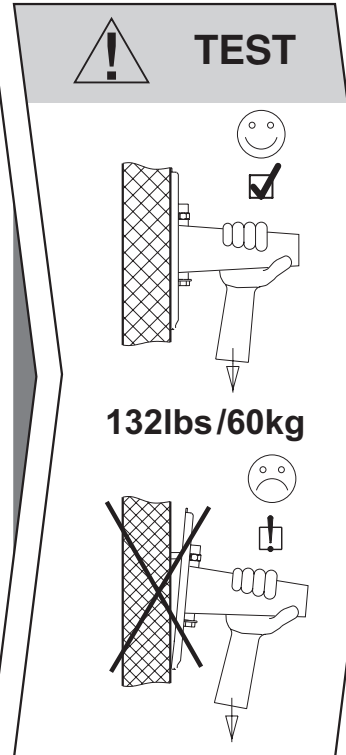
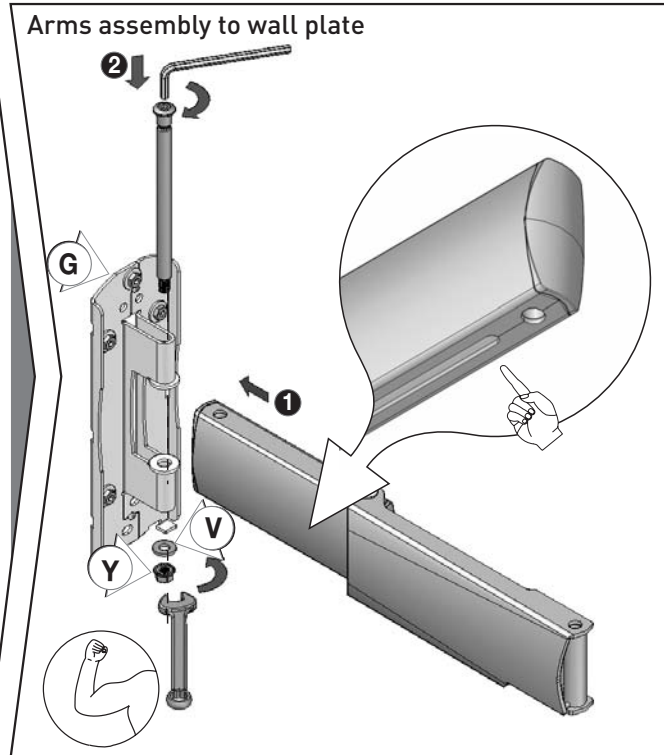
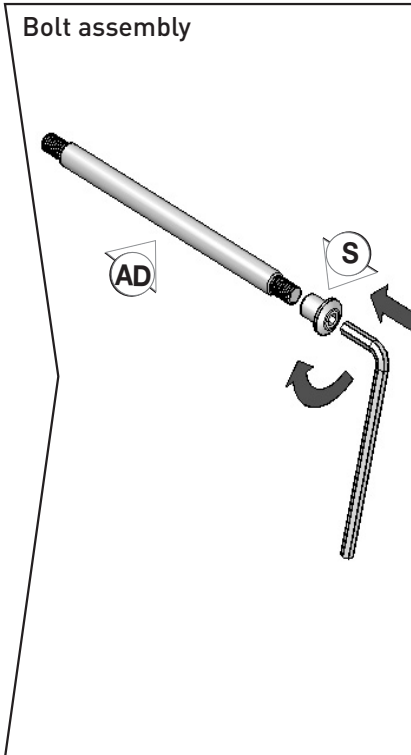
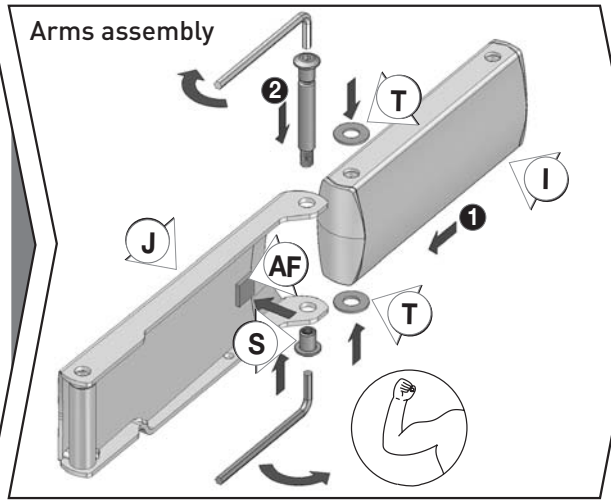
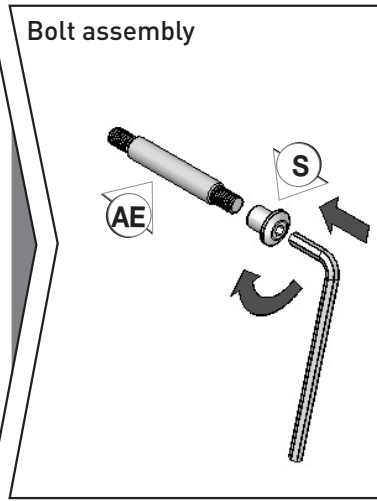
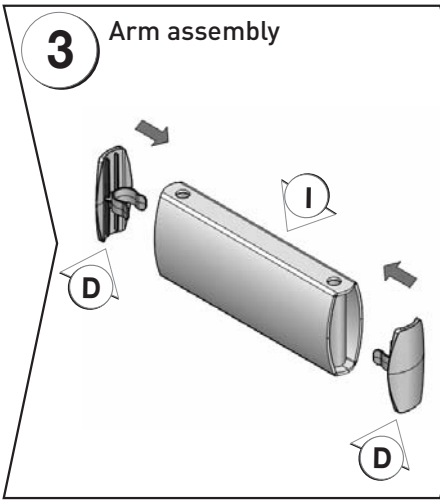
1:5	<b>A1</b>  x1	<b>A2</b>  x1	<b>B</b>  x1	<b>C</b>  x1	<b>D</b>  x2	<b>E</b>  x1	<b>F</b>  x1
	<b>G</b>  x1	<b>H</b>  x1	<b>I</b>  x1	<b>J</b>  x1	<b>K</b>  x2	<b>L</b>  x4	
	<b>M</b> The provided <b>Screen bolts</b> may change in size according to changing screen requirements  x1		<b>N</b>  x2	<b>O</b>  x1	<b>P</b>  x1	<b>Q</b>  x2	<b>R</b>  x2
1:2	<b>S</b>  x5	<b>T</b>  x4	<b>U</b>  x5	<b>V</b>  x1	<b>W</b>  x2	<b>X</b>  x8	<b>Y</b>  x1
	<b>Z</b>  x2	<b>AA</b>  x8	<b>AB</b>  x5	<b>AC</b>  x5	<b>AD</b>  x1	<b>AE</b>  x2	<b>AF</b>  x1



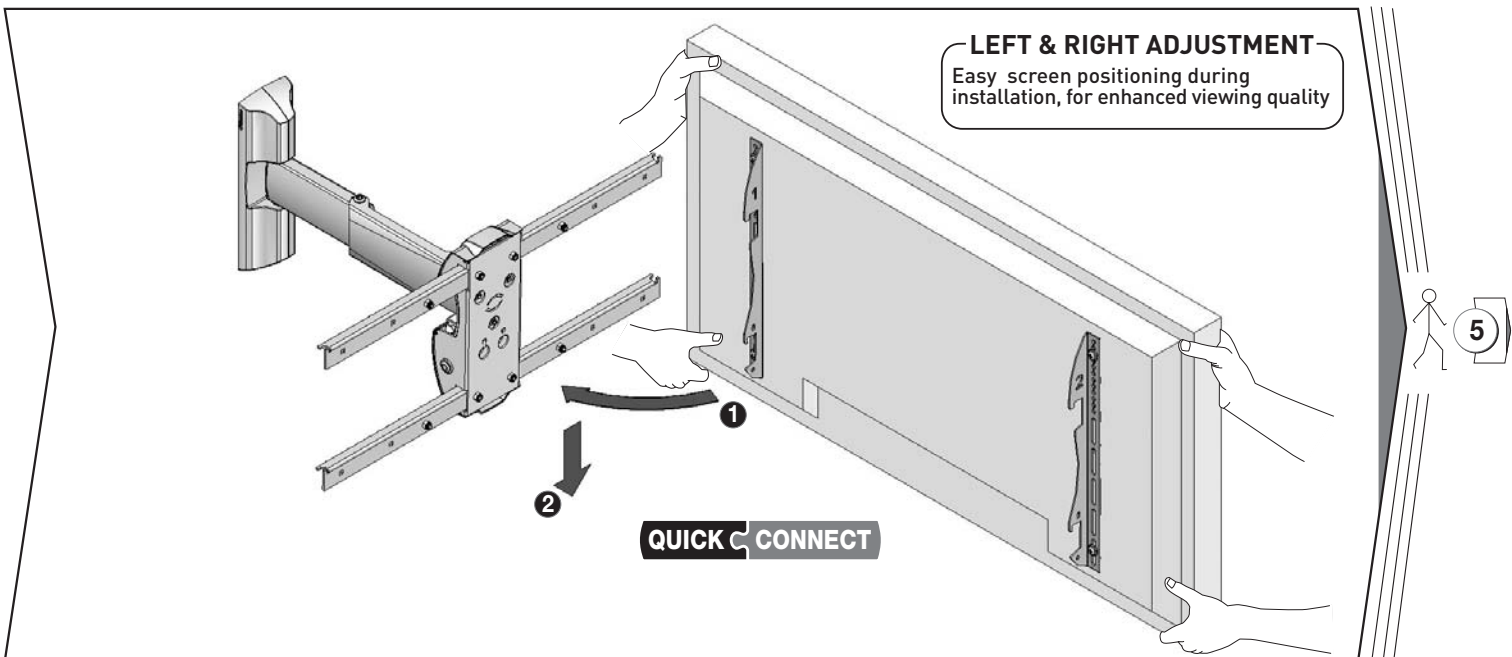
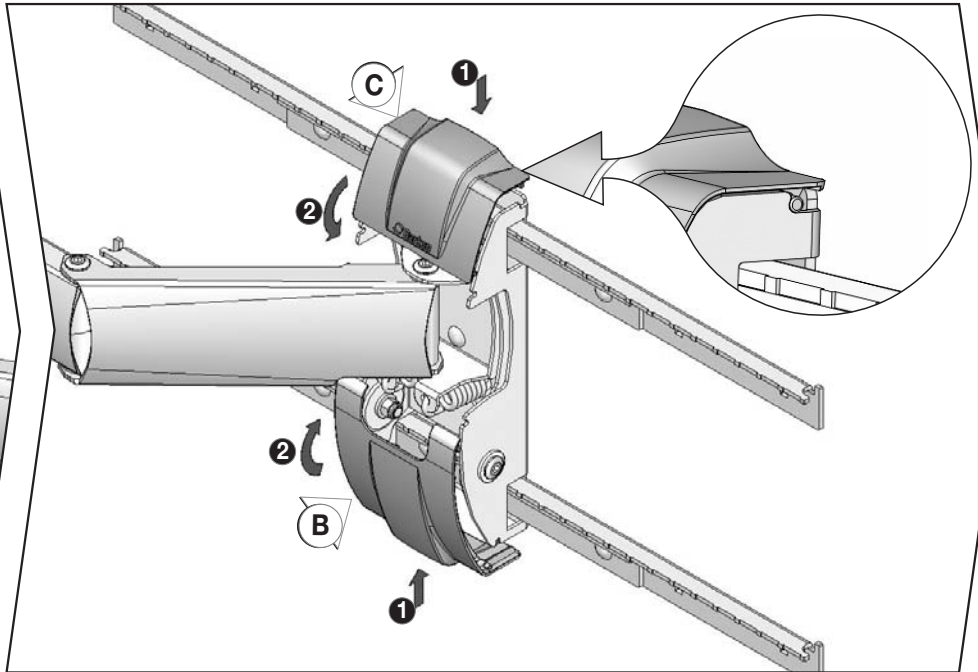
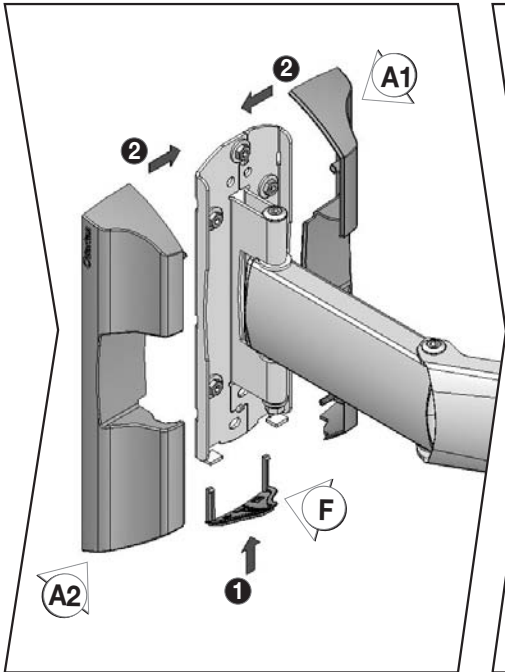
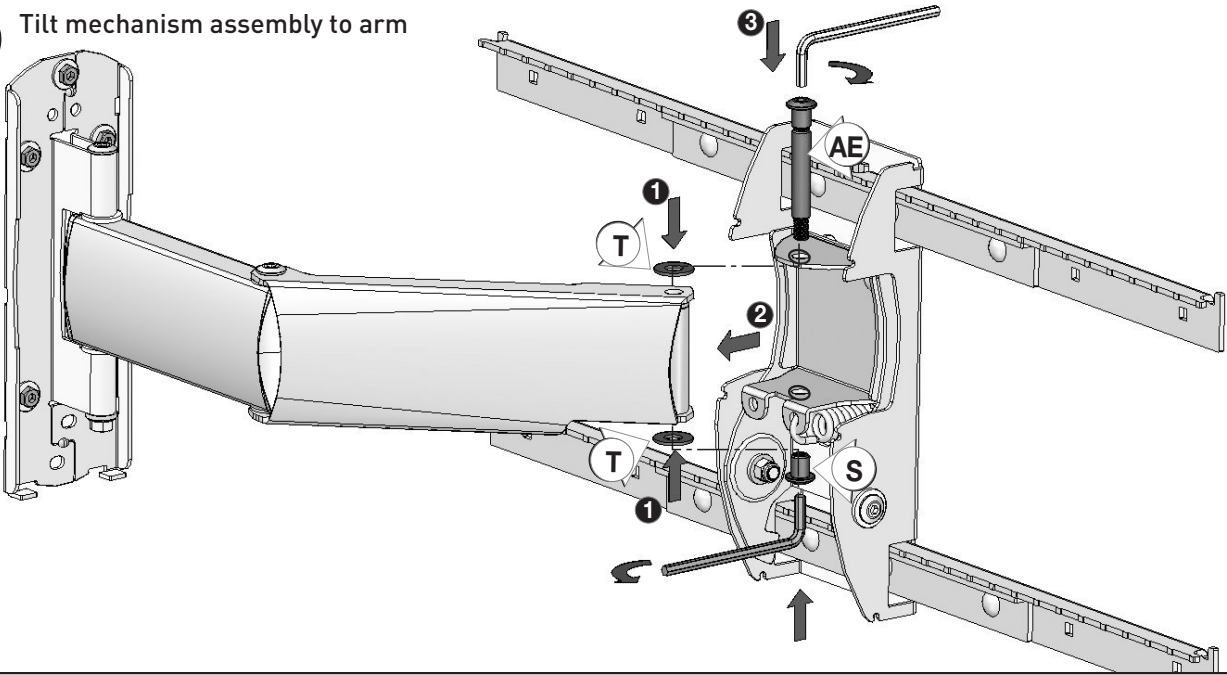
Please make sure that package contains all parts







**4** Tilt mechanism assembly to arm

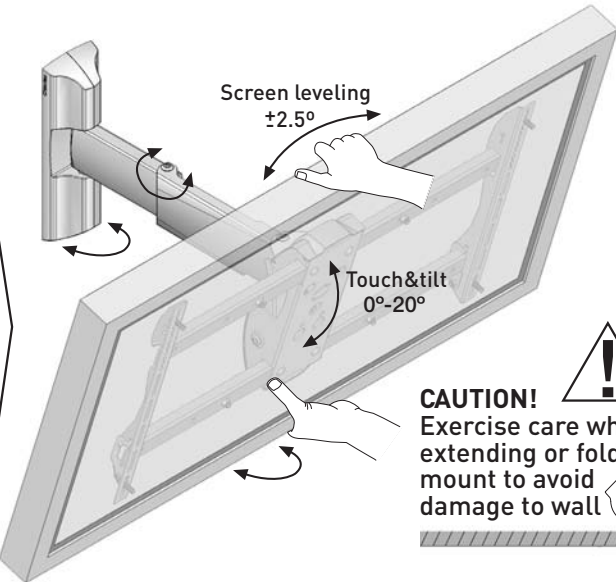
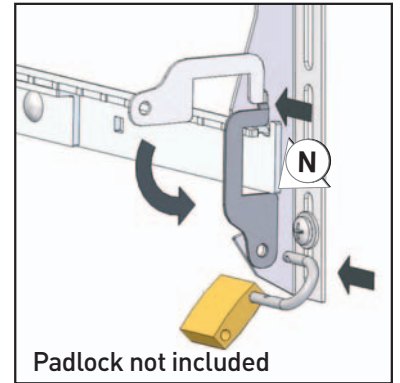
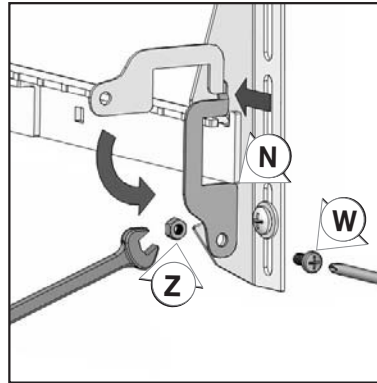
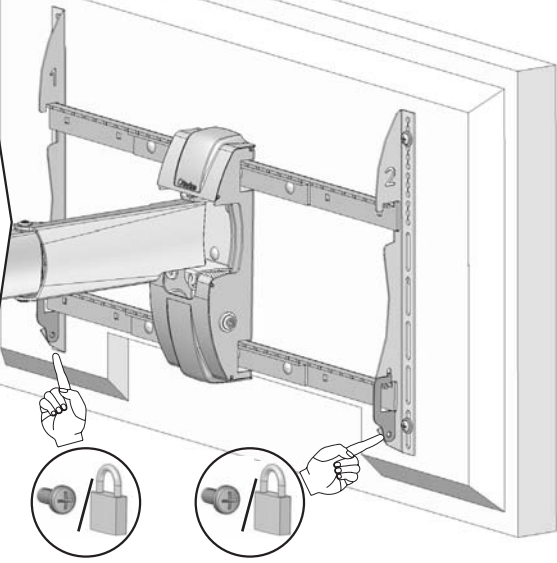


5

### Safety lock hardware assembly



**FALL & THEFT PROOF**  
Secure locking system,  
preventing theft and accidents



**CAUTION!** Exercise care when extending or folding mount to avoid damage to wall

