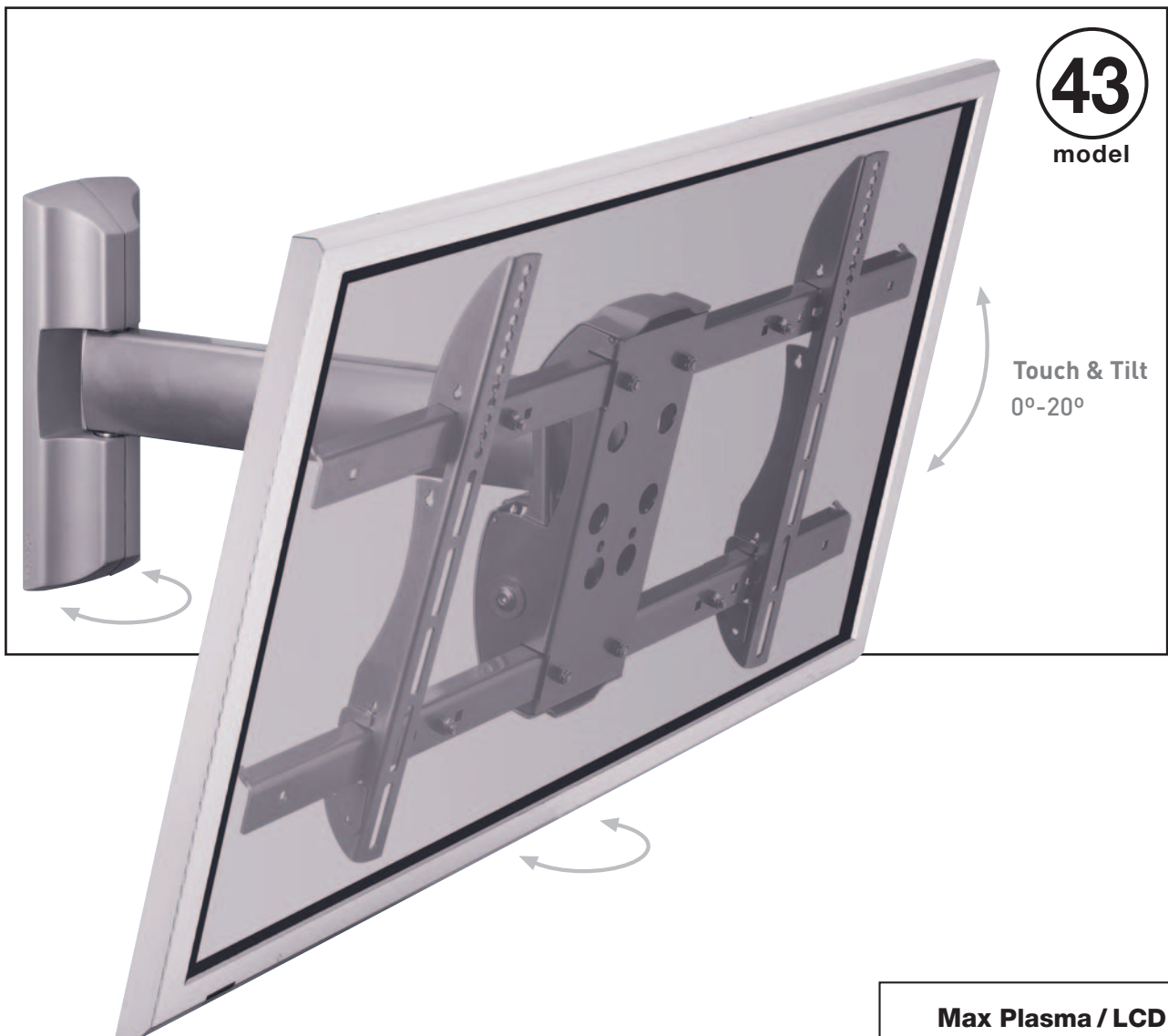



3 Movement PLASMA/LCD WALL MOUNT


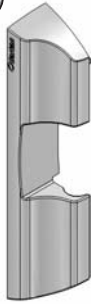





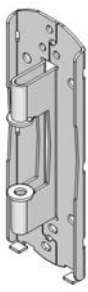
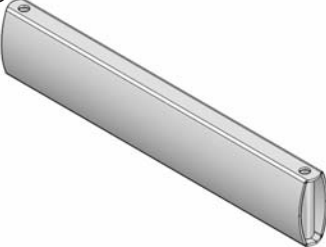

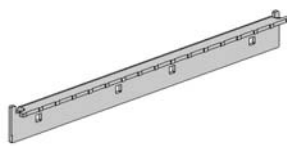
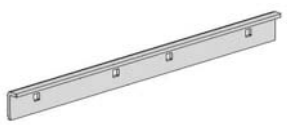
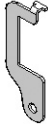






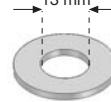
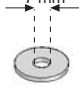
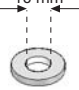

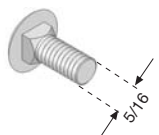

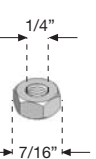



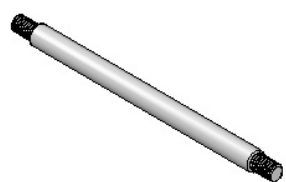

Safety & assembly instructions

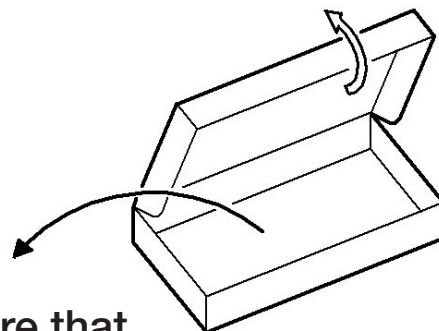


43
model

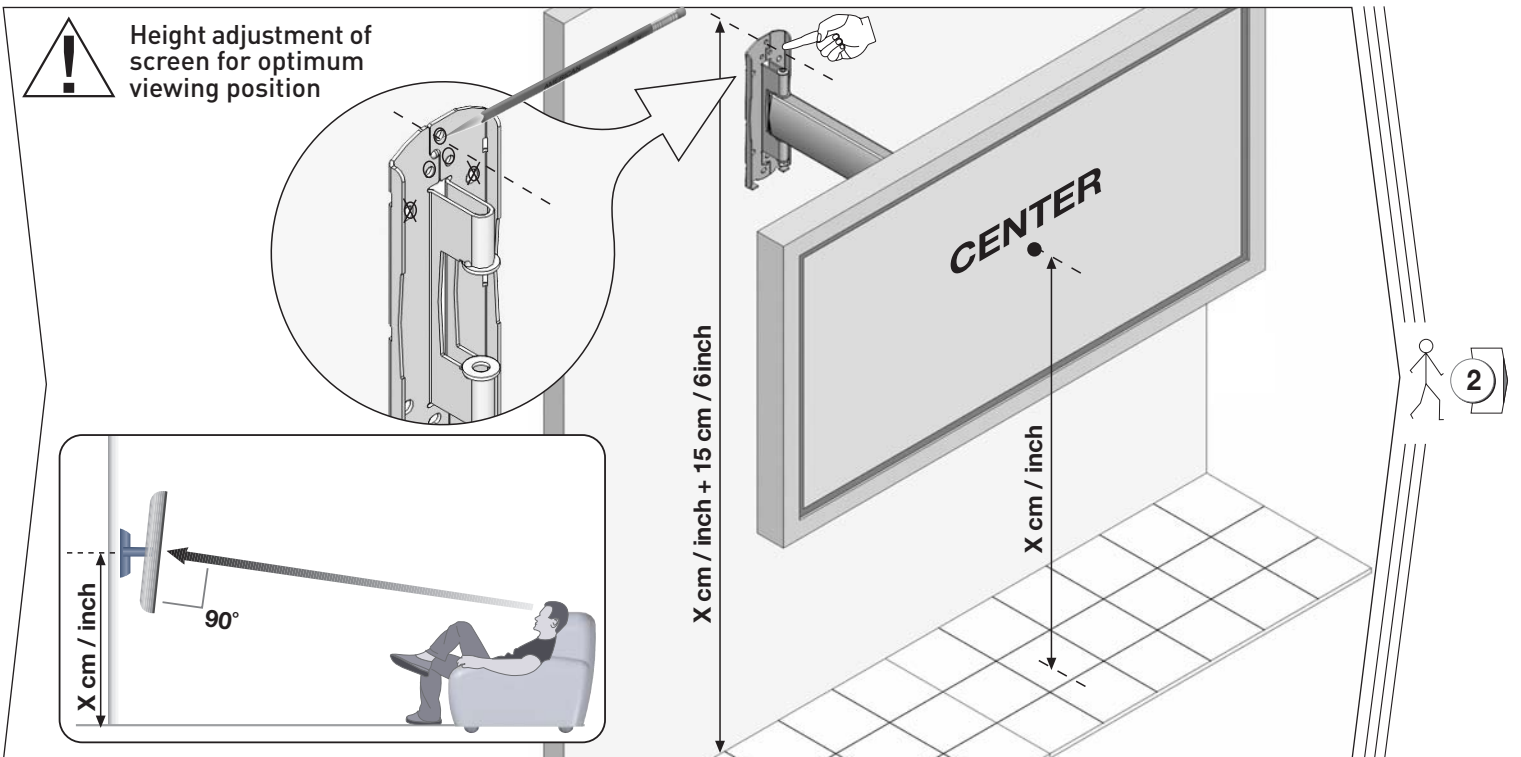
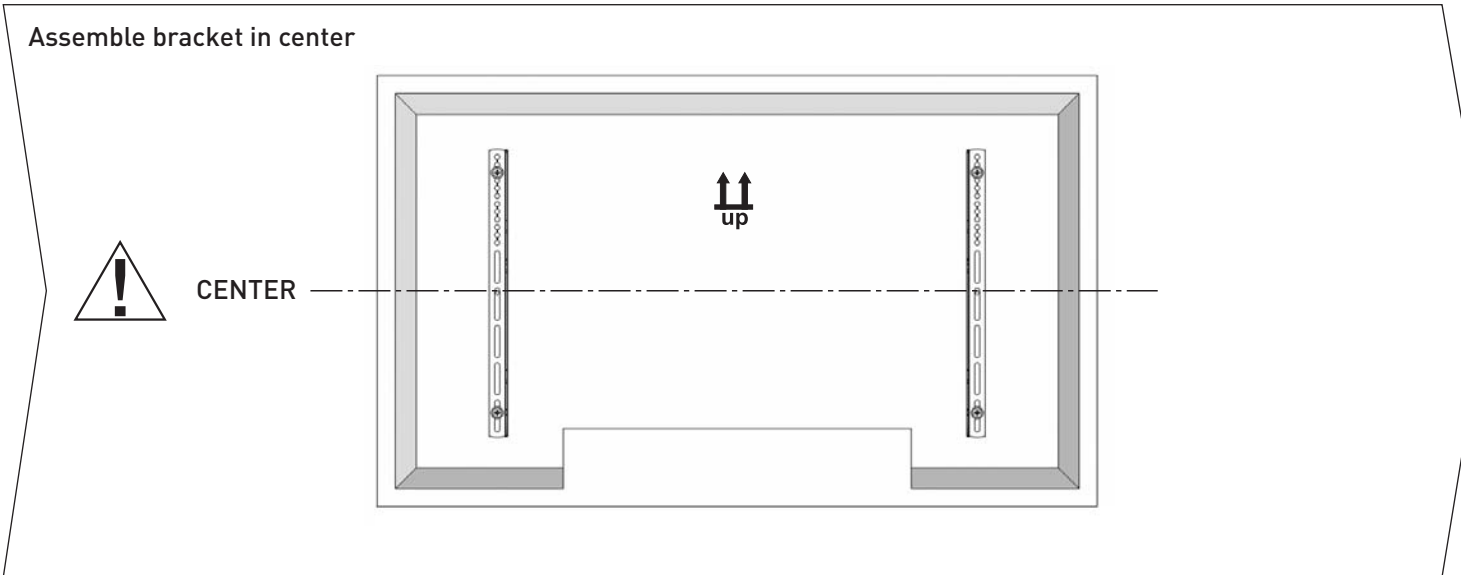
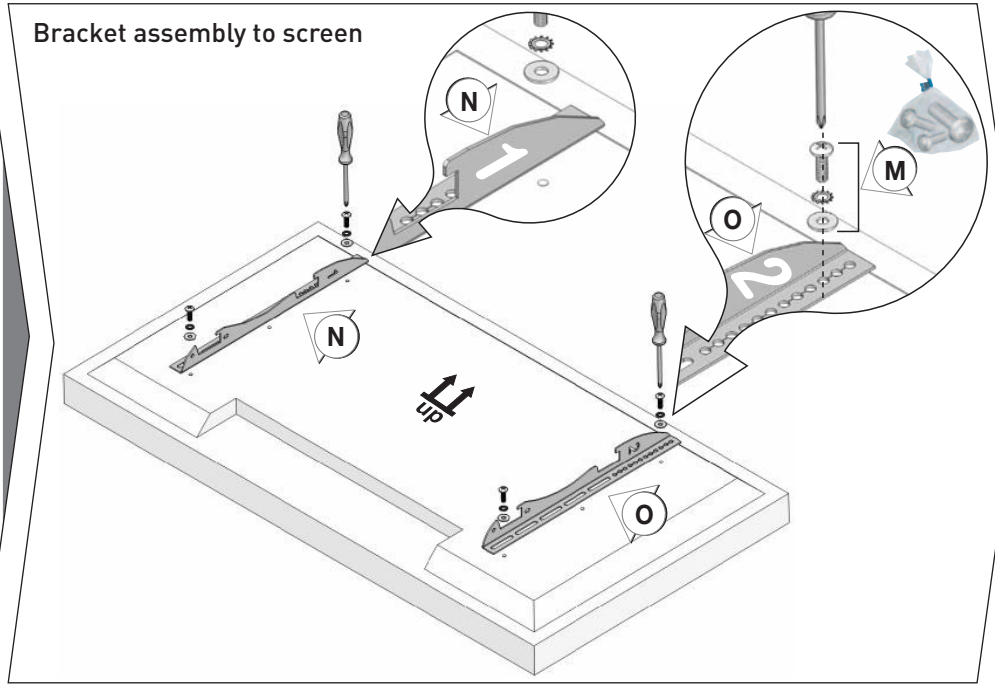
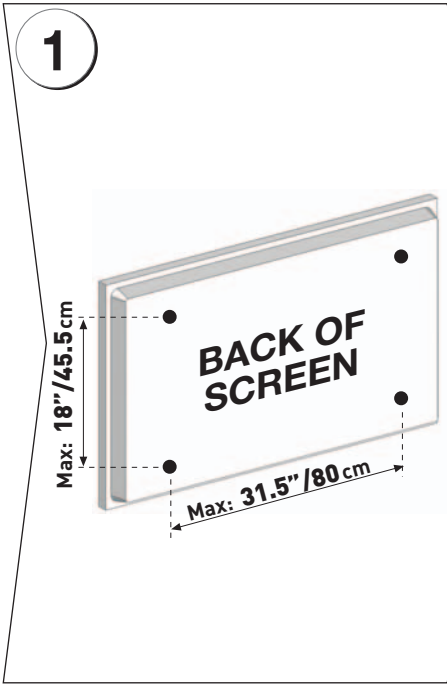
Touch & Tilt
0°-20°

Max Plasma / LCD		
50" / 127cm		
 Max	US	EU
	132lbs	60kg

1:5	A1  x1	A2  x1	B  x1	C  x1	D  x2	E  x2	F  x1
	G  x1	H  x1	I  x1	J  x4	K  x2		
	L  x2	M The provided Screen bolts may change in size according to changing screen requirements  x1	N  x1	O  x1	P  x2	Q  x2	
1:2	R  x3	S  x2	T  x5	U  x1	V  x2	W  x8	X  x1
	Y  x2	Z  x8	AA  x5	AB  x5	AC  x1	AD  x1	

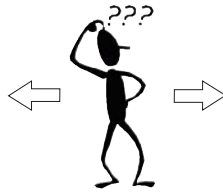
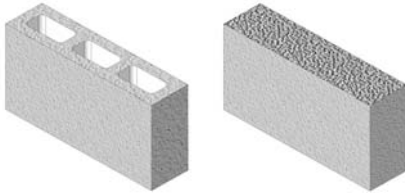


Please make sure that package contains all parts



2

Concrete, Solid bricks or Hollow concrete block walls



Wood stud wall



2.1

STOP



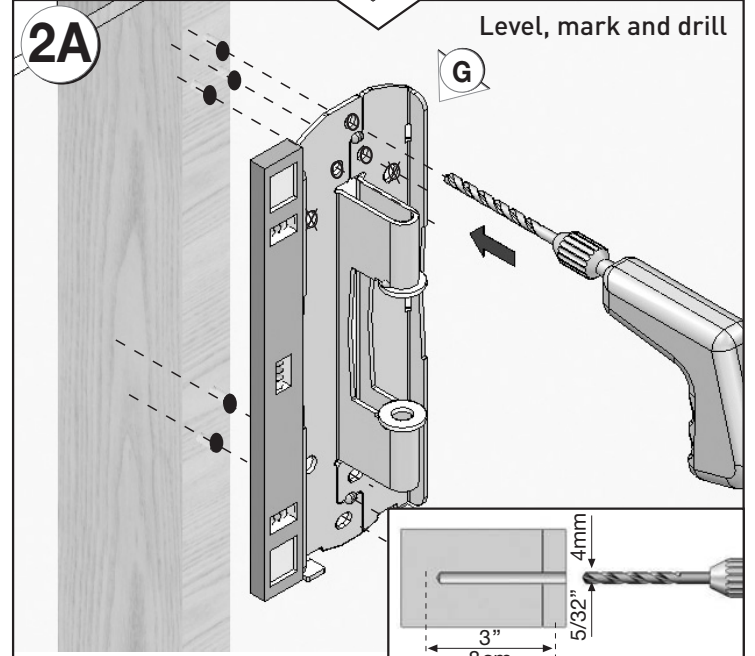
STOP



2A

Level, mark and drill

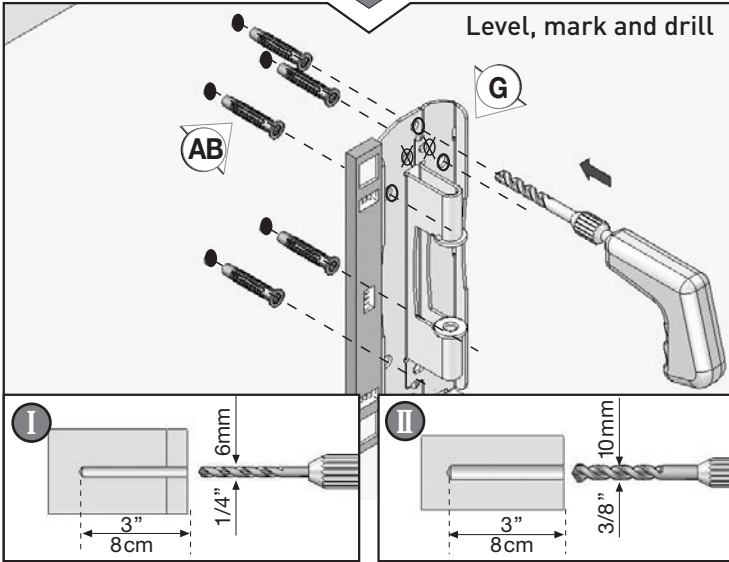
G



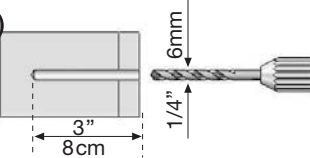
Level, mark and drill

G

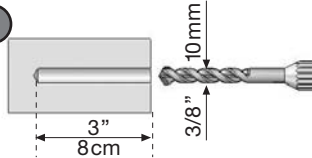
AB



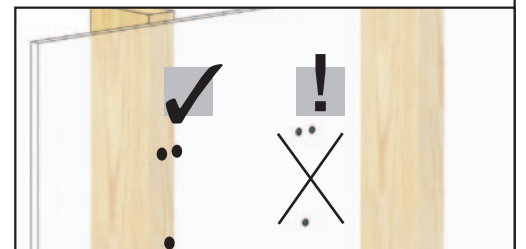
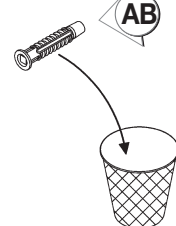
I



II



AB

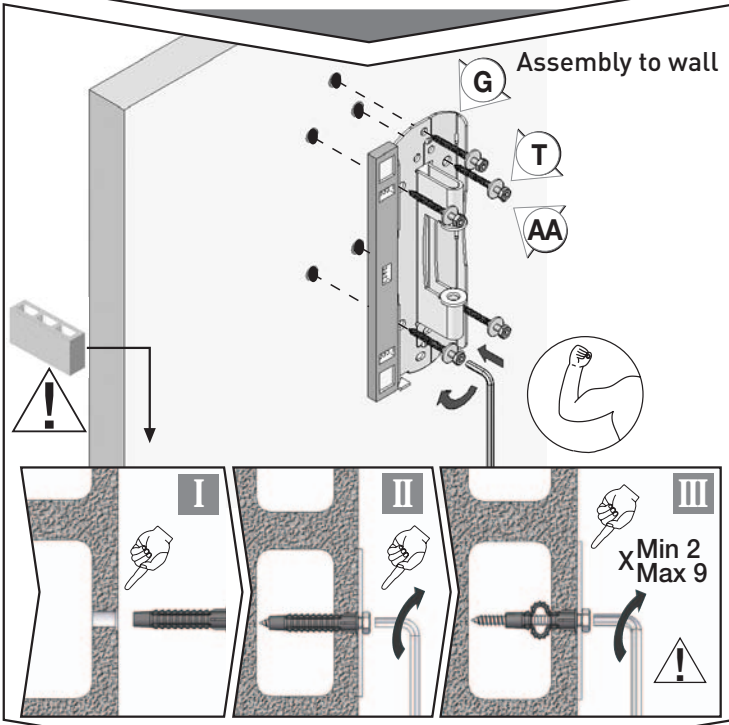


Assembly to wall

G

T

AA



I

II

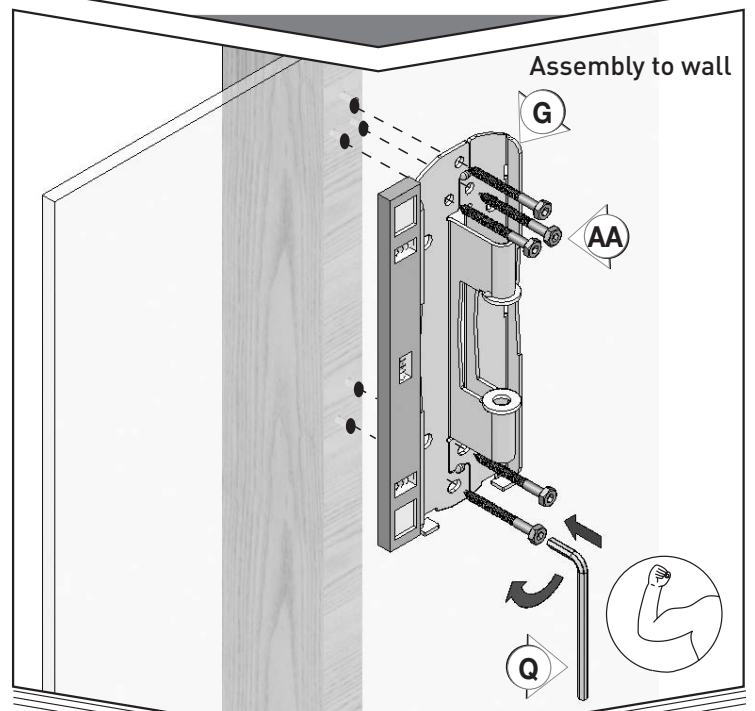
III

X Min 2 Max 9

Assembly to wall

G

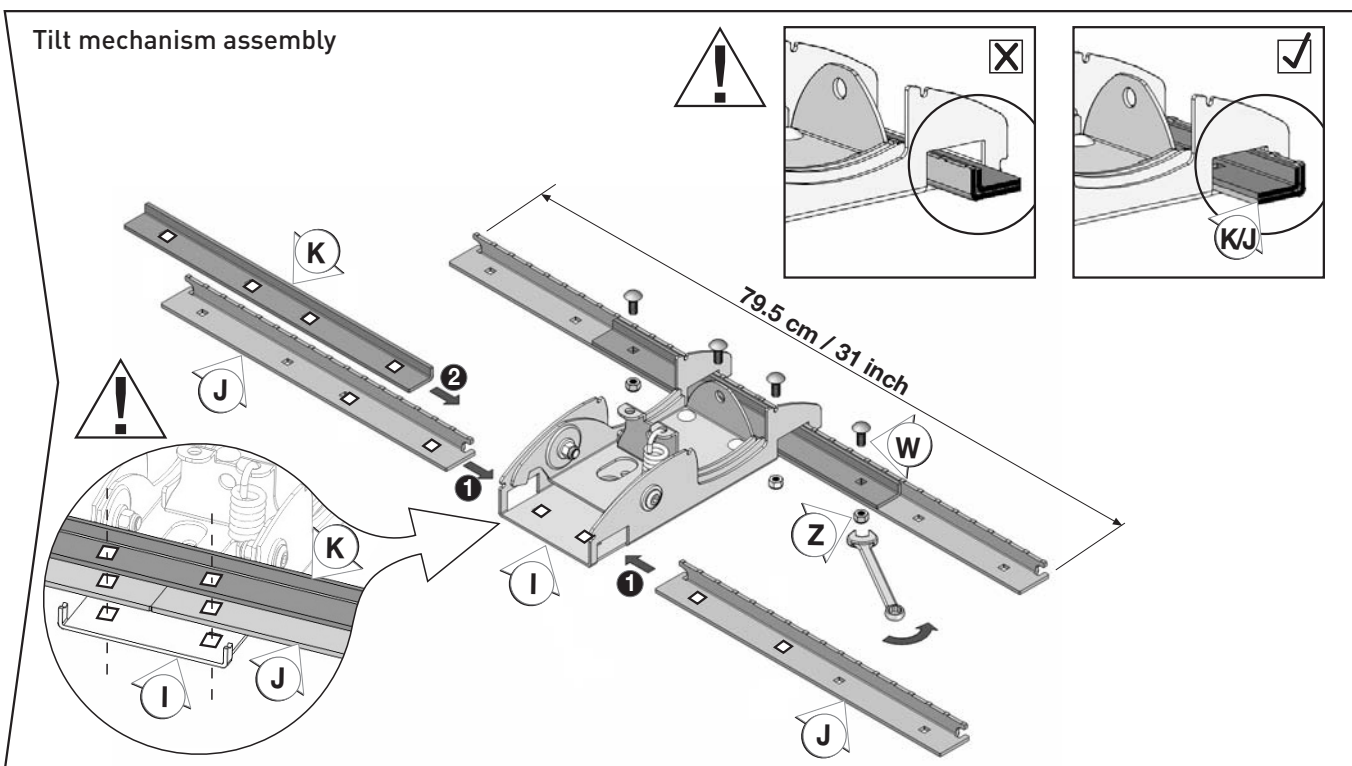
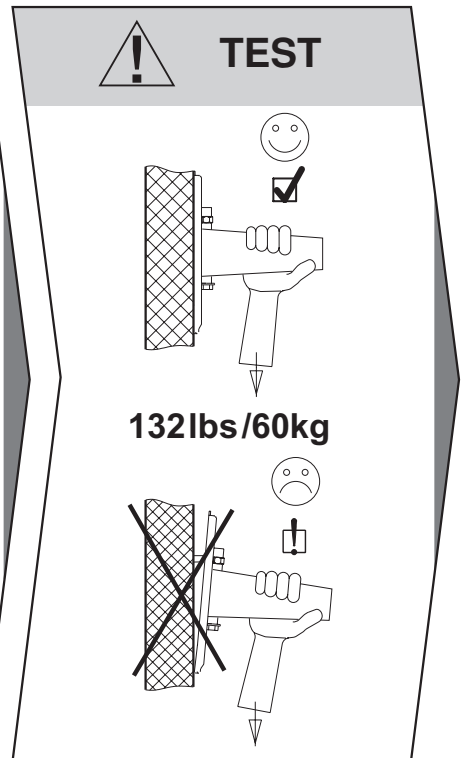
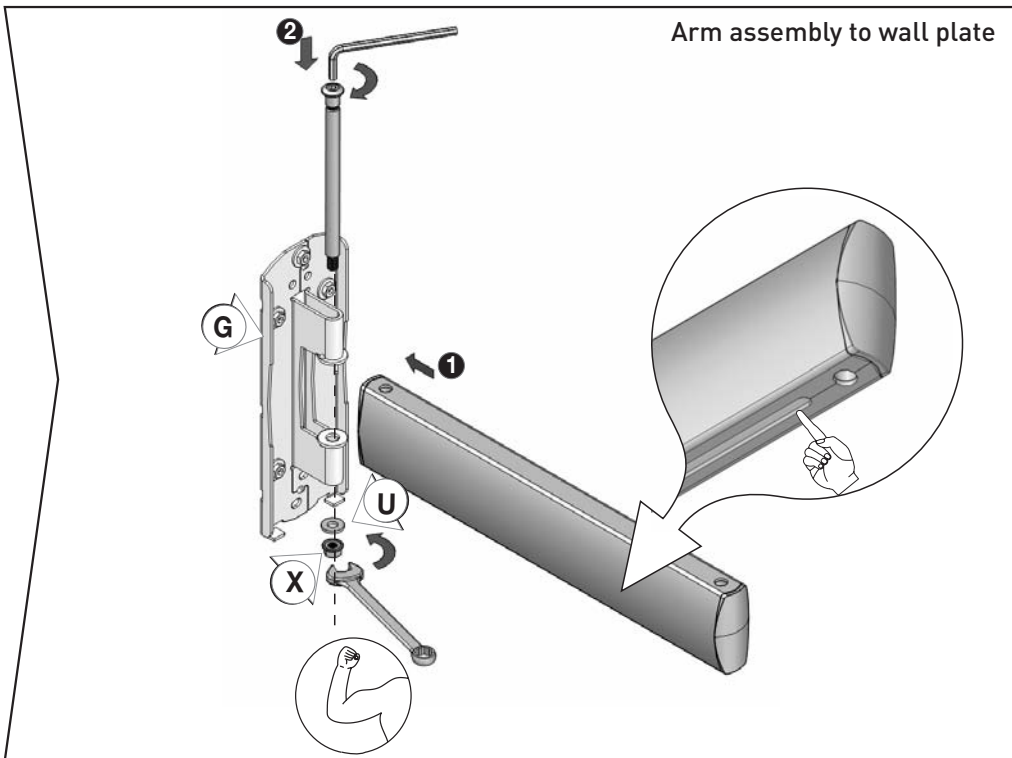
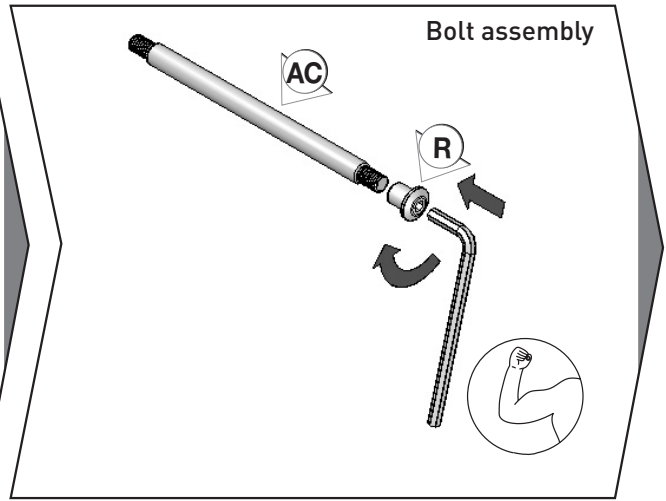
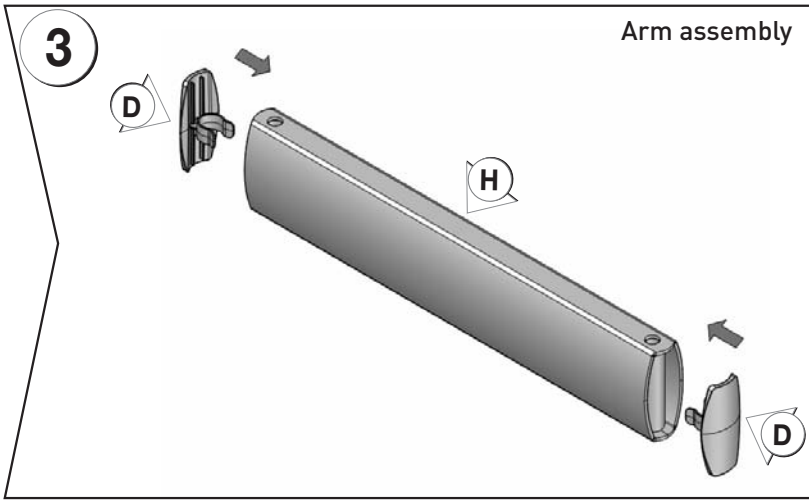
AA

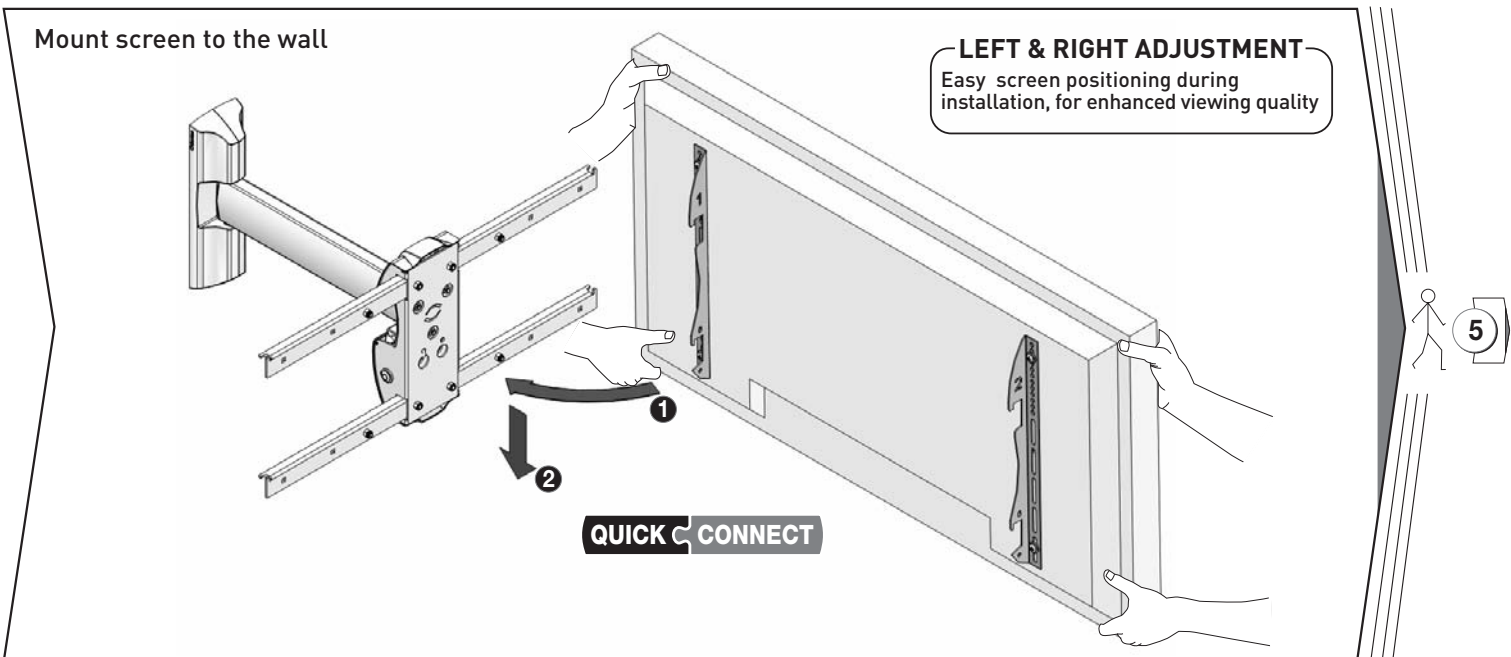
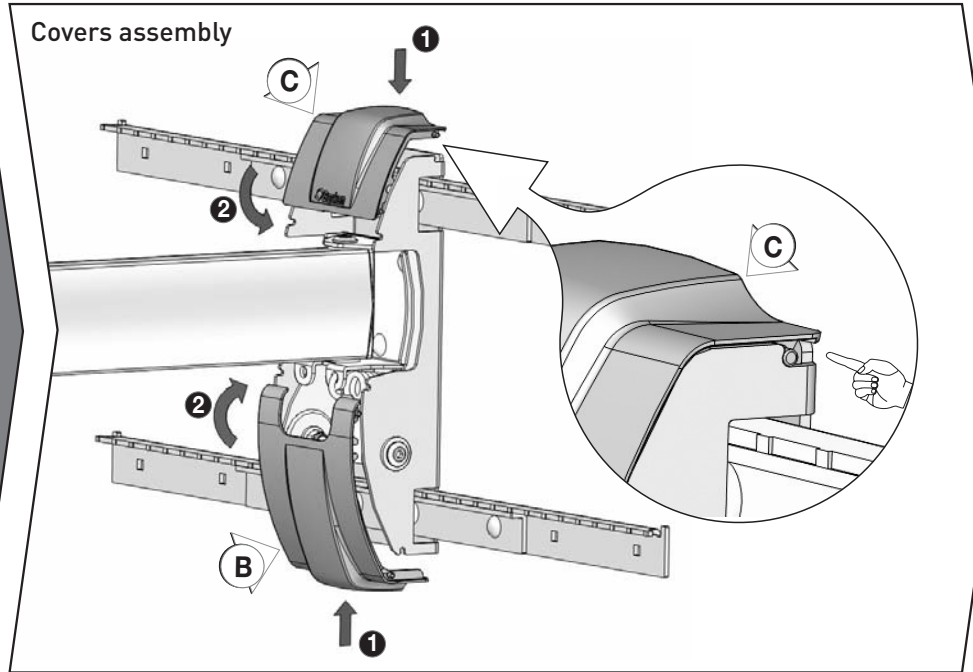
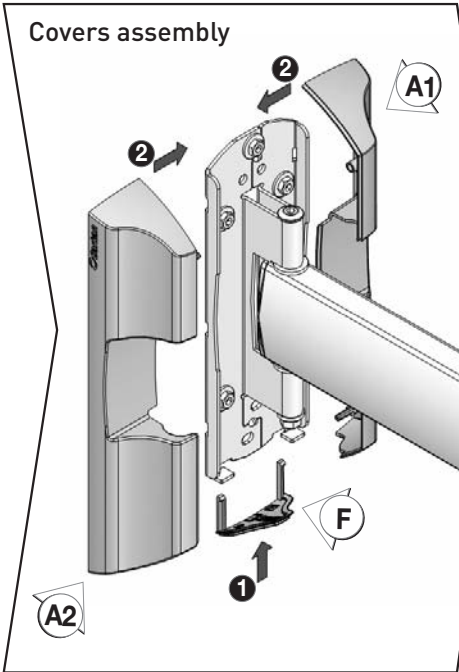
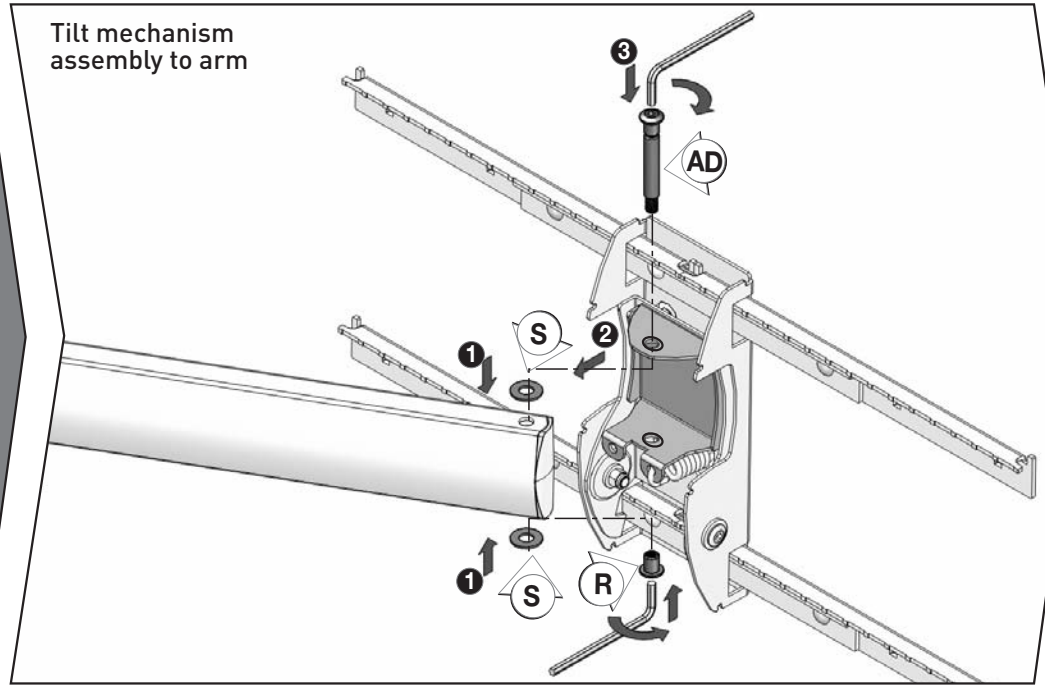
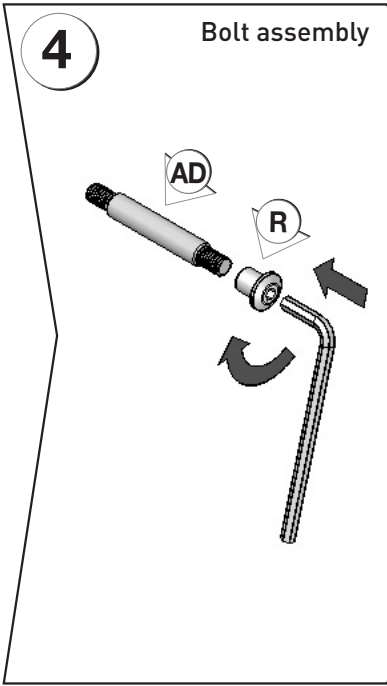


Q

3

3





5

Safety lock hardware assembly



FALL & THEFT PROOF
Secure locking system,
preventing theft and accidents

