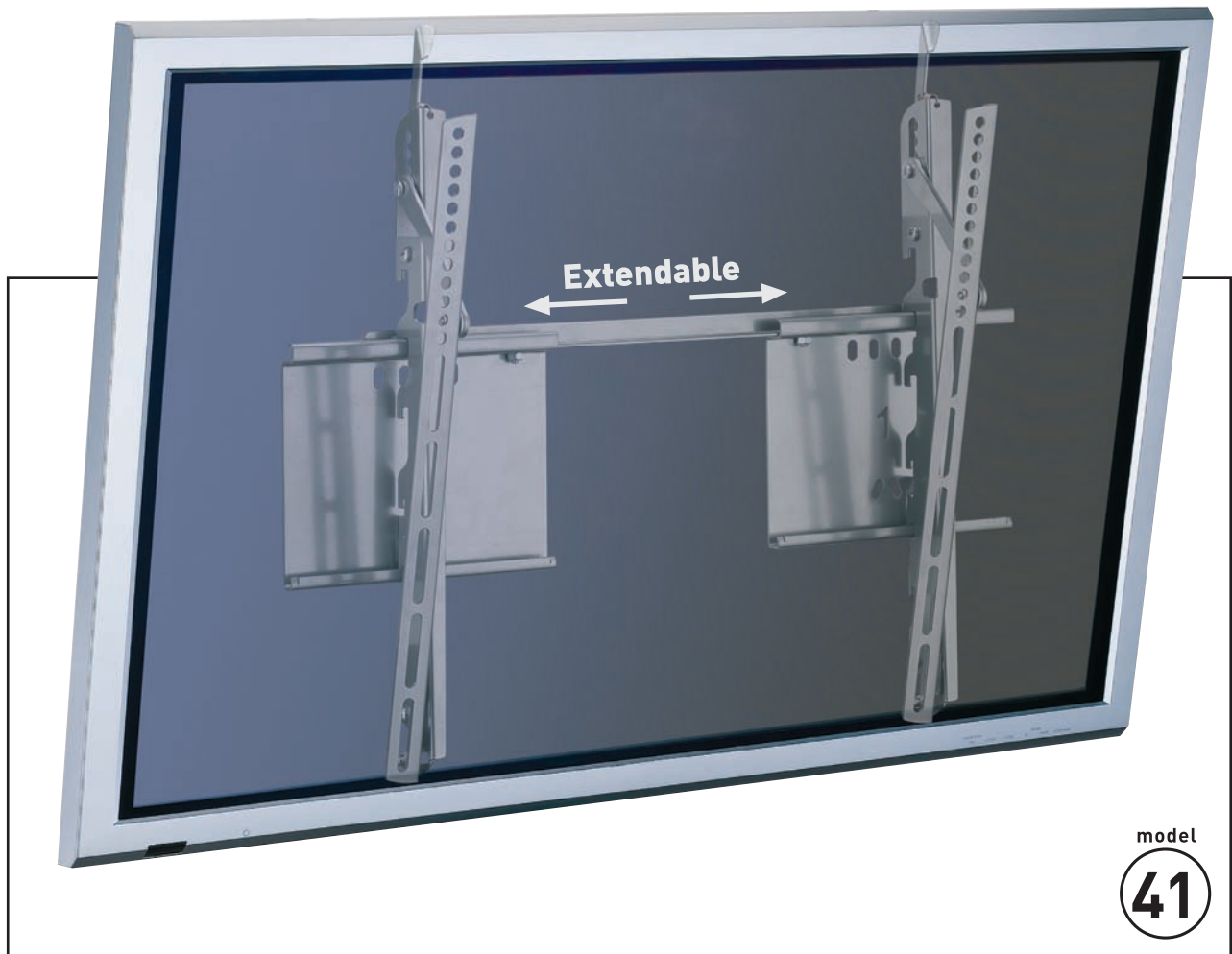











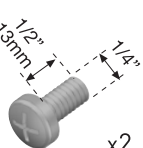


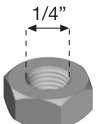
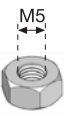
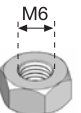
Tilt

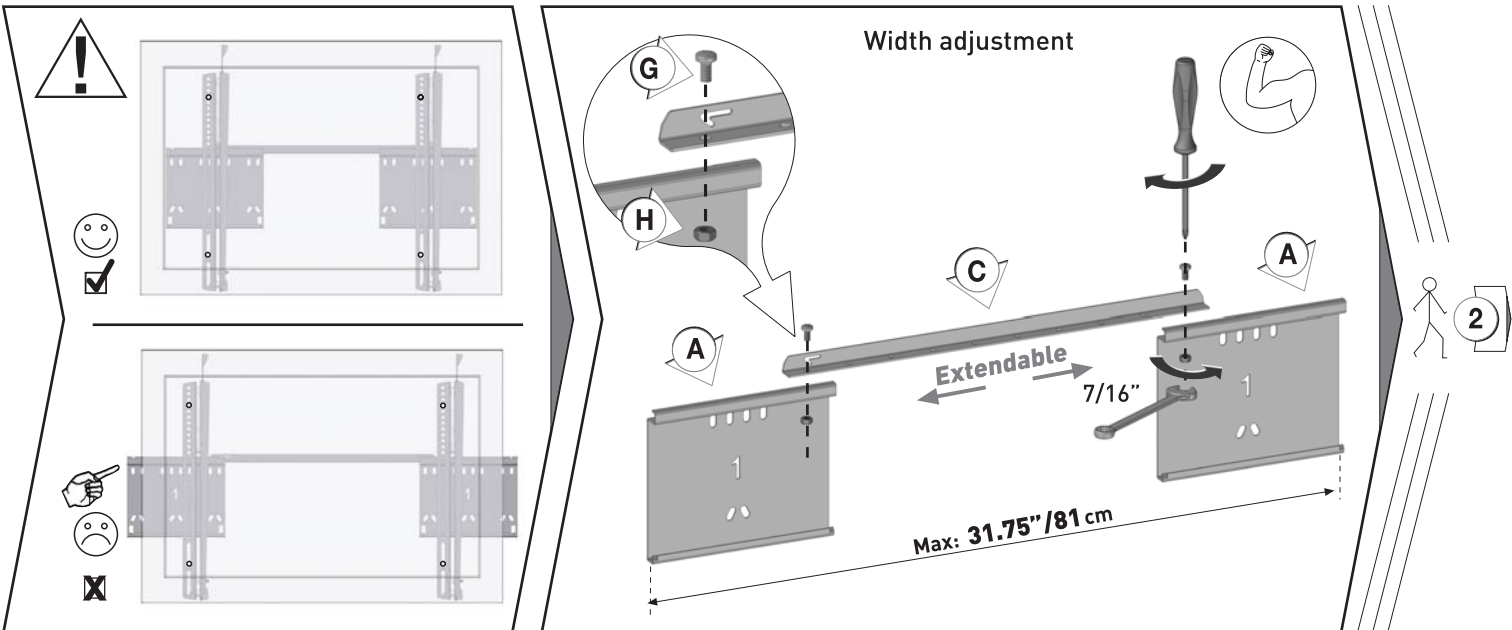
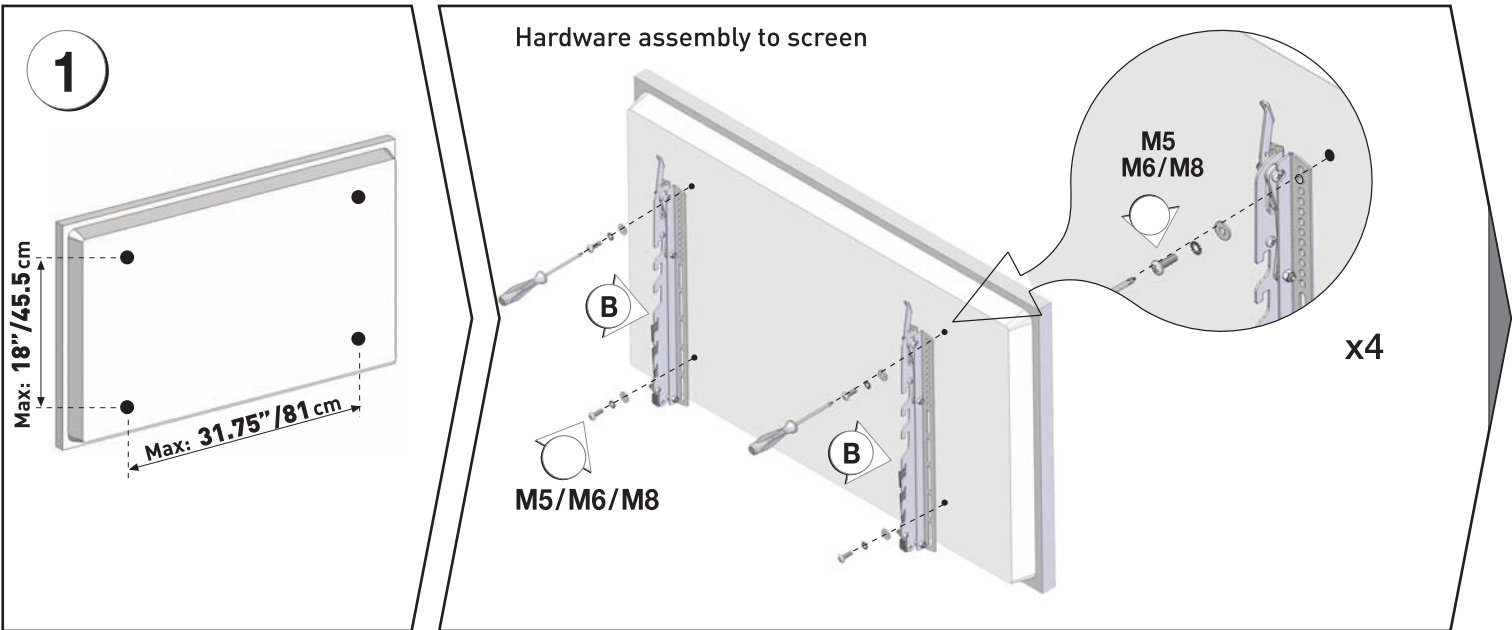
PLASMA/LCD mount

Safety & assembly instructions



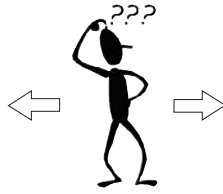
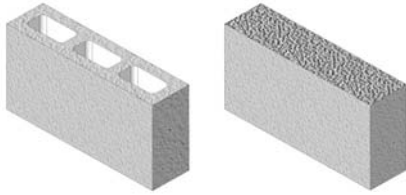
Max PLASMA / LCD		
50" / 127 cm		
 Max	US	EU
	143lbs	65 kg

1:10	A  x2		B  x2		C  x1		
	1:2	D  x1	E  x6	F  x6	M5  x4	M6  x4	G  x2
				M8X35mm  x4	M8X25mm  x4	H  x2	I  x2
						J  x2	

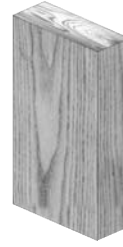


2

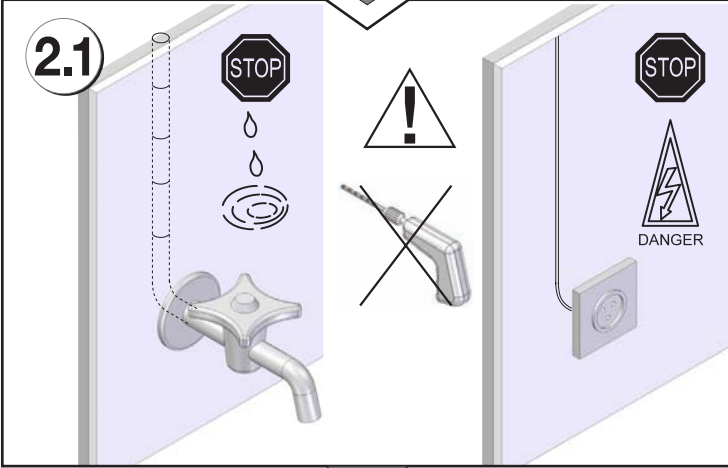
Concrete, Solid bricks or Hollow concrete block walls



Wood stud wall

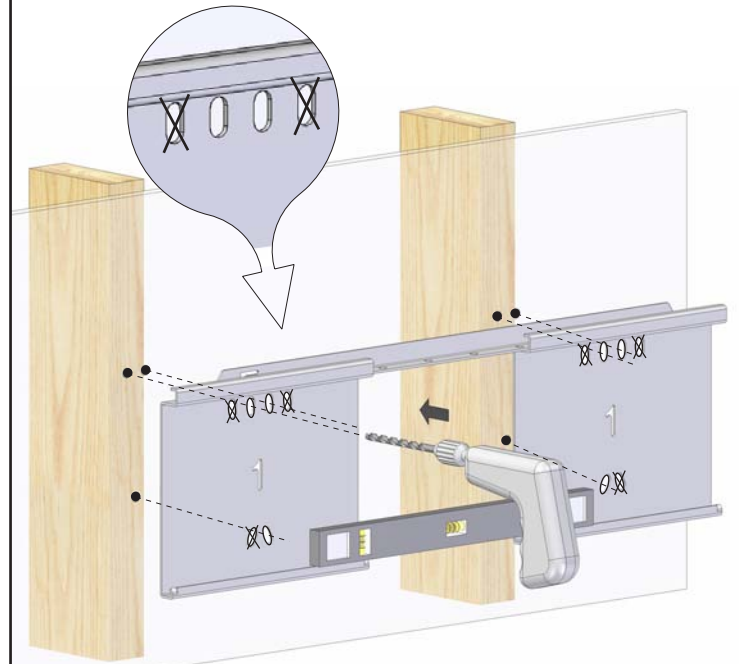


2.1

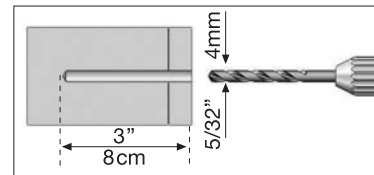
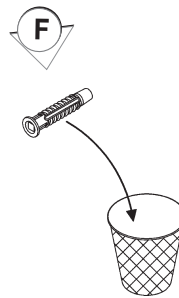
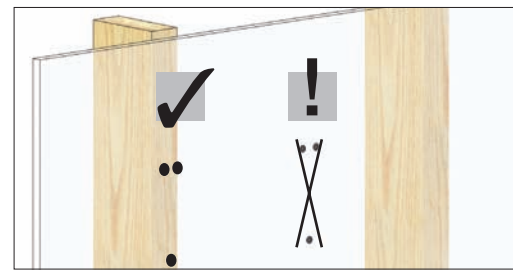
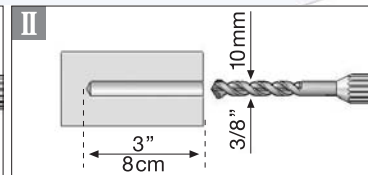
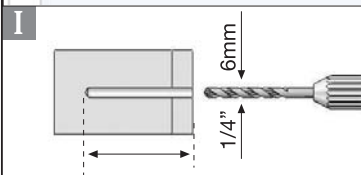
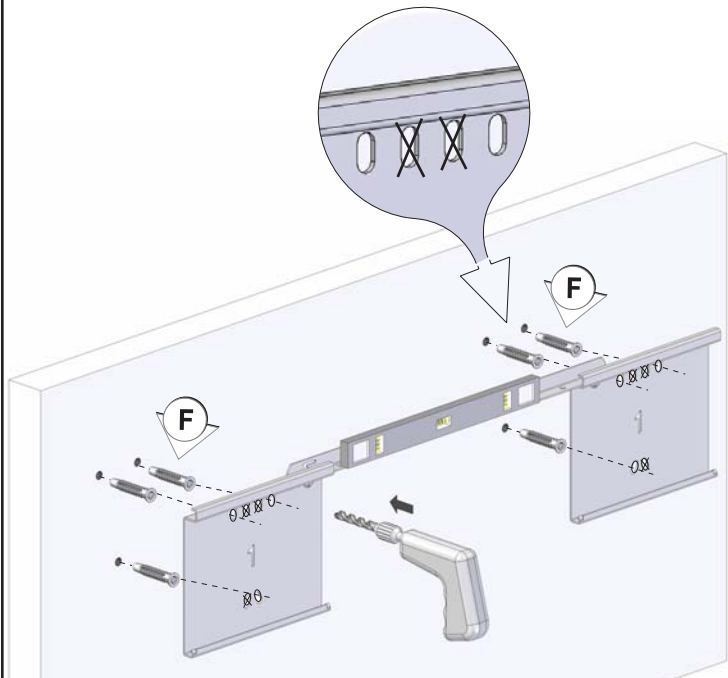


2A

Mark and drill

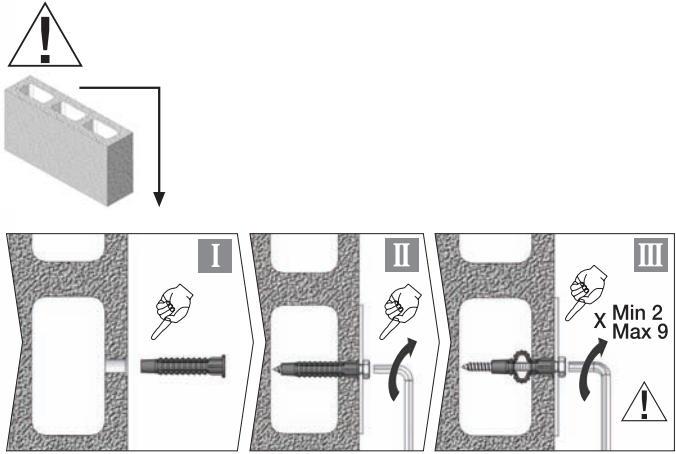
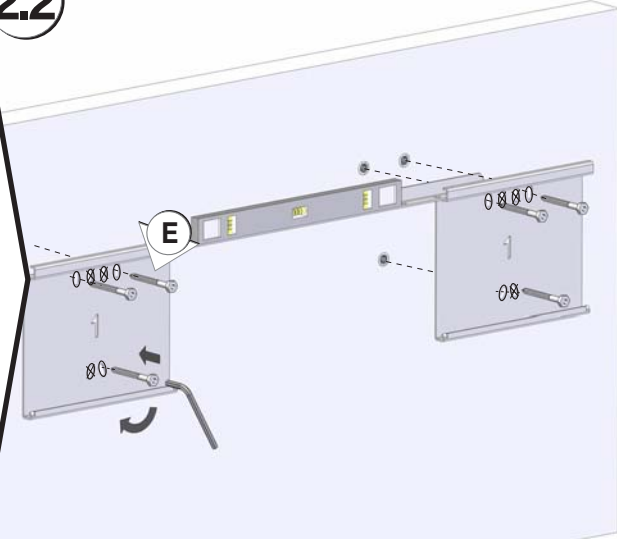


Mark and drill



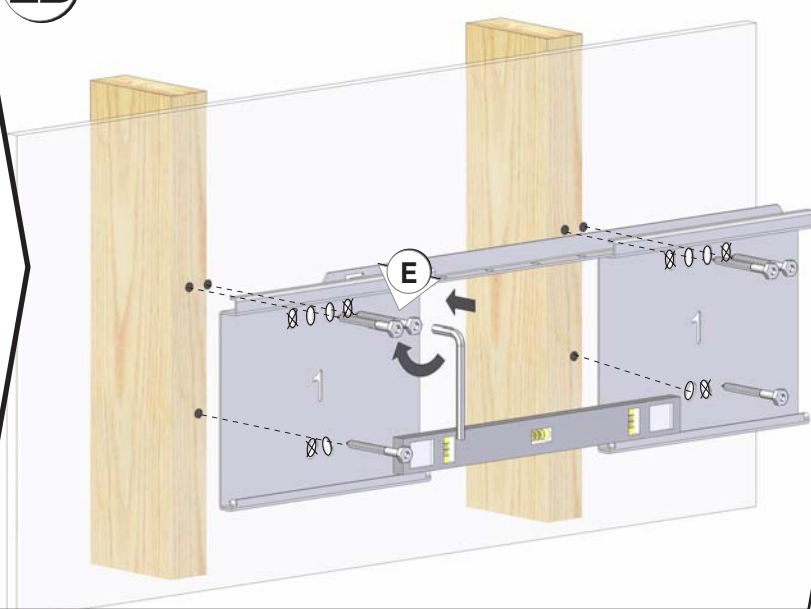
2.2

Assembly to wall



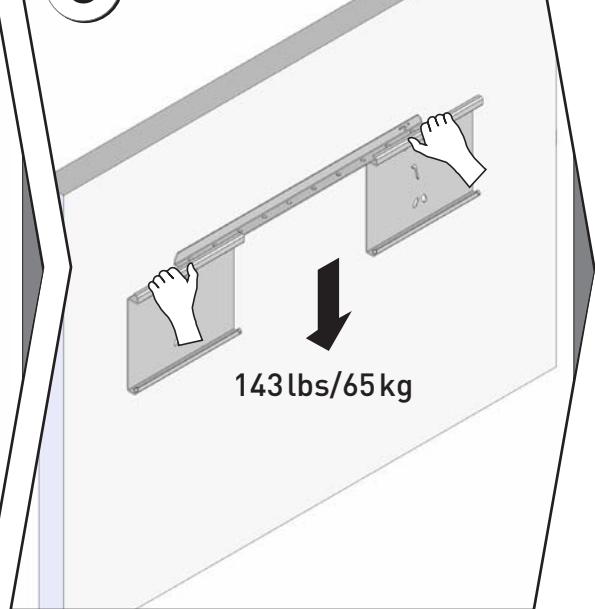
2B

Assembly to wall

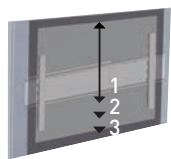


3

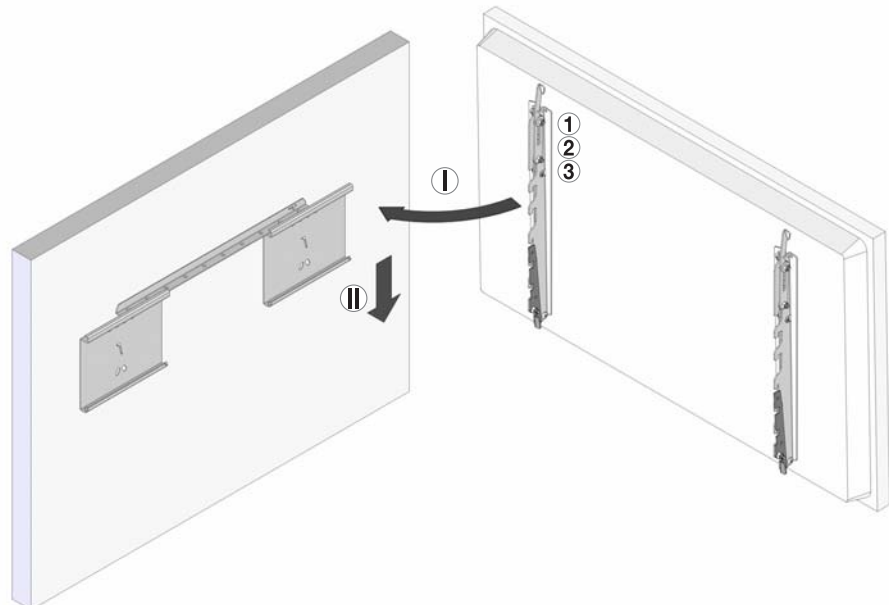
TEST



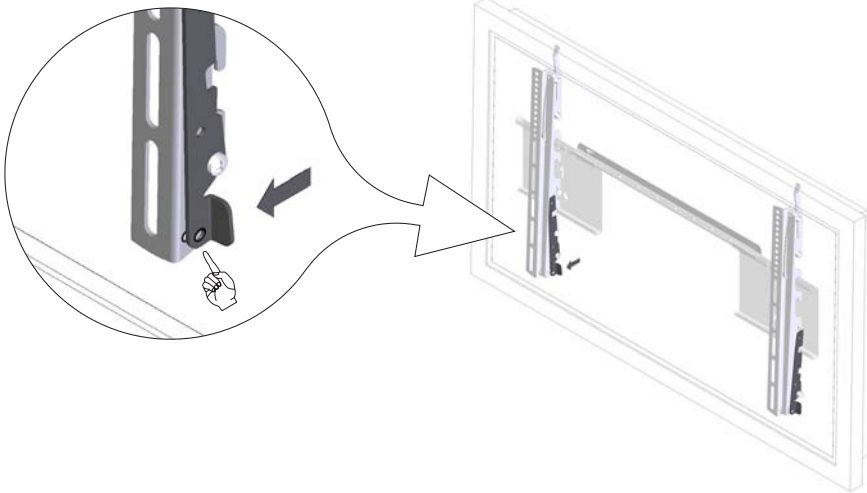
Mount screen to the wall



HEIGHT ADJUSTMENT
Choice of 3 height positions for enhanced viewing quality

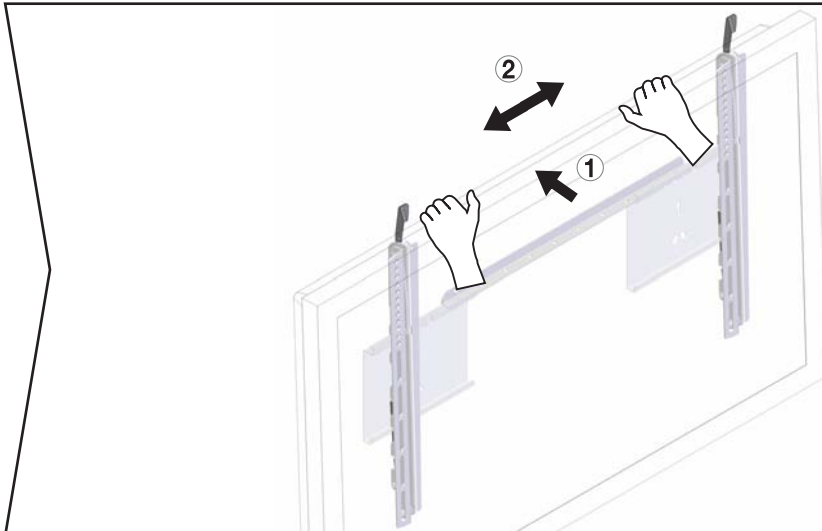
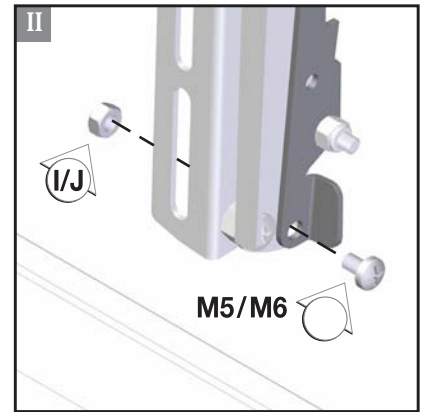
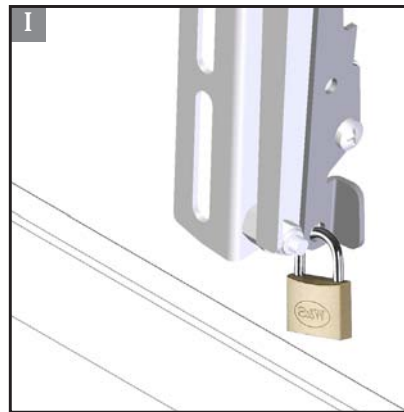
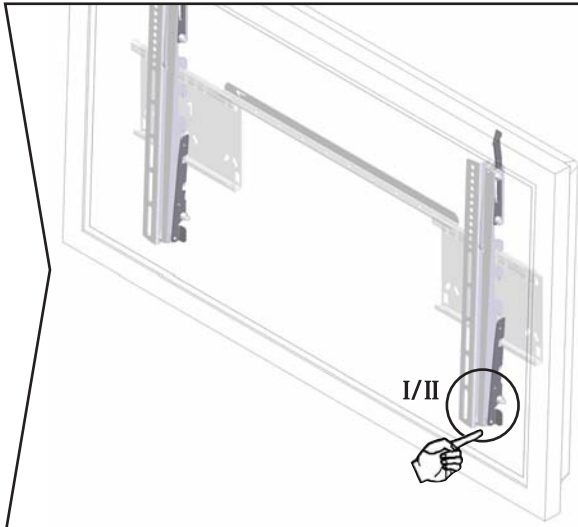


4

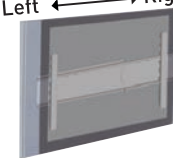


FALL & THEFT PROOF
Secure locking system,
preventing theft and accidents

Padlock/safety hardware assembly

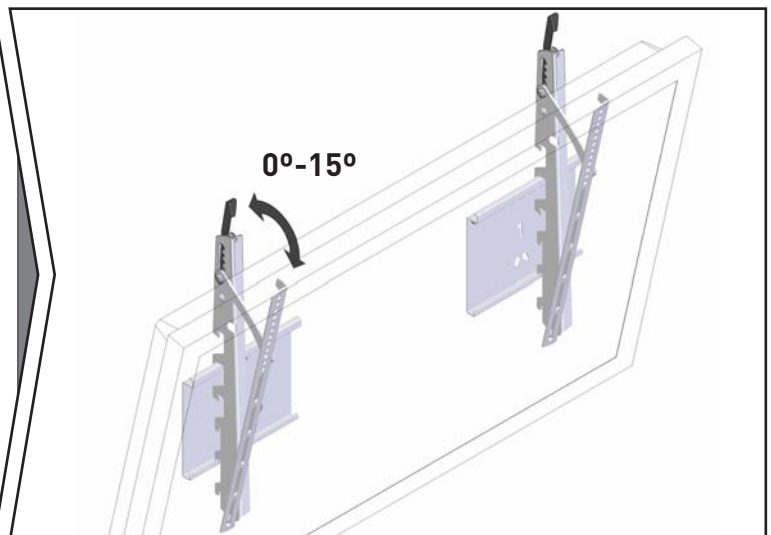
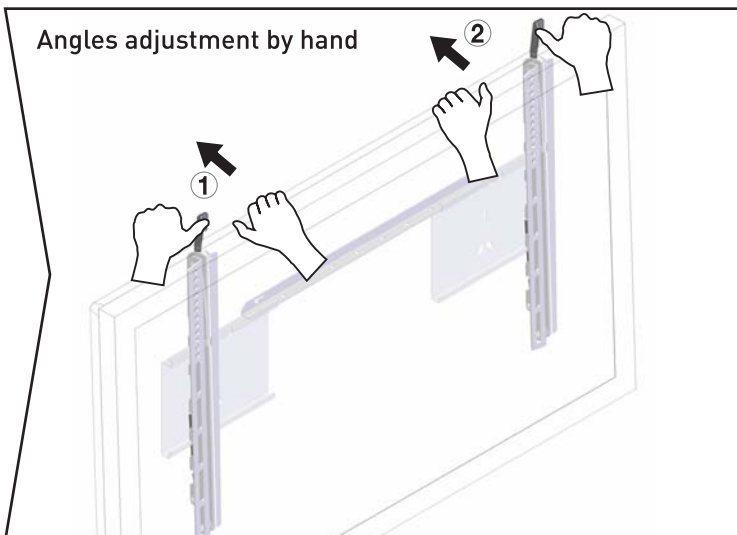


Left ← Right



Left & right adjustment
Easy screen positioning during
installation , for enhanced
viewing quality

Angles adjustment by hand



0°-15°