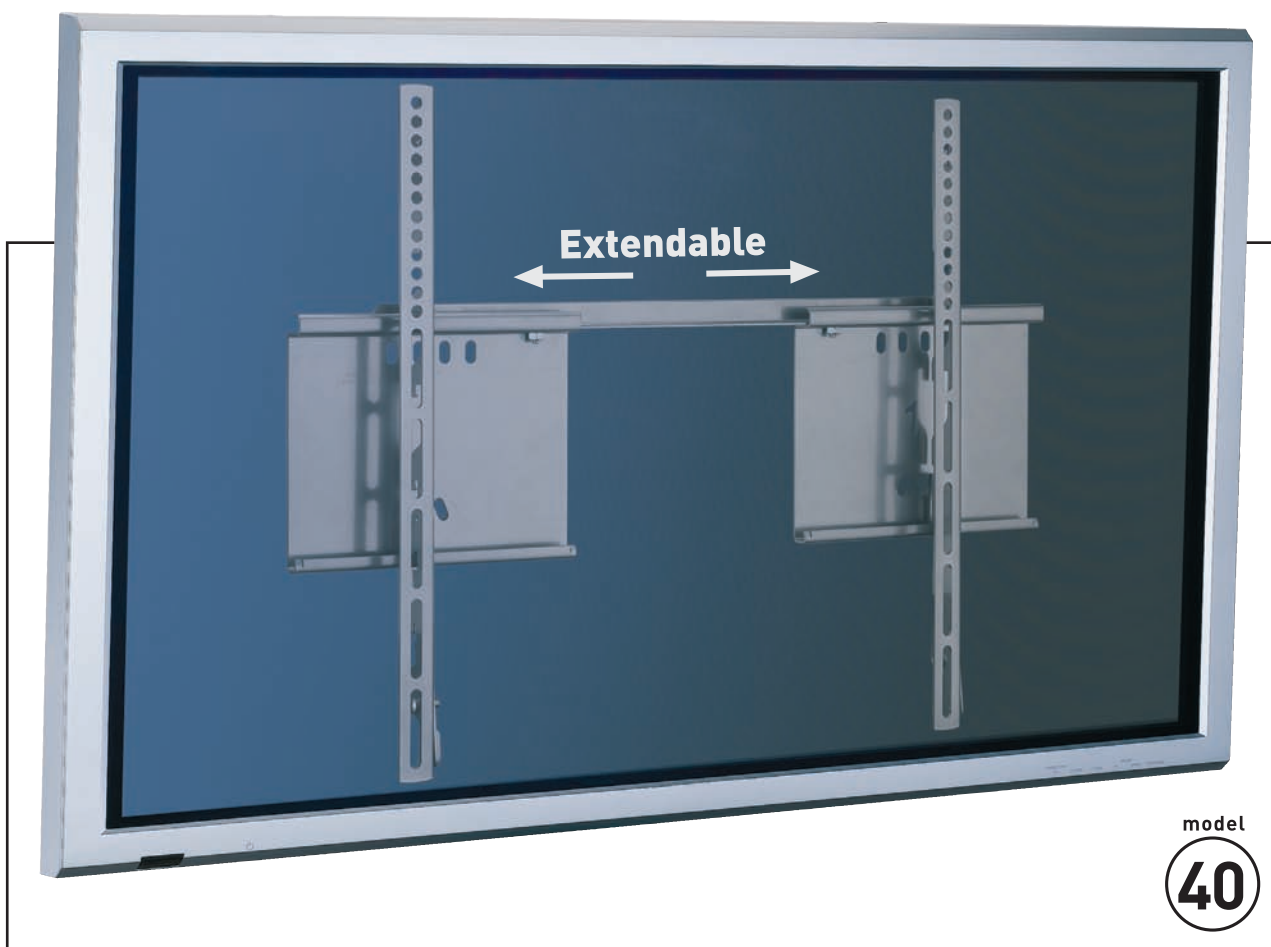




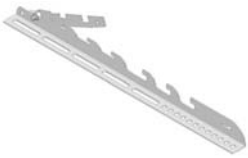






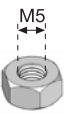


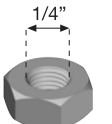
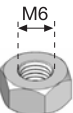
**Fixed**

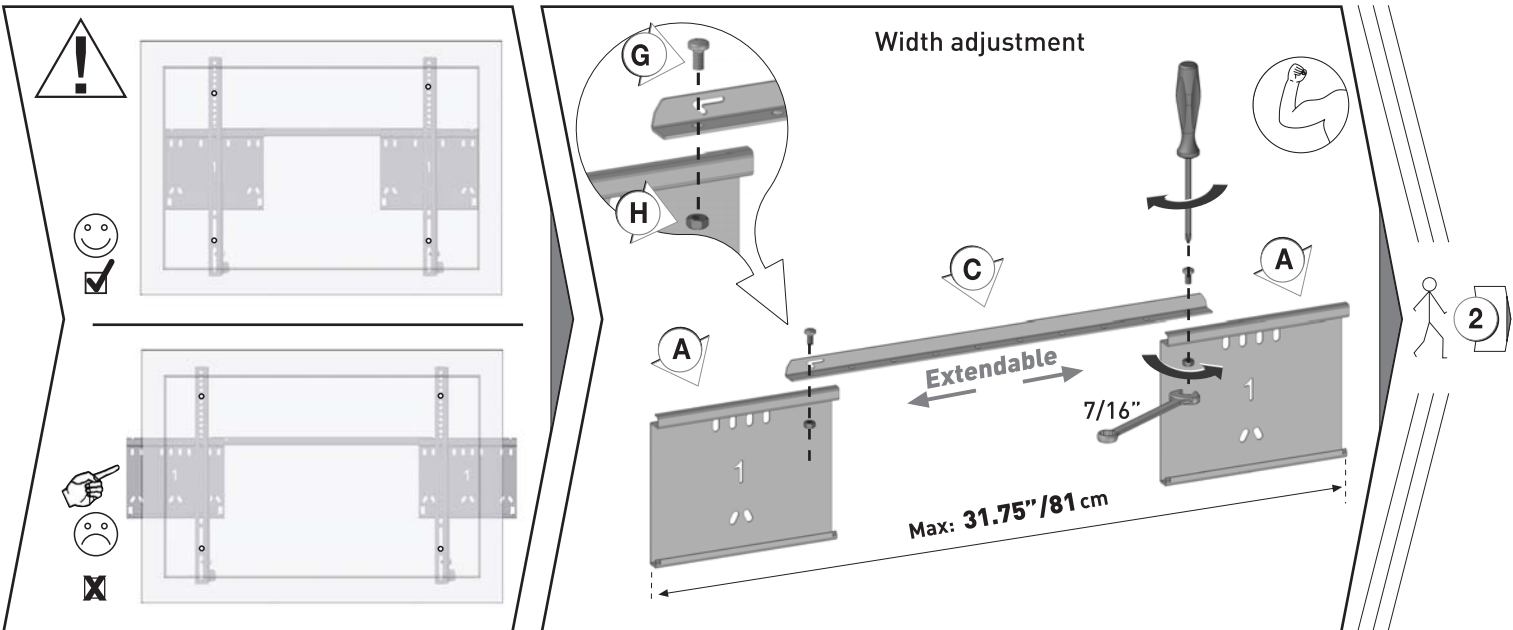
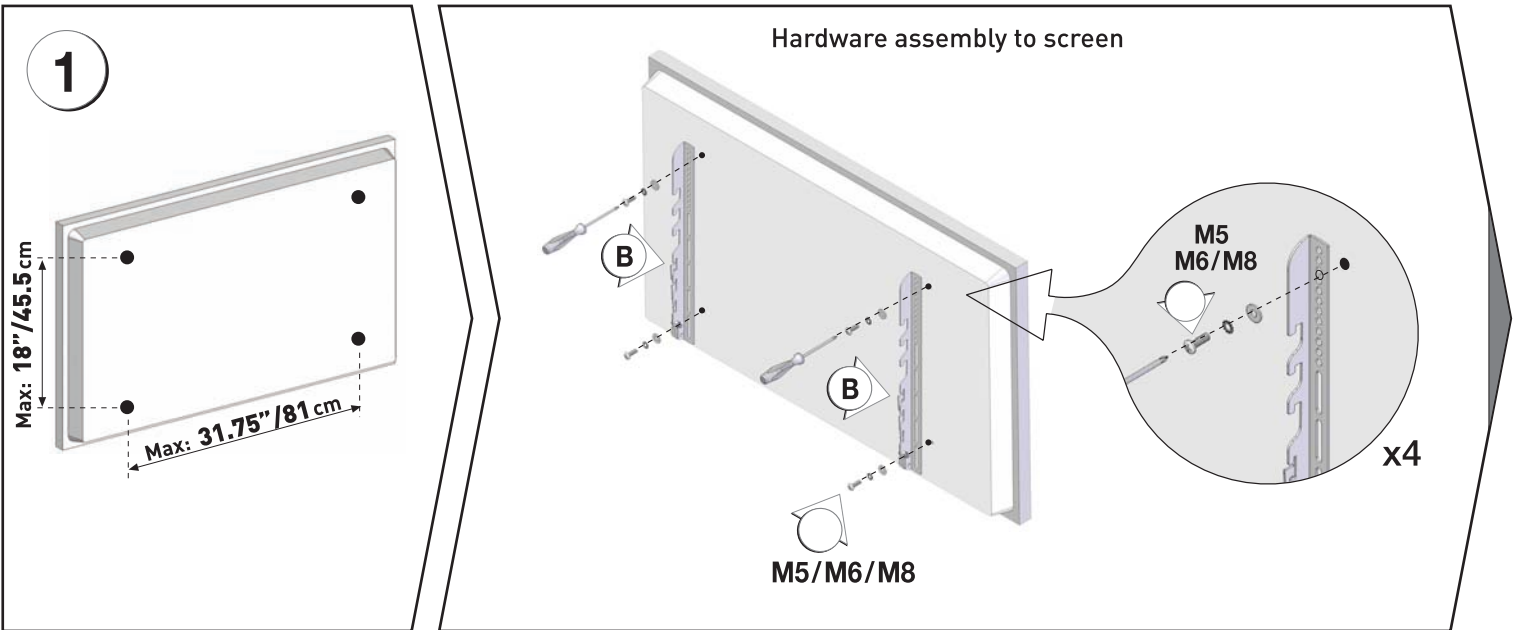
# PLASMA/LCD mount

Safety & assembly instructions



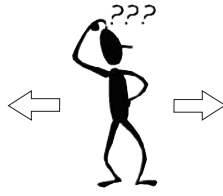
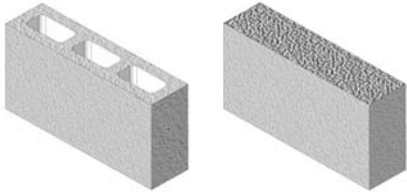
Max PLASMA / LCD		
<b>50" / 127 cm</b>		
 Max	US	EU
	143lbs	65 kg

1:10	A  x2		B  x2		C  x1	
	1:2	D  x1	E  x6	F  x6	M5  x4	M6  x4
I  x2		M8X35mm  x4	M8X25mm  x4	H  x2	J  x2	



2

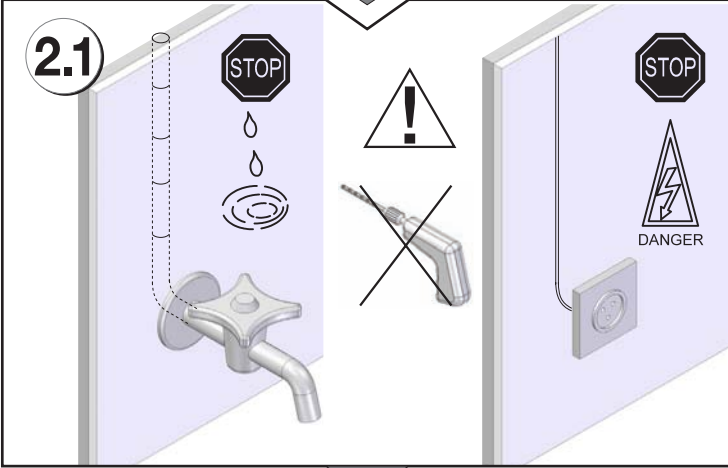
Concrete, Solid bricks or Hollow concrete block walls



Wood stud wall

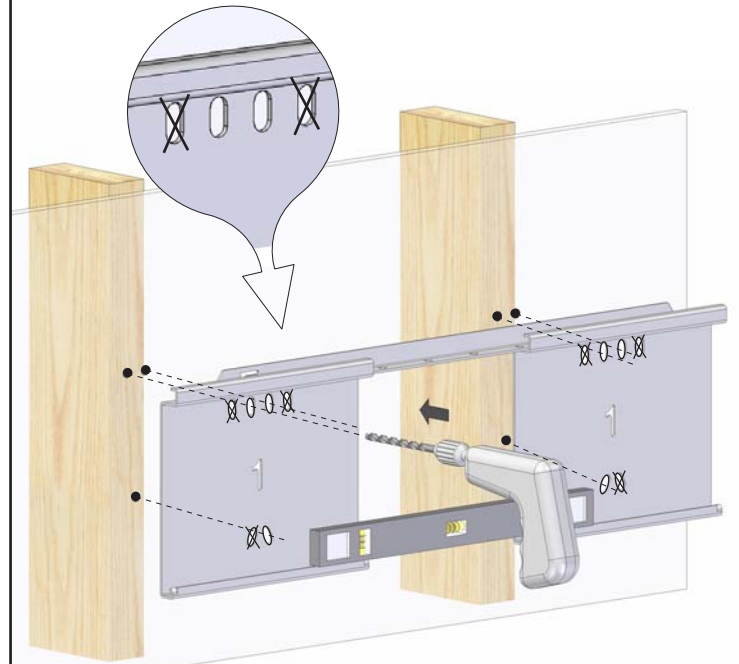


2.1

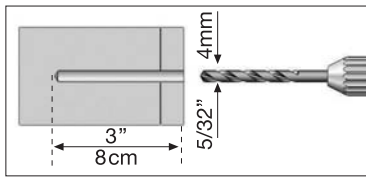
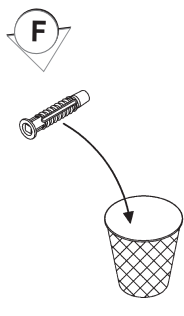
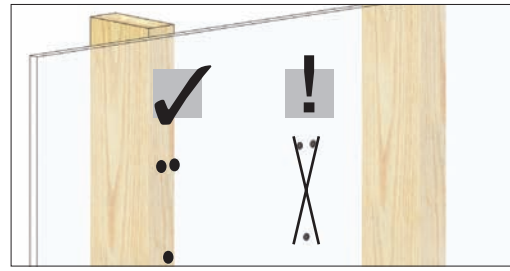
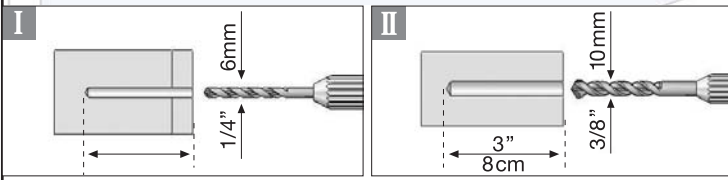
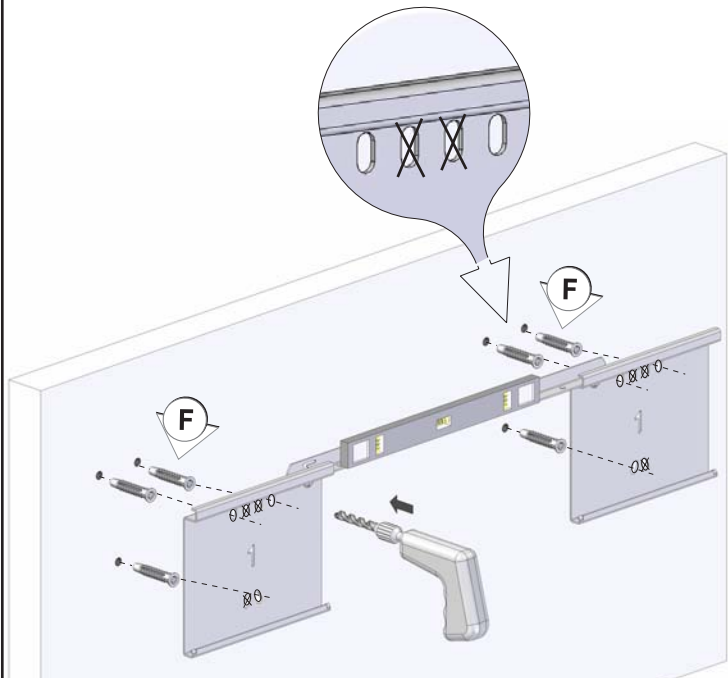


2A

Mark and drill

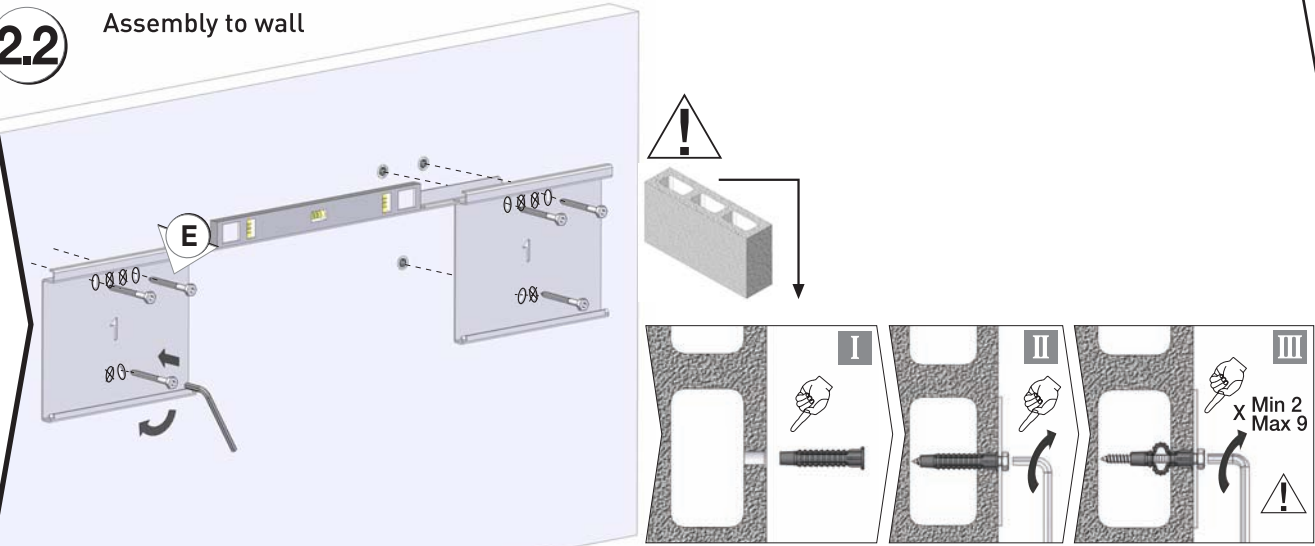


Mark and drill



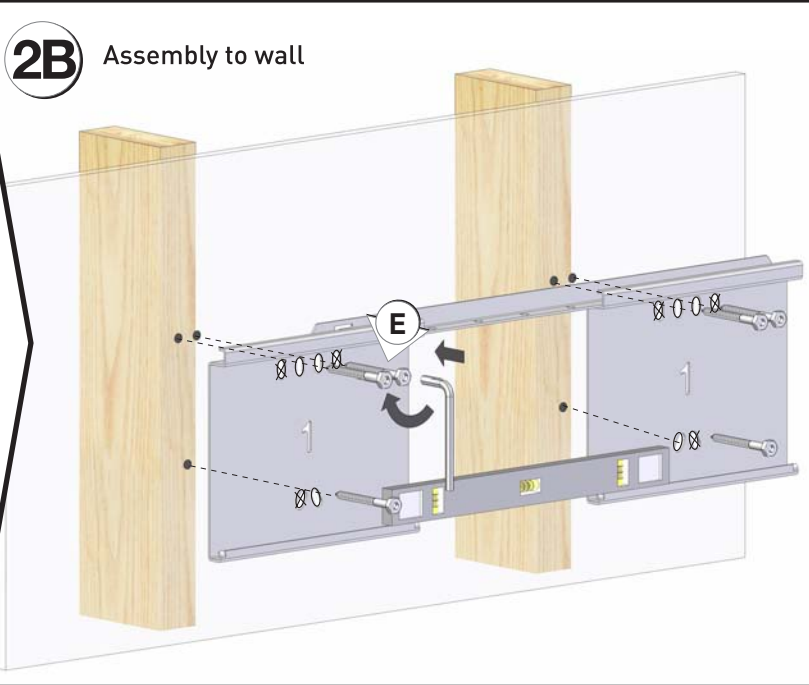
2.2

Assembly to wall



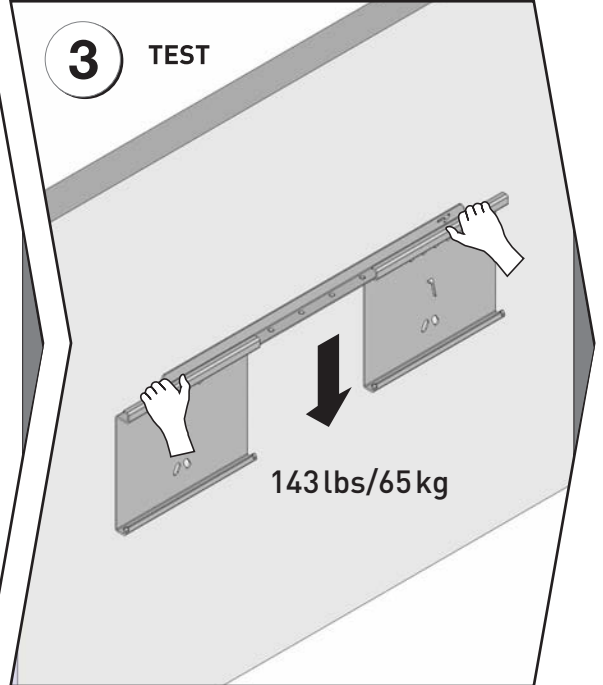
2B

Assembly to wall

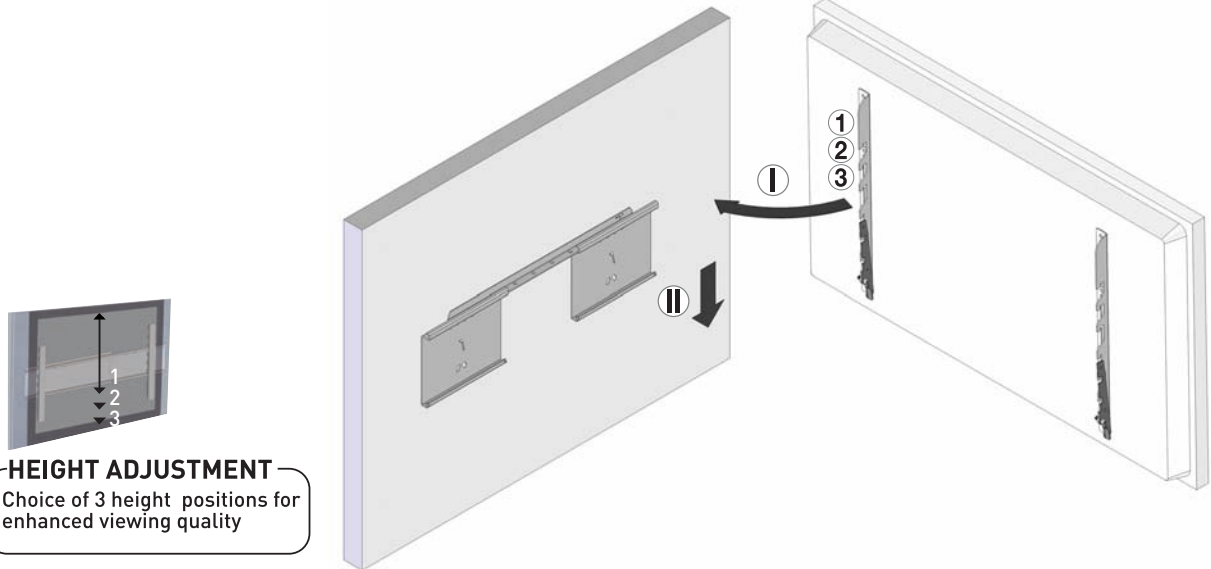


3

TEST



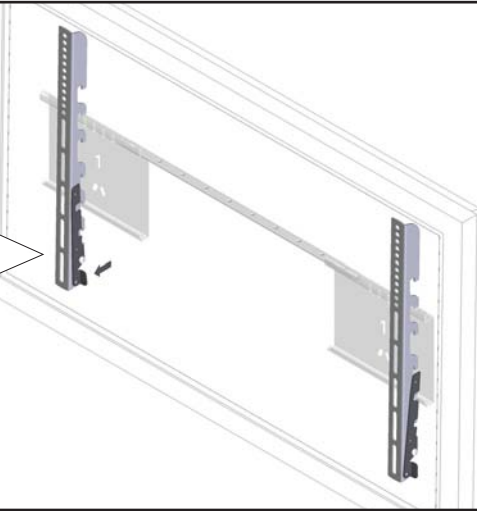
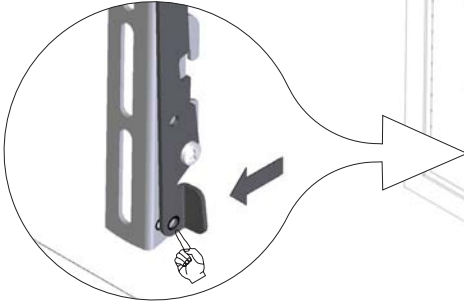
Mount screen to the wall



**HEIGHT ADJUSTMENT**  
Choice of 3 height positions for enhanced viewing quality

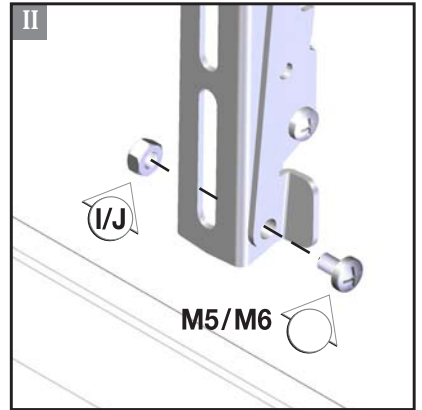
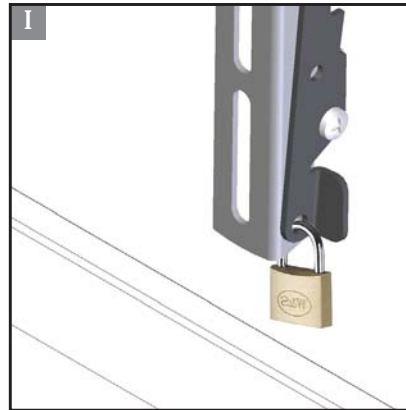
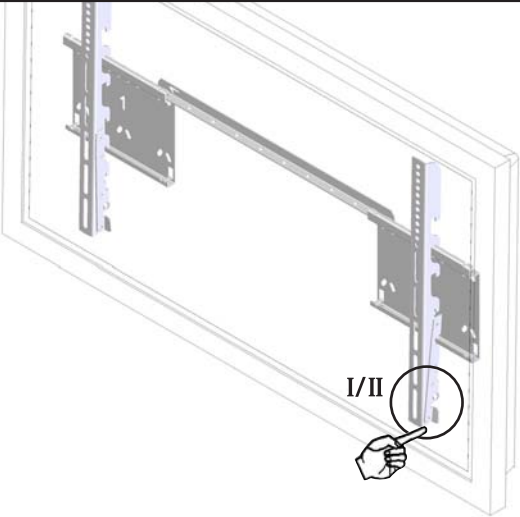


4



**FALL & THEFT PROOF**  
Secure locking system,  
preventing theft and accidents

**Padlock/safety hardware assembly**



Left ← Right



**Left & right adjustment**  
Easy screen positioning during  
installation, for enhanced  
viewing quality

