

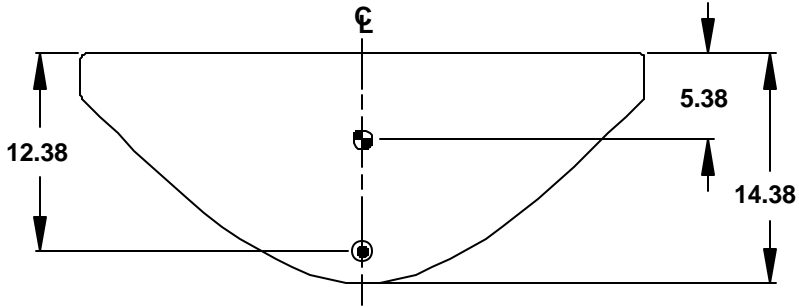


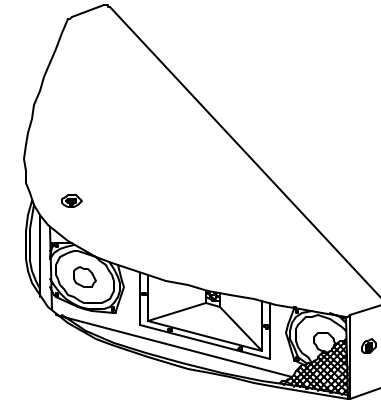
NOTES:

1. SYMBOL  INDICATES MOUNTING POINT, 1/4 -20 THREADED HOLE.
2. SYMBOL  INDICATES CENTER OF BALANCE.
3. WEIGHT APPROX. 32 LBS.
4. SHIPPING WEIGHT APPROX. 39 LBS.

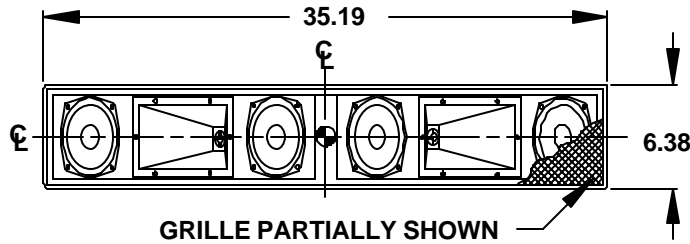
REV	DESCRIPTION	APVD/DATE
1	REVISED PER ECO #4996 DM 5/31/01	JRM 6/7/01
B	ORACLE REVISION CONVERSION DRAWING WAS REVISION 1 UPDATED PER ECO#5151 JH 7/30/01	SS 7/31/01



TOP/BOTTOM
DIMENSIONS APPLY
TO TOP AND BOTTOM

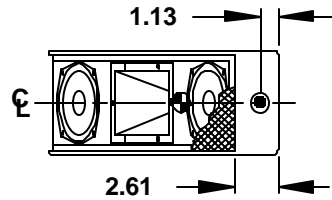


UB42

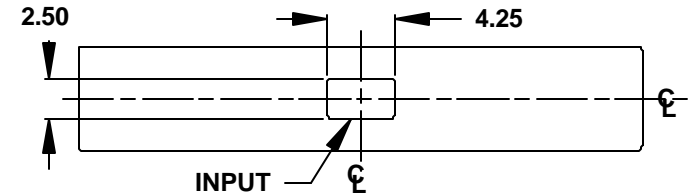


GRILLE PARTIALLY SHOWN

FRONT

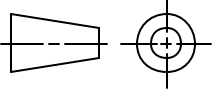


RIGHT SIDE
DIMENSIONS APPLY
TO BOTH SIDES



BACK

DOCUMENT CONTROL PER SPECIFICATION 4.5.201

<p>THIRD ANGLE PROJECTION</p> 	<p>UNLESS OTHERWISE SPECIFIED: ALL DIMENSIONS ARE IN INCHES TOLERANCE IN INCHES .XX ± 13 ANGLES ±1°</p> <p>(X.XX) = REF DIMS NO TOLERANCE IMPLIED</p> <p>T.S.C.—THEORETICAL SHARP CORNER</p> <p>DIMENSIONS ACROSS CENTERLINES TO BE SYMMETRICAL</p>	<p>STATUS: PRODUCTION</p>		<p>EAOW EASTERN ACOUSTIC WORKS ONE MAIN STREET WHITINSVILLE, MA 01588 USA</p>
		<p>APPROVALS</p> <p>DRAWN: NYSTEDT</p> <p>CHECKED: JW B</p> <p>DES ENG: JR</p> <p>MFG ENG: JS</p>	<p>DATE</p> <p>2/14/97</p> <p>2/26/97</p> <p>3/6/97</p> <p>3/9/97</p>	
<p>THIS DRAWING IS THE PROPERTY OF EAW AND SHALL NOT BE COPIED, REPRODUCED, OR USED AS THE BASIS FOR MANUFACTURE OR SALE OF APPARATUS WITHOUT WRITTEN AUTHORIZATION. DO NOT SCALE DRAWING.</p>		<p>A SHEET 1 OF 1</p>	<p>SCALE: 1 TO 10</p>	<p>DRAWING NUMBER: 510168</p> <p>REVISION: B</p>