



the rules of sound

**RCF**

[HOME PAGE](#)

[ABOUT US](#)

[PRODUCTS](#)

[NEWS](#)

[REFERENCES](#)

[DOWNLOADS](#)

[CONTACTS US](#)

## Pro Constructor series

### Sub 2x18 High Power Deep Low Frequency

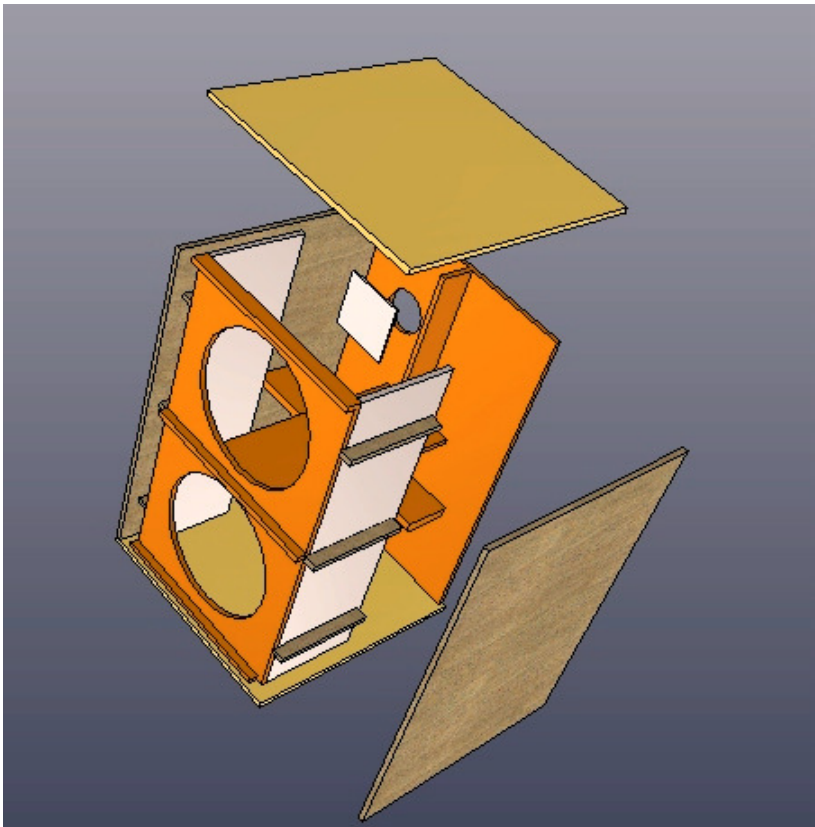
The Sub 2x18 is a very high power deep low frequency sub-woofer, with response to 30hz.

Ideal for Club, Cinema, Touring, line array, DJ, or install .

Compact and high fidelity

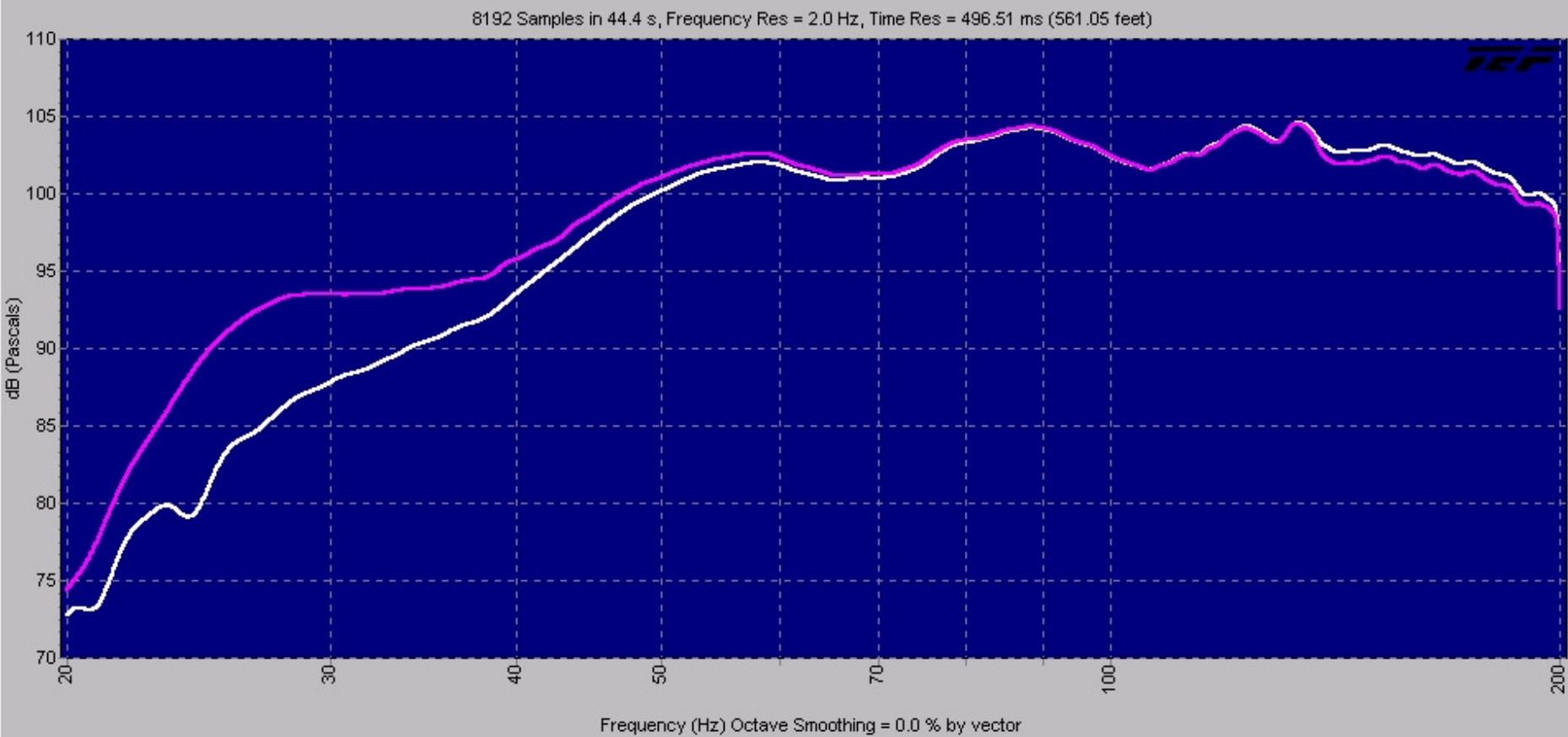
Application: P.A. , Dance, Concert

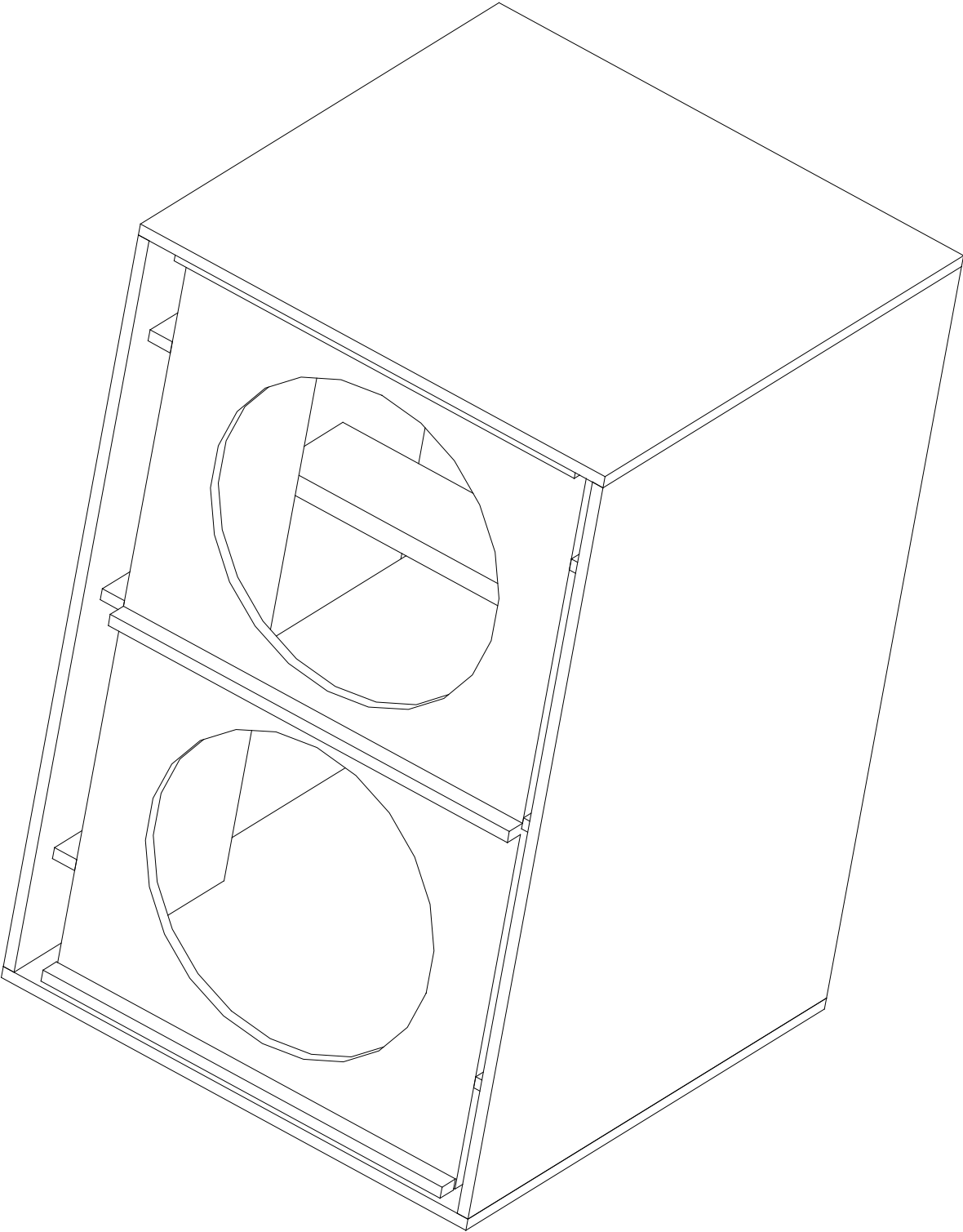
2000 watts, X-over point 80Hz to 300Hz

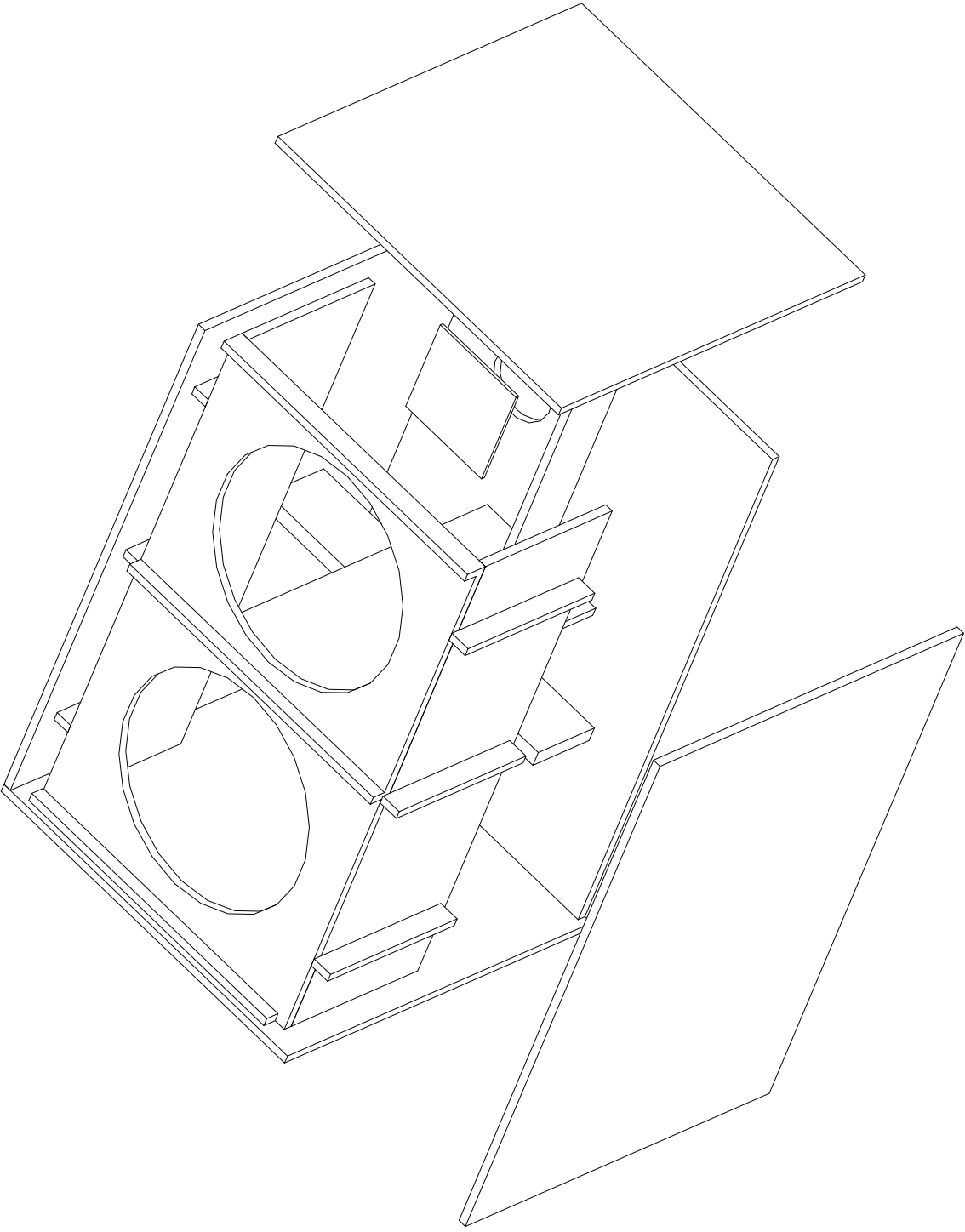


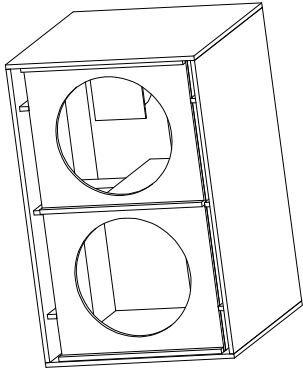
double 18 vb=8 WITH eq SPL note may3  
5/3/09 4:08:53 PM Living room  
out 1w/1m 2.84v

double 18 vb=8 --NO--eq SPL note may3.tds    double 18 vb=8 WITH eq SPL note may3    double 18 vb=8 WITH eq SPL note may3





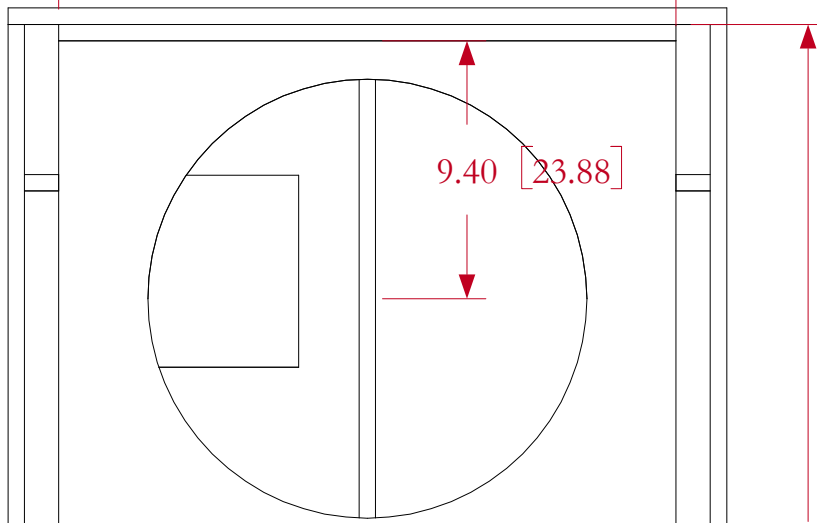




26.20 [66.55]

22.50 [57.15]

40.75 [103.50]

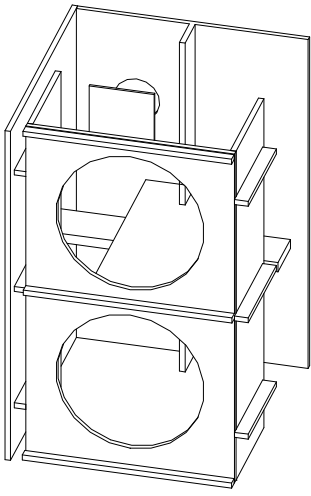


9.40 [23.88]

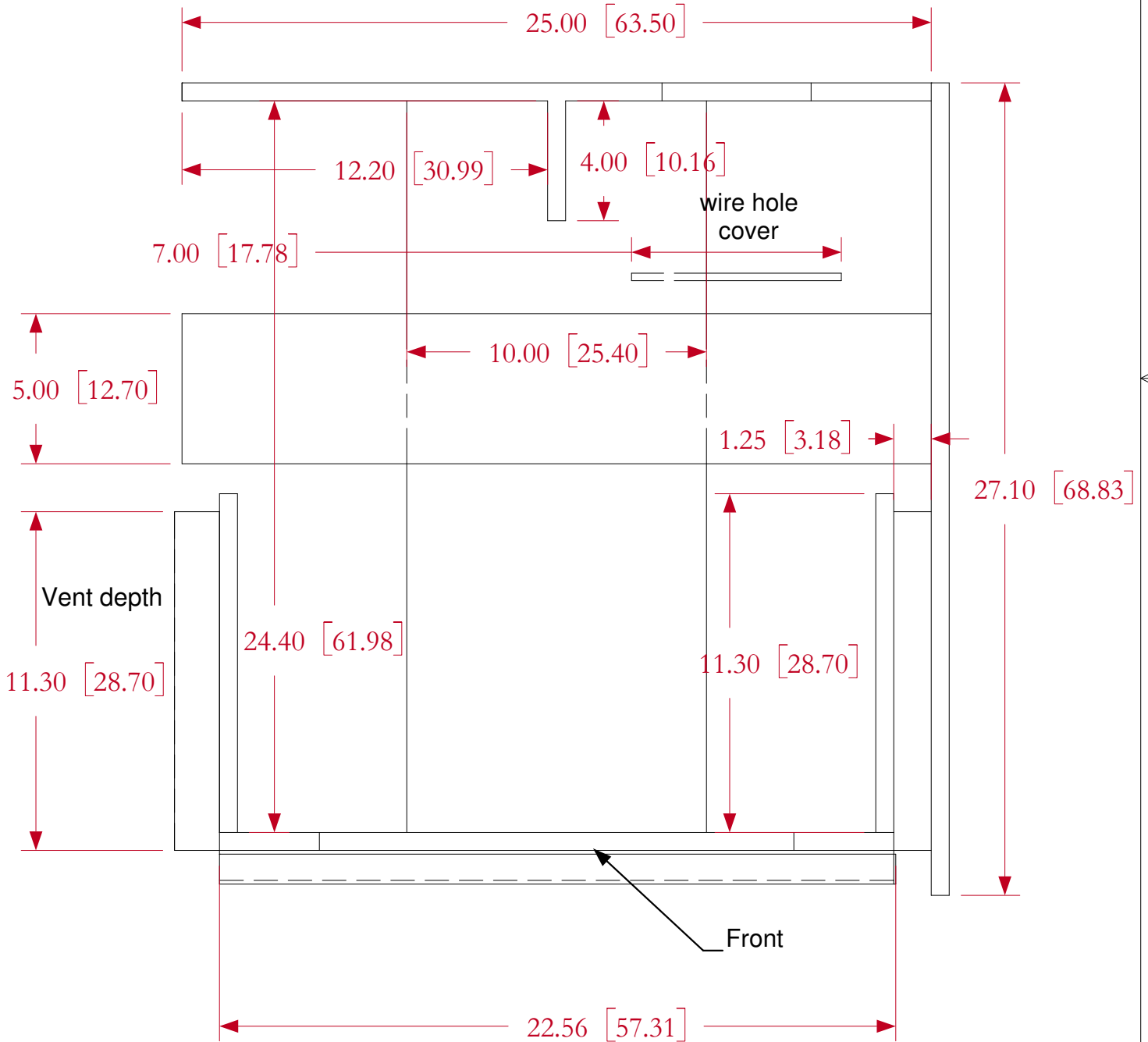
39.55 [100.46]

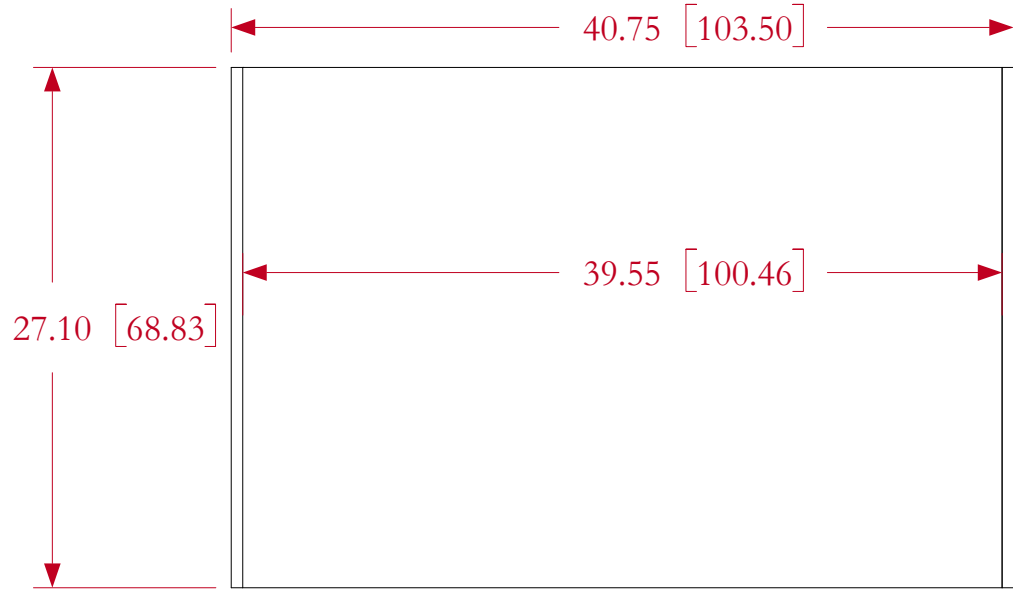
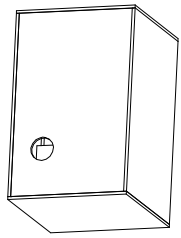
R 8.00 [20.32]

1.25 [3.18]

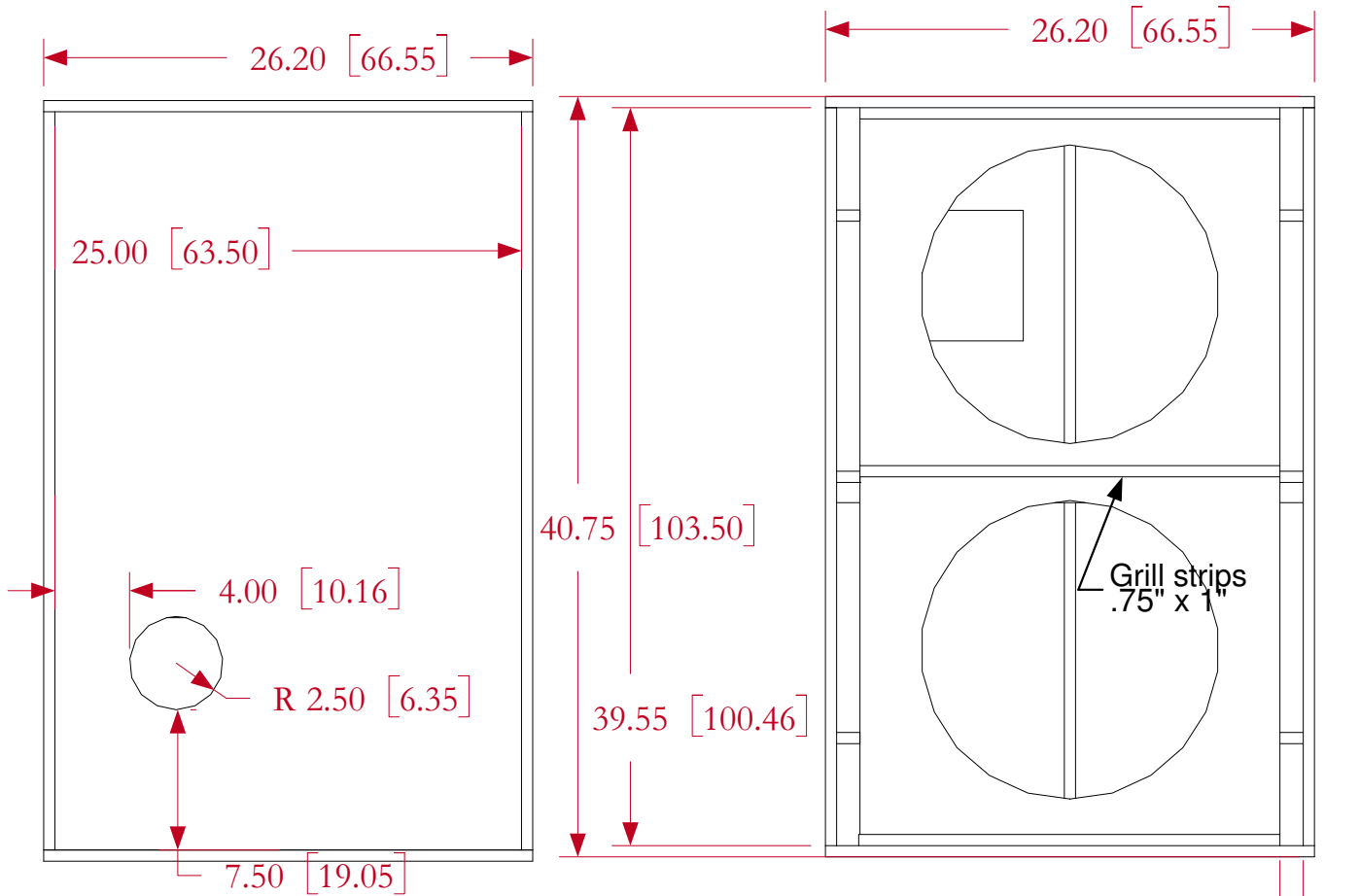


TOP view-





TOP



Back

front

1.25 [3.18]

