

# Pro Constructor series

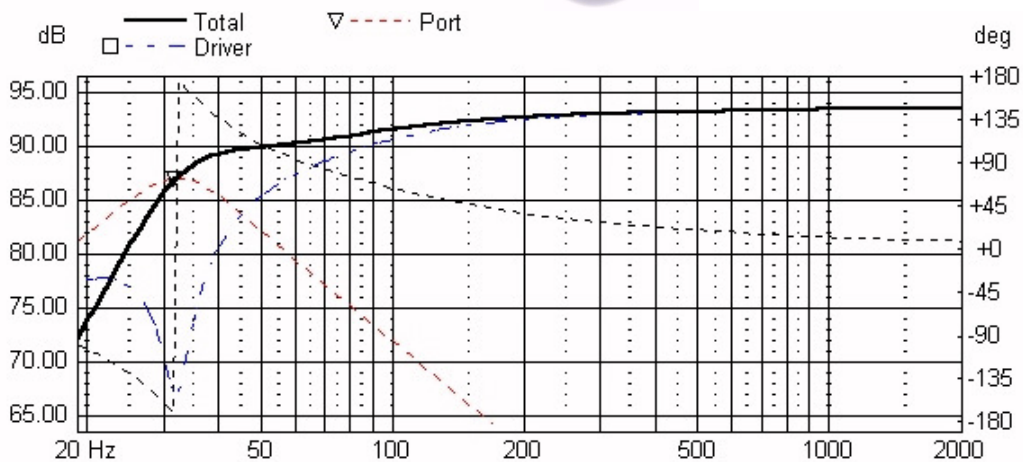
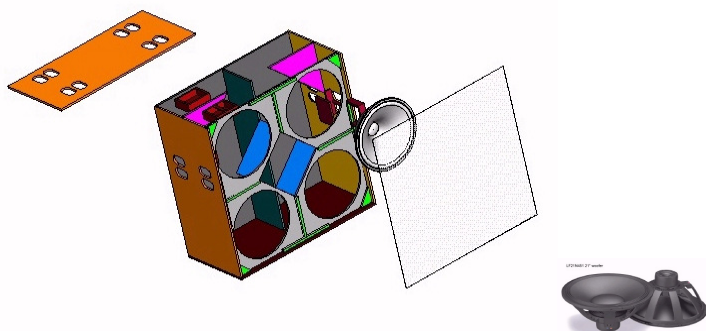
## Sub 4x 21 High Power Deep Low Frequency

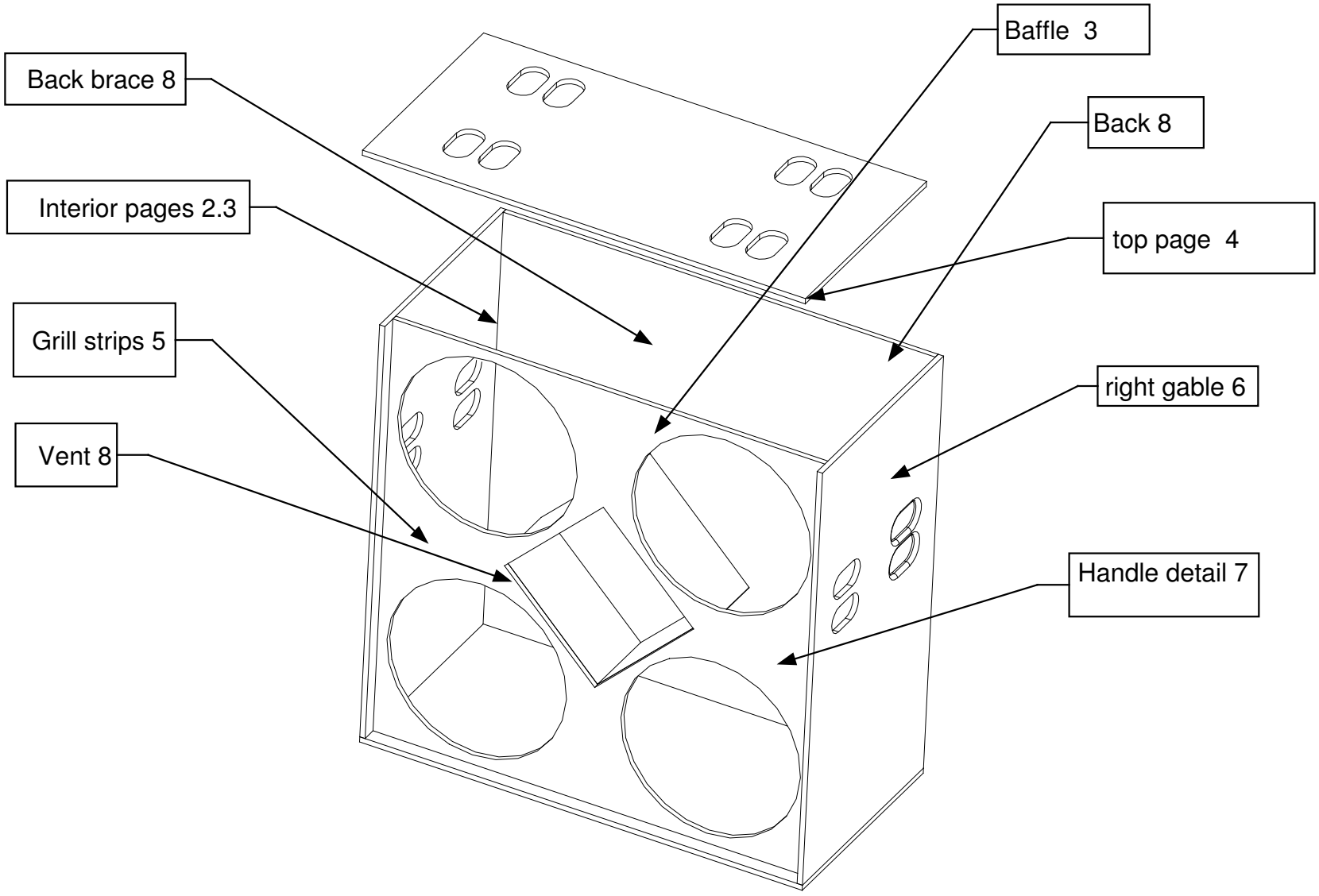
The Sub 4x21 is an extremely high power deep low frequency sub-woofer, with response to 30hz. 12000 watts

Large scale sound reproduction, dance, motion picture theater. Compact and high fidelity

### LF21N451 x 4

Application: P.A. , Dance, Concert  
12000 watts, X-over point 80Hz to 300Hz

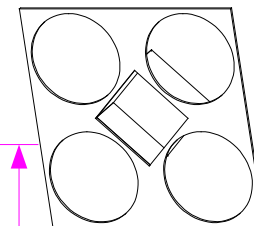
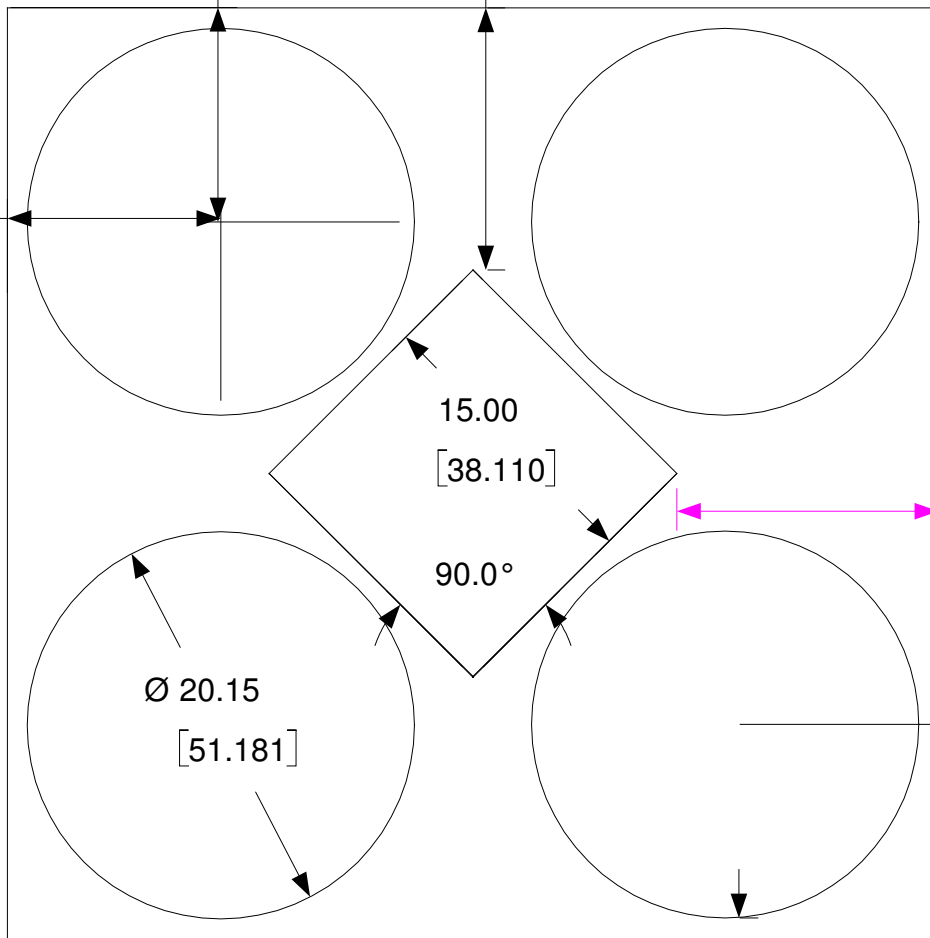




INDEX		
SIZE A	Date: Aug 19-09	

11.16 [28.351] 13.64 [34.646]

11.12 [28.241]

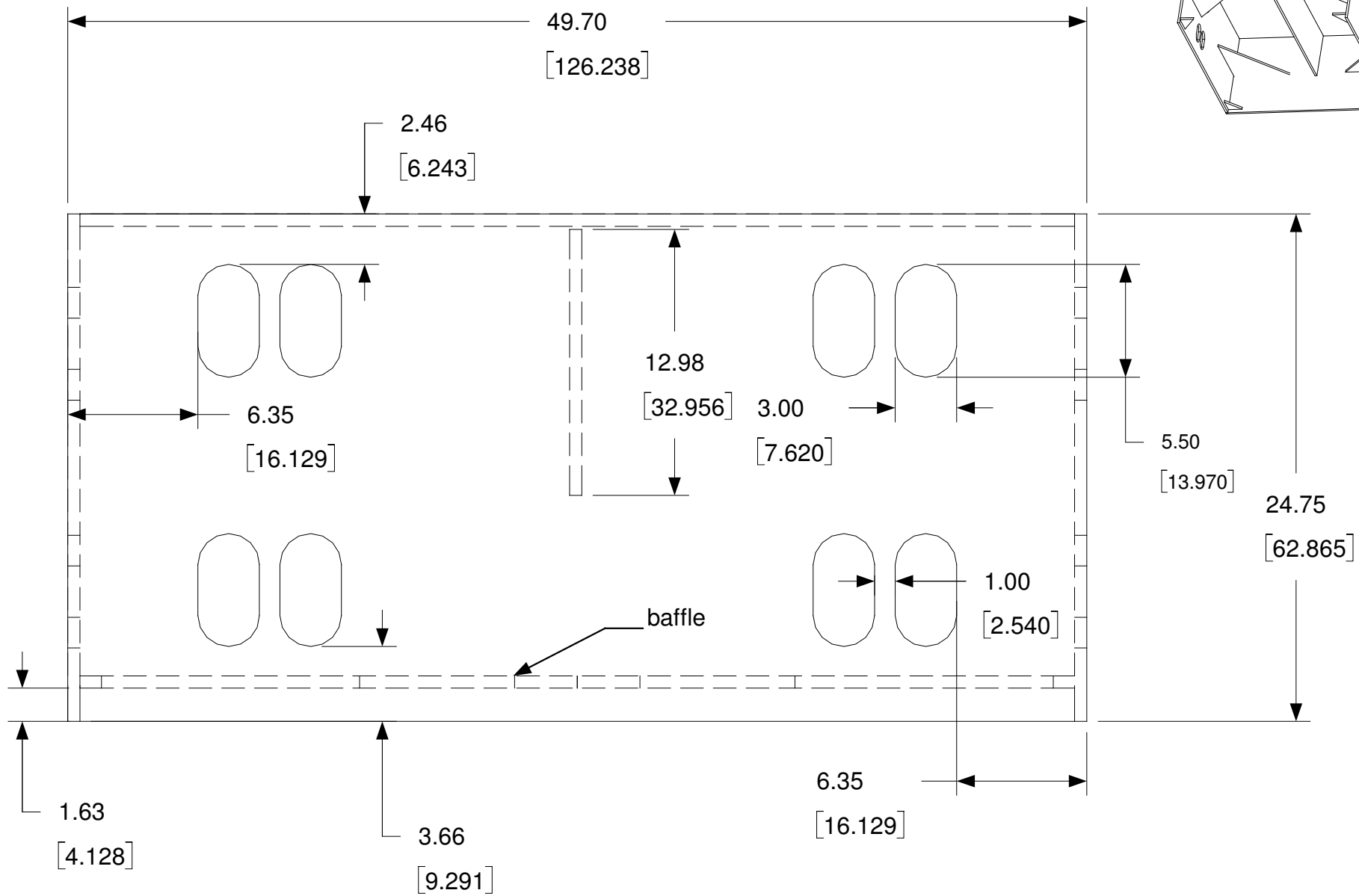
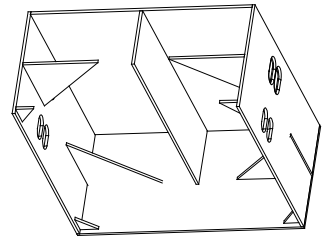


13.64 [34.647] 26.18 [66.488] 48.54 [123.300]

49.70 [126.238] 1.11 [2.816]

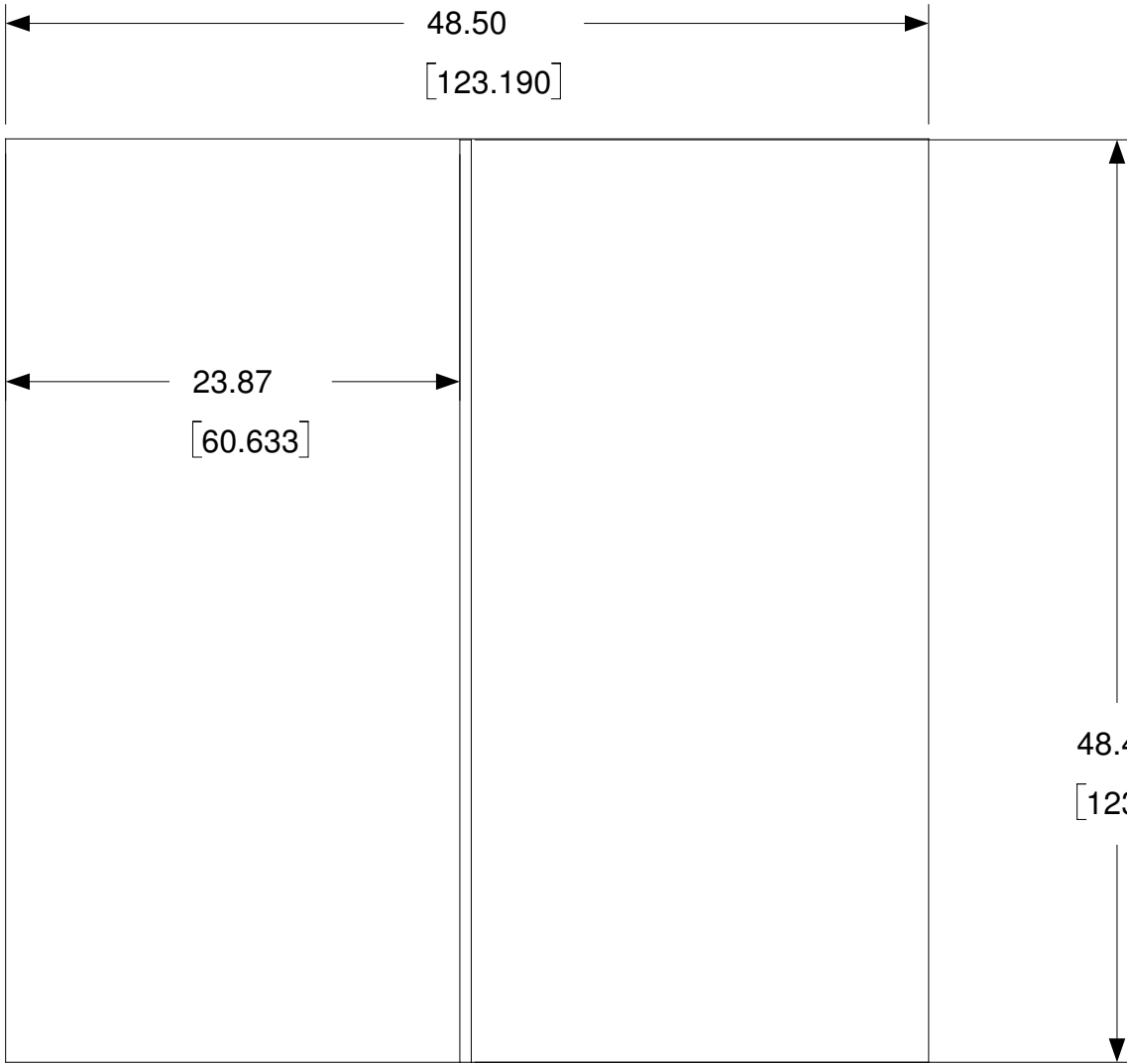
Baffle		
SIZE A	Date: Aug 19-09	Page 3



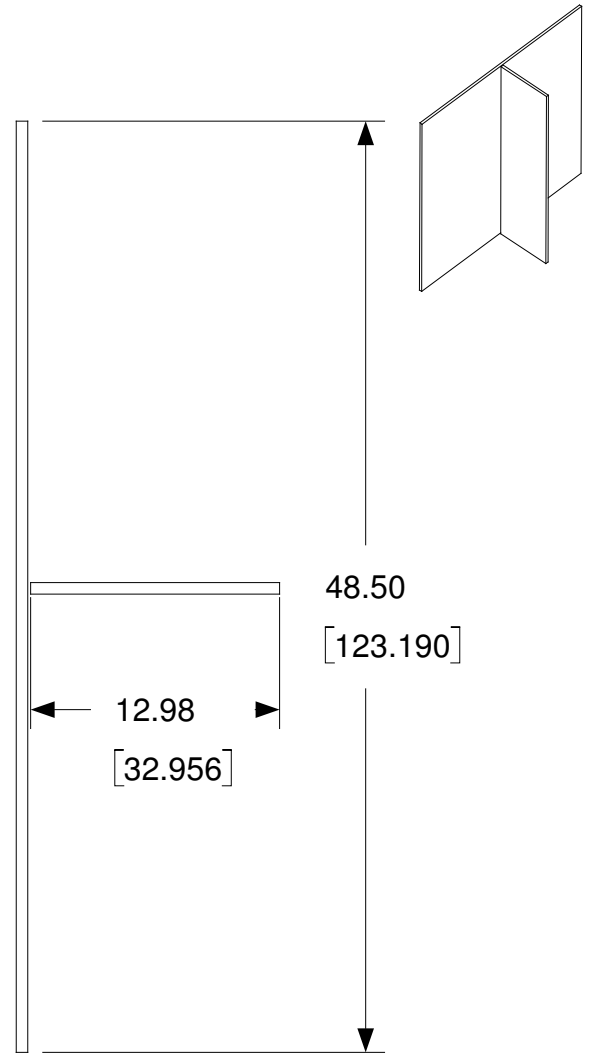


TOP		
SIZE A	Date: Aug 19-09	Page 4





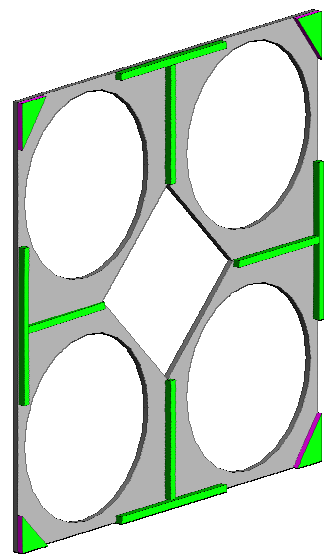
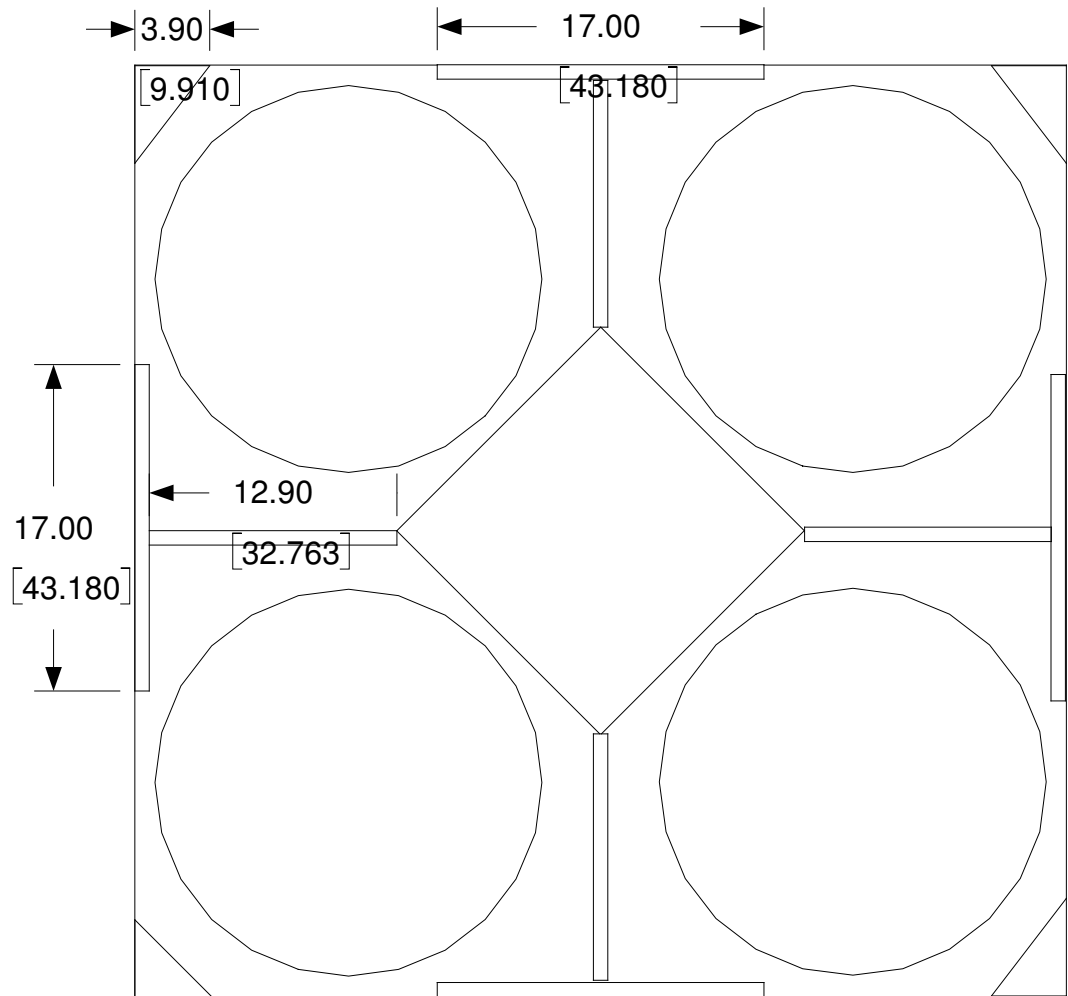
Front view



Top View

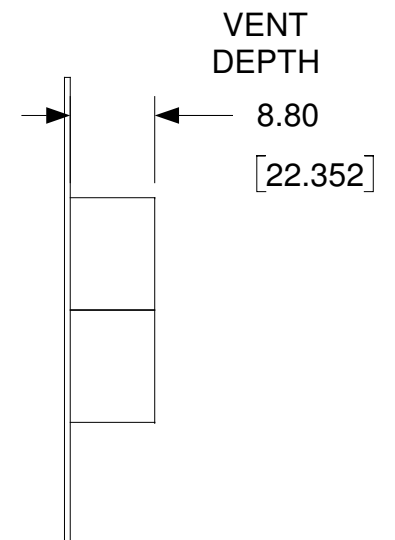
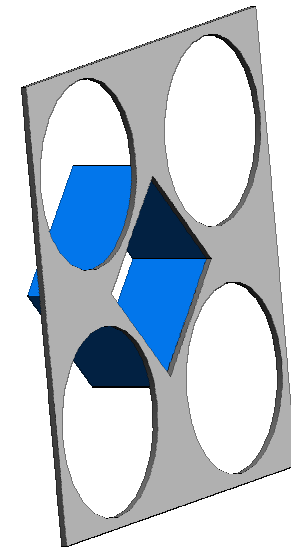
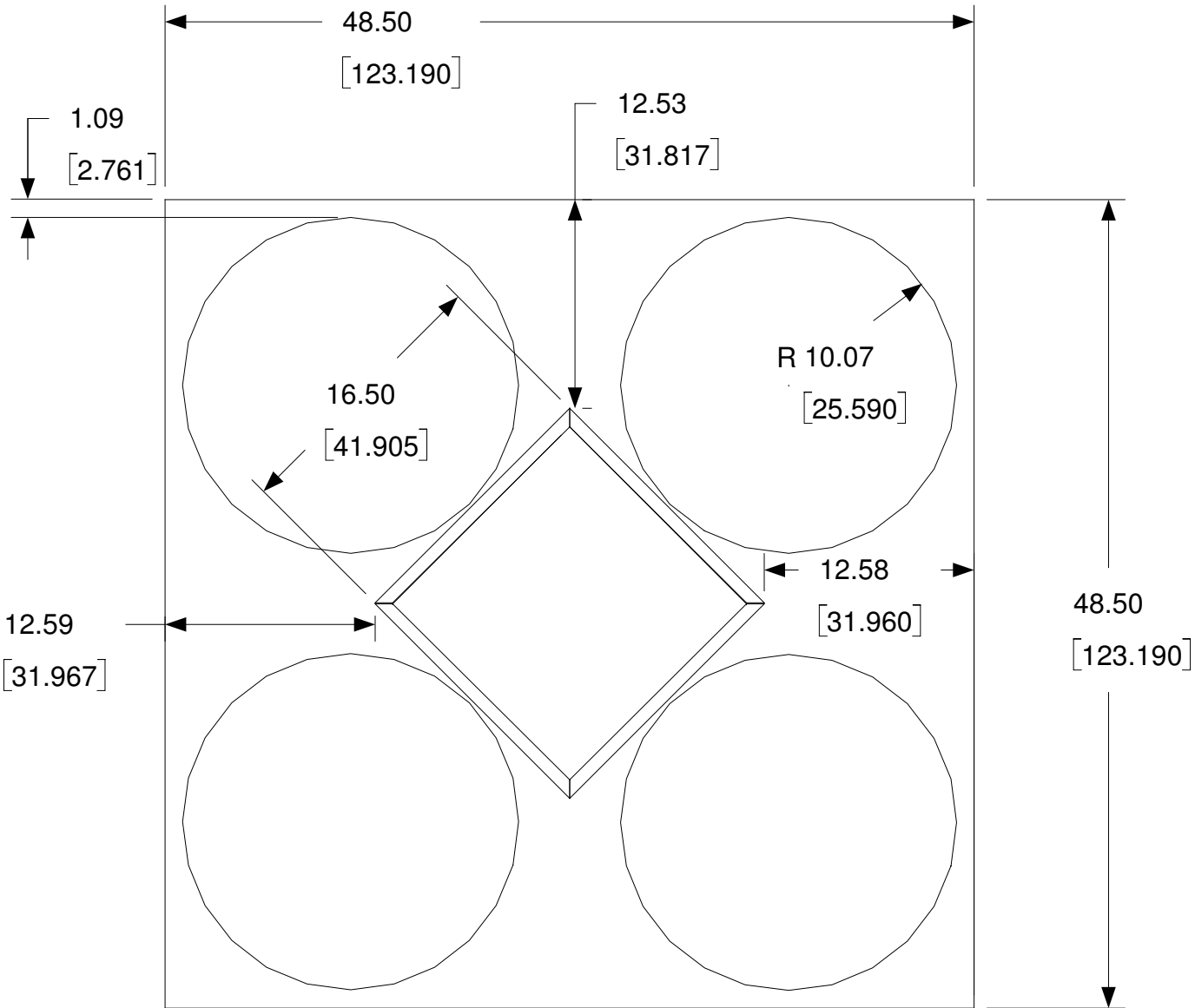
4-21 sub Back with Brace		
SIZE A	Date: Aug 24-09	Page 8





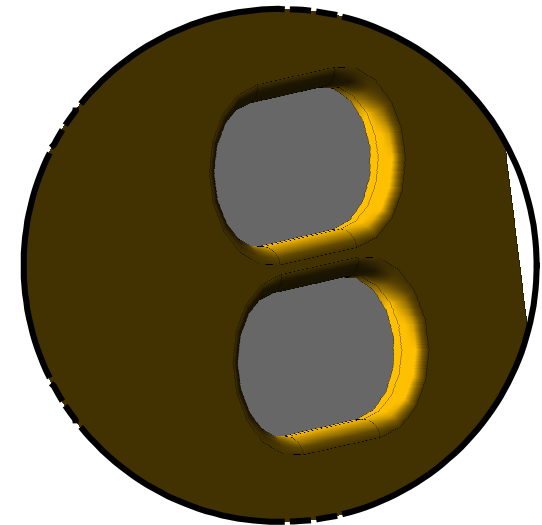
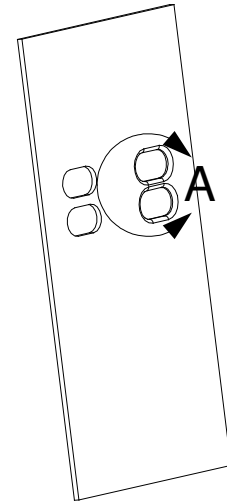
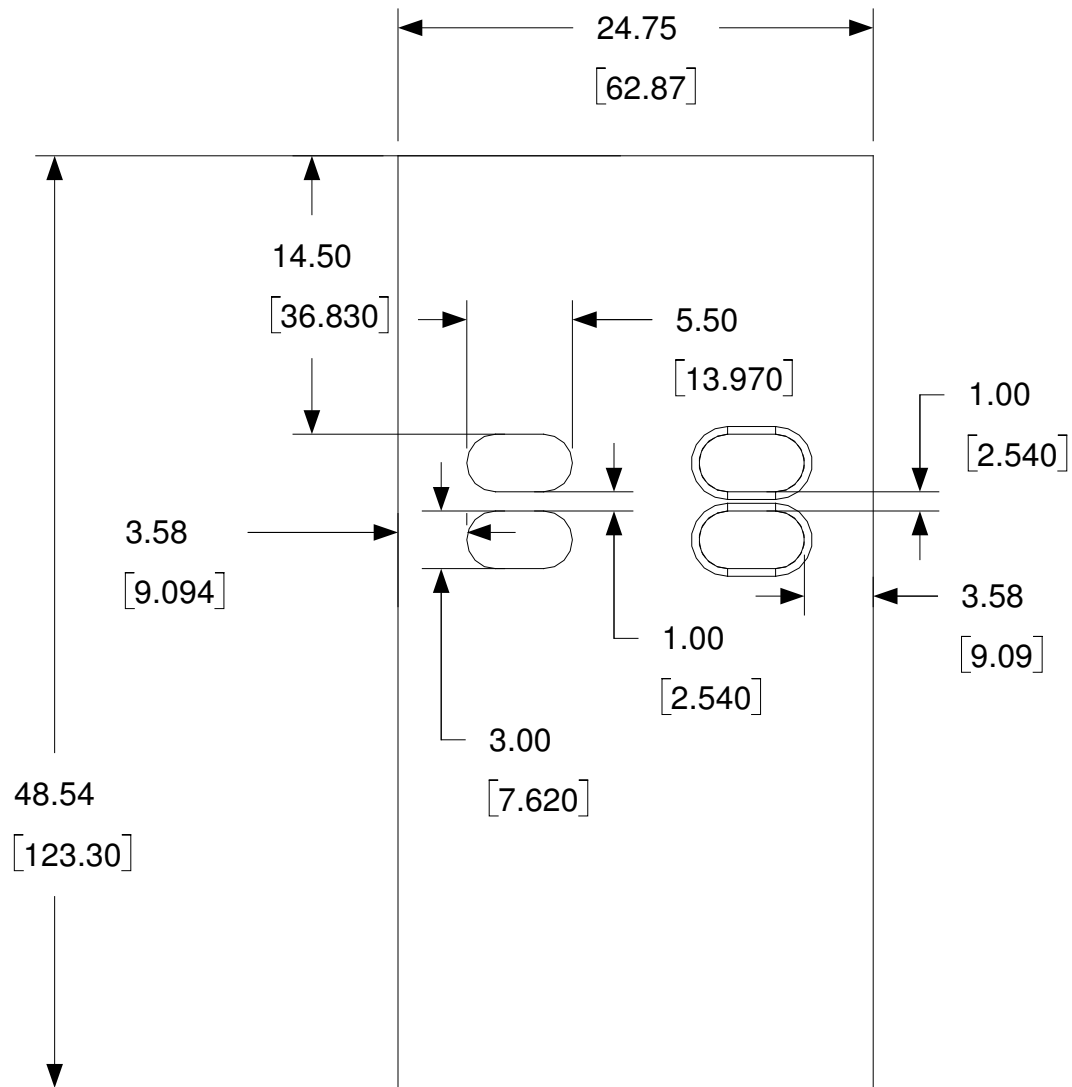
<b>Grill Strips</b>		
SIZE <b>A</b>	Date: Aug 24-09	Page 5





Vent		
SIZE A	Date: Aug 24-09	Page 9

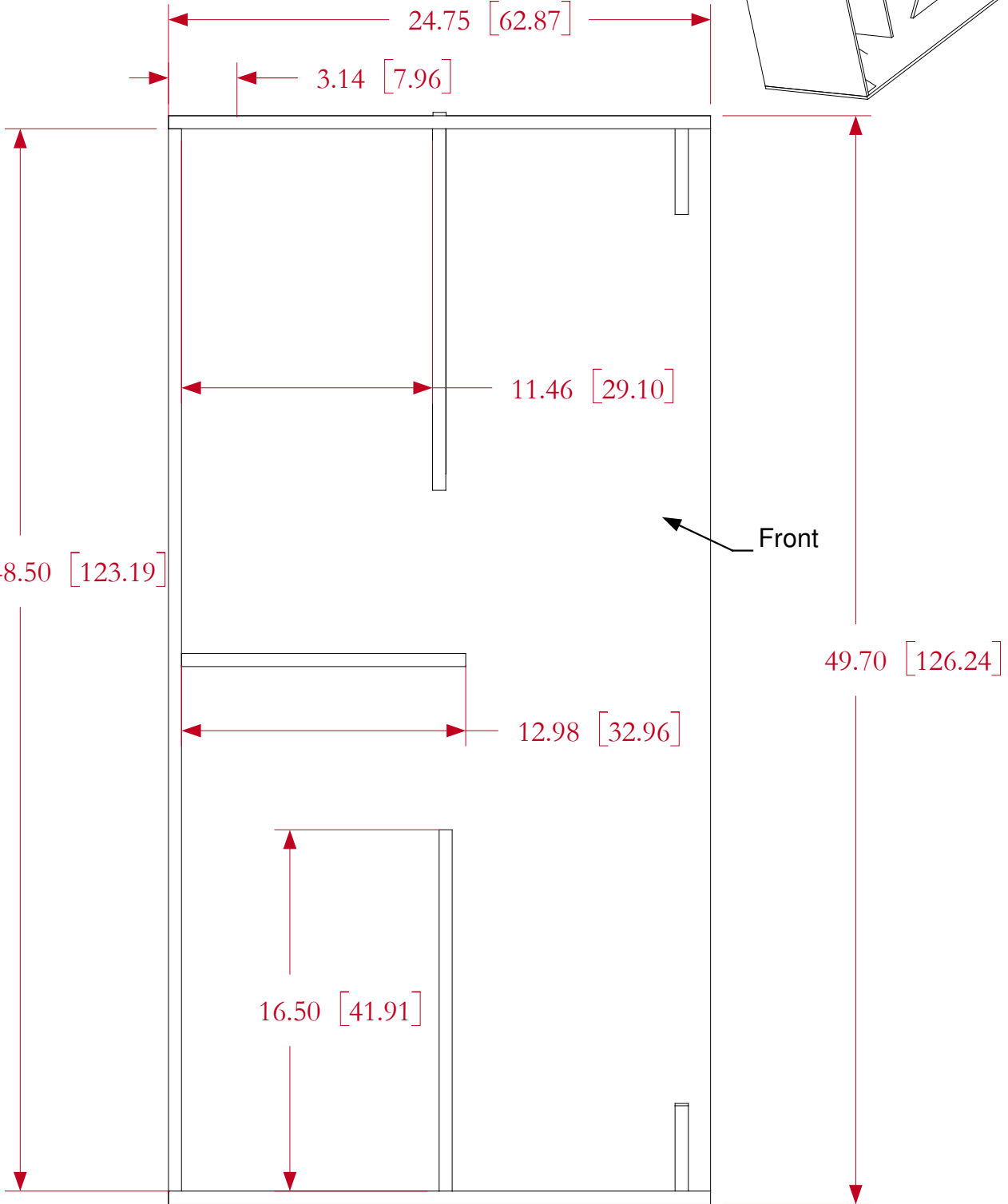
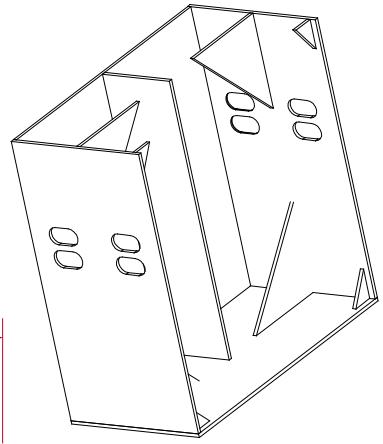




.4" radius outside only

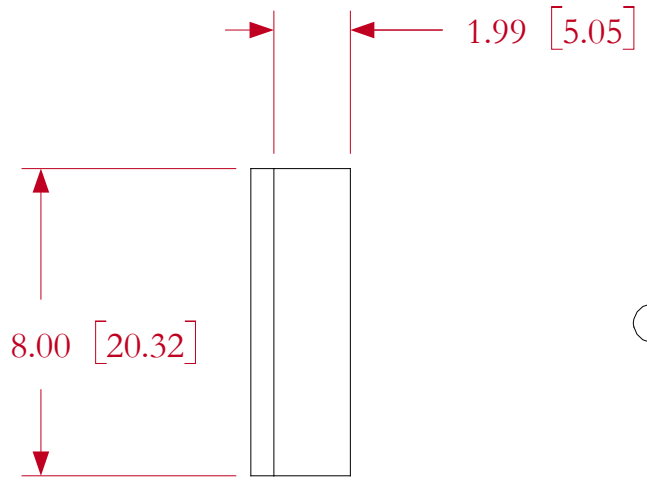
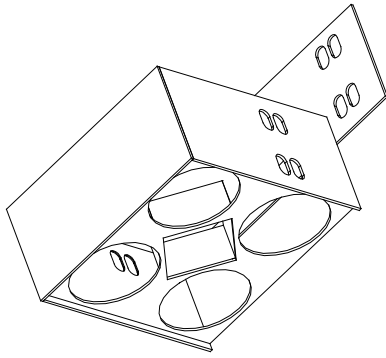
	Right Gable ( Side)	
SIZE A	Date: Aug 19-09	Page 6





Front

INTERIOR TOP VIEW		
Size A	Date Aug 24, 09	Page 3



.3 radius

