

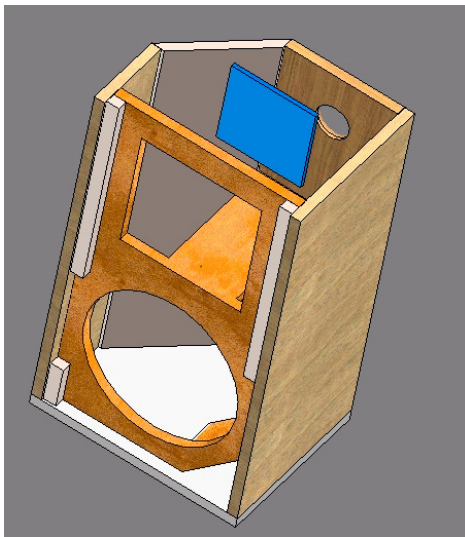
# Pro Constructor series

## Club 10

The club 10 Micro PA powerful , portable wide range system .

Application: Club P.A. , Dance, Install, Playback

400 watts, 90 x 40 dispersion. X-over point 1500Hz



HF driver Nd1411, Woofer L10-568h, HF horn H100

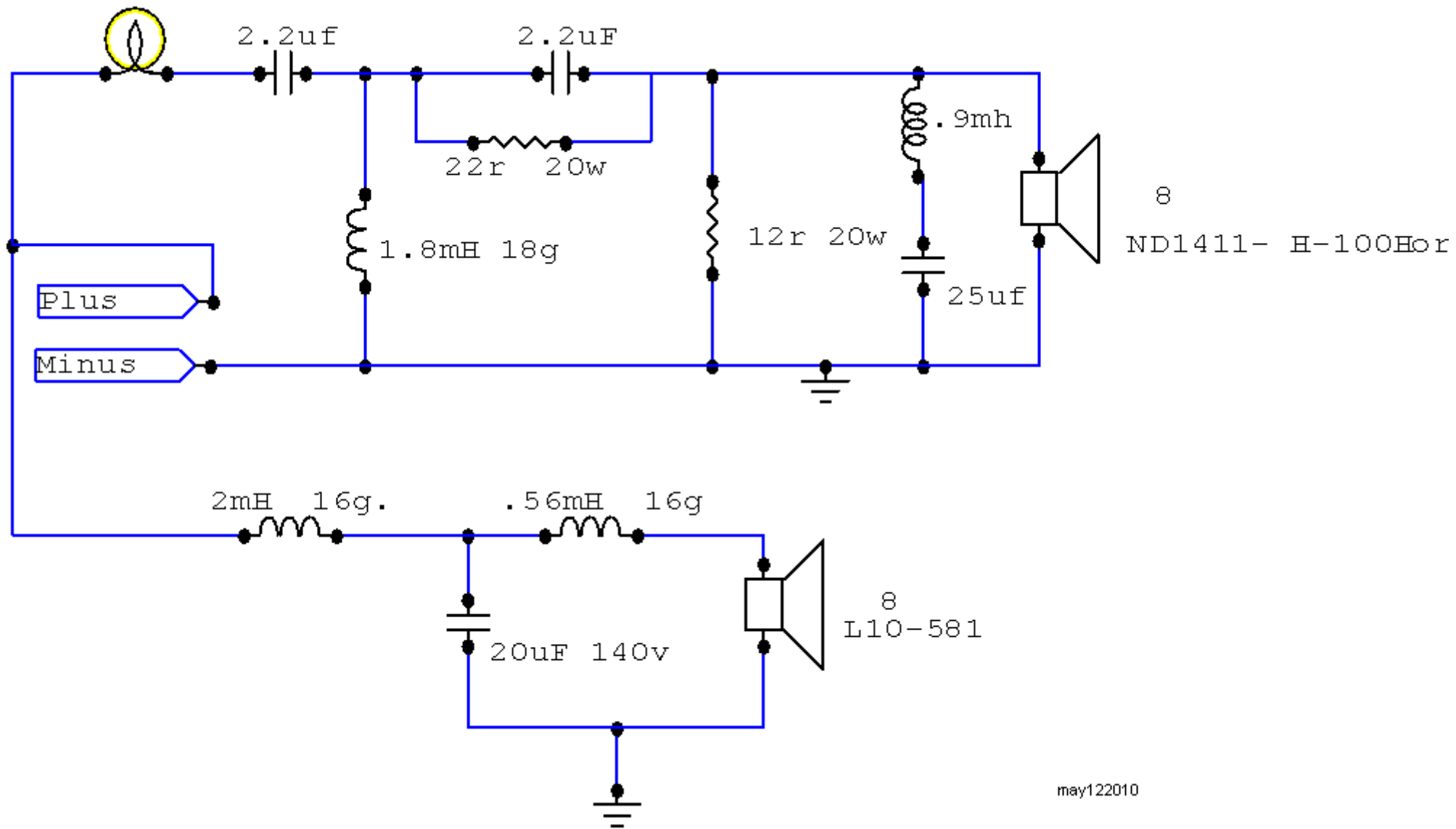
Gross Volume 1.5 cft ( 42 Liters)

club 12 all+ 6db 60hz -3oct  
12/20/08 5:11:25 PM livingroom

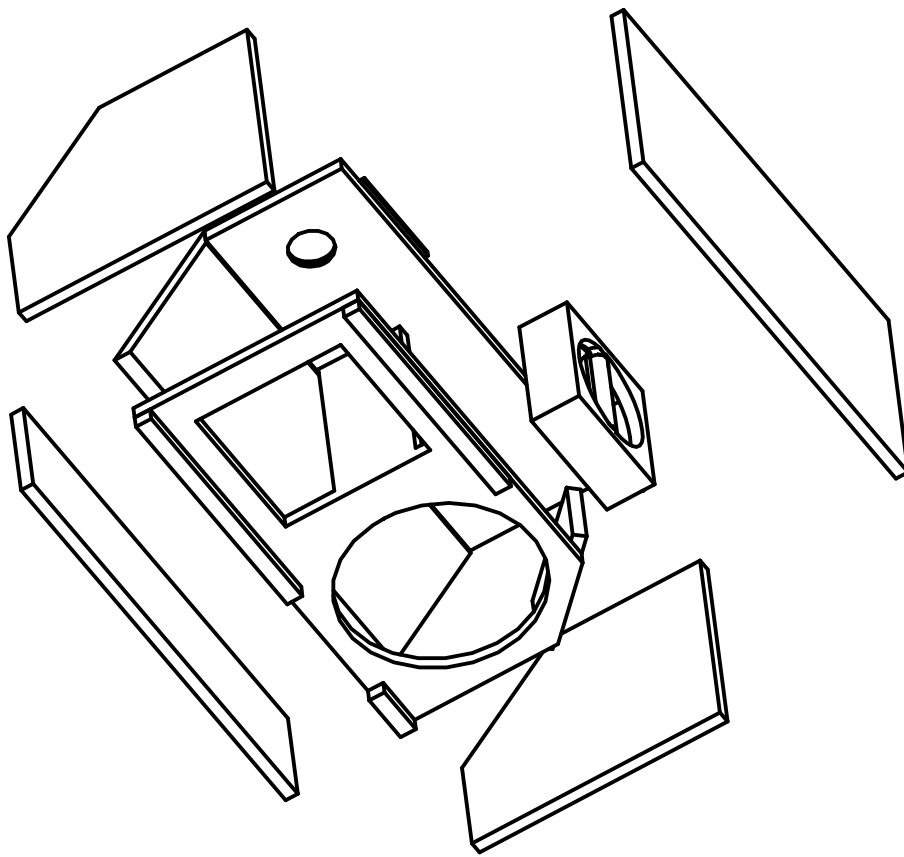
club 10 all no eq.tds club 10 LOW 20 Hz -180Hz WITH EQ.tds

4096 Samples in 23.9 s, Frequency Res = 2.5 Hz, Time Res = 404.54 ms (457.13 feet)



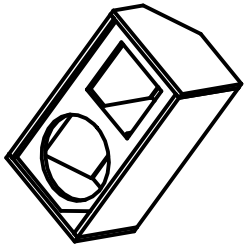


may122010

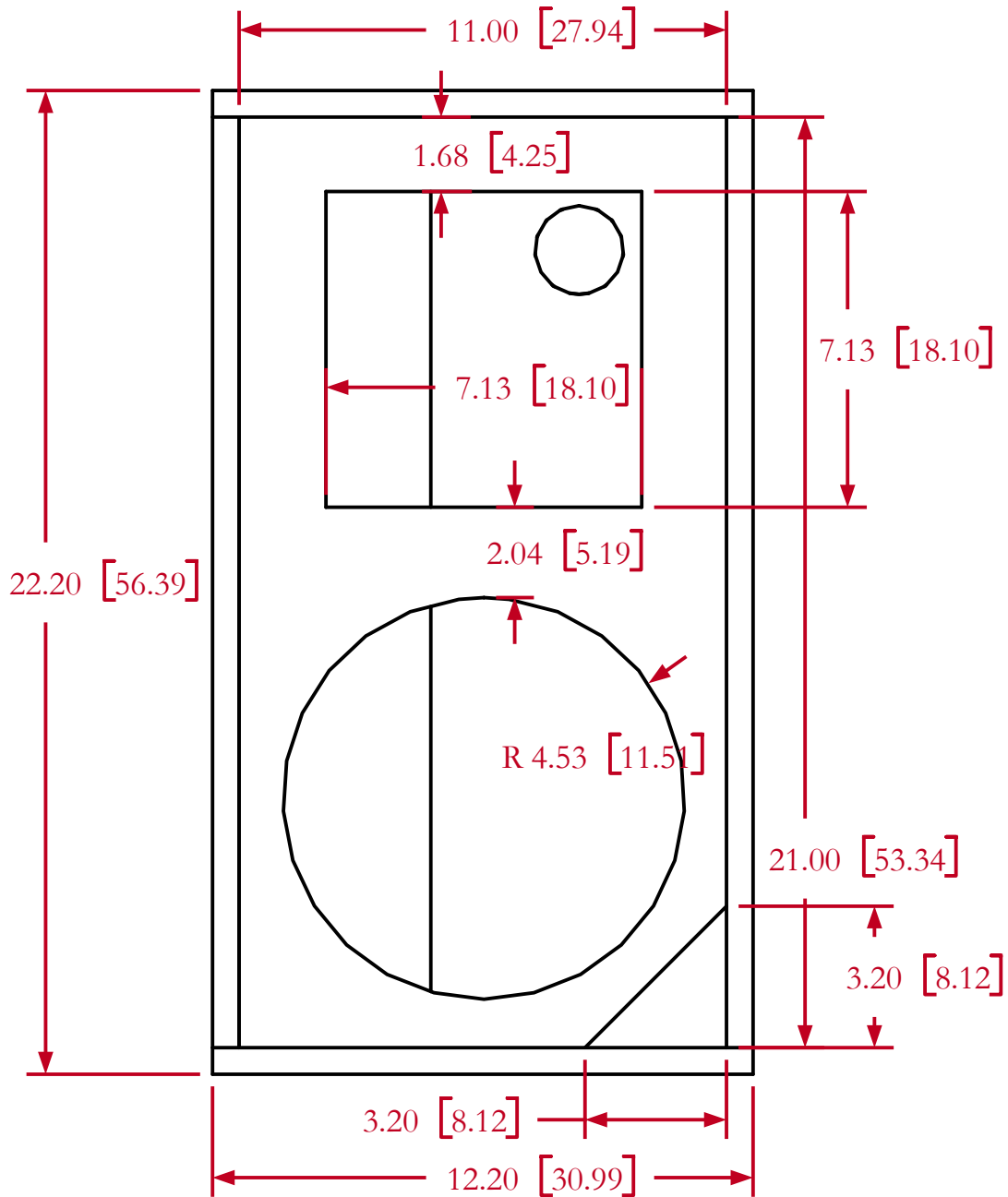
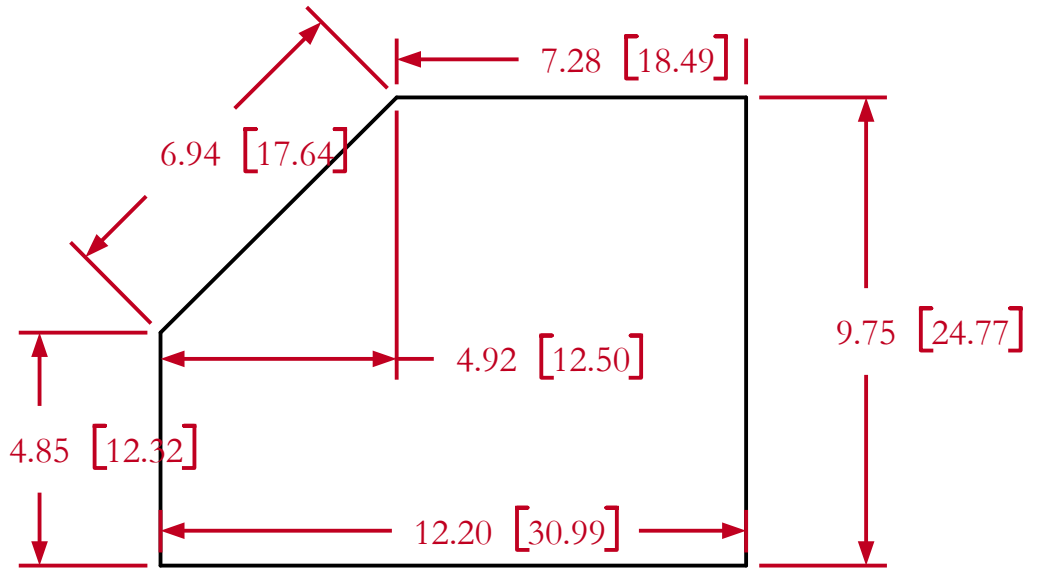


wire hole detail

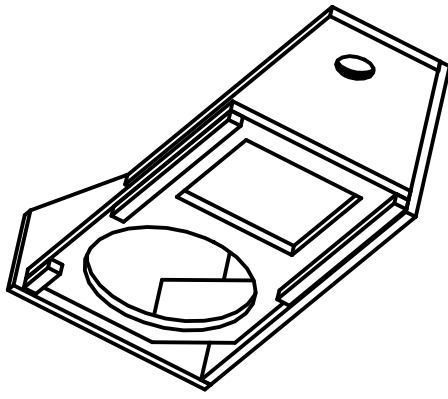
Club 10



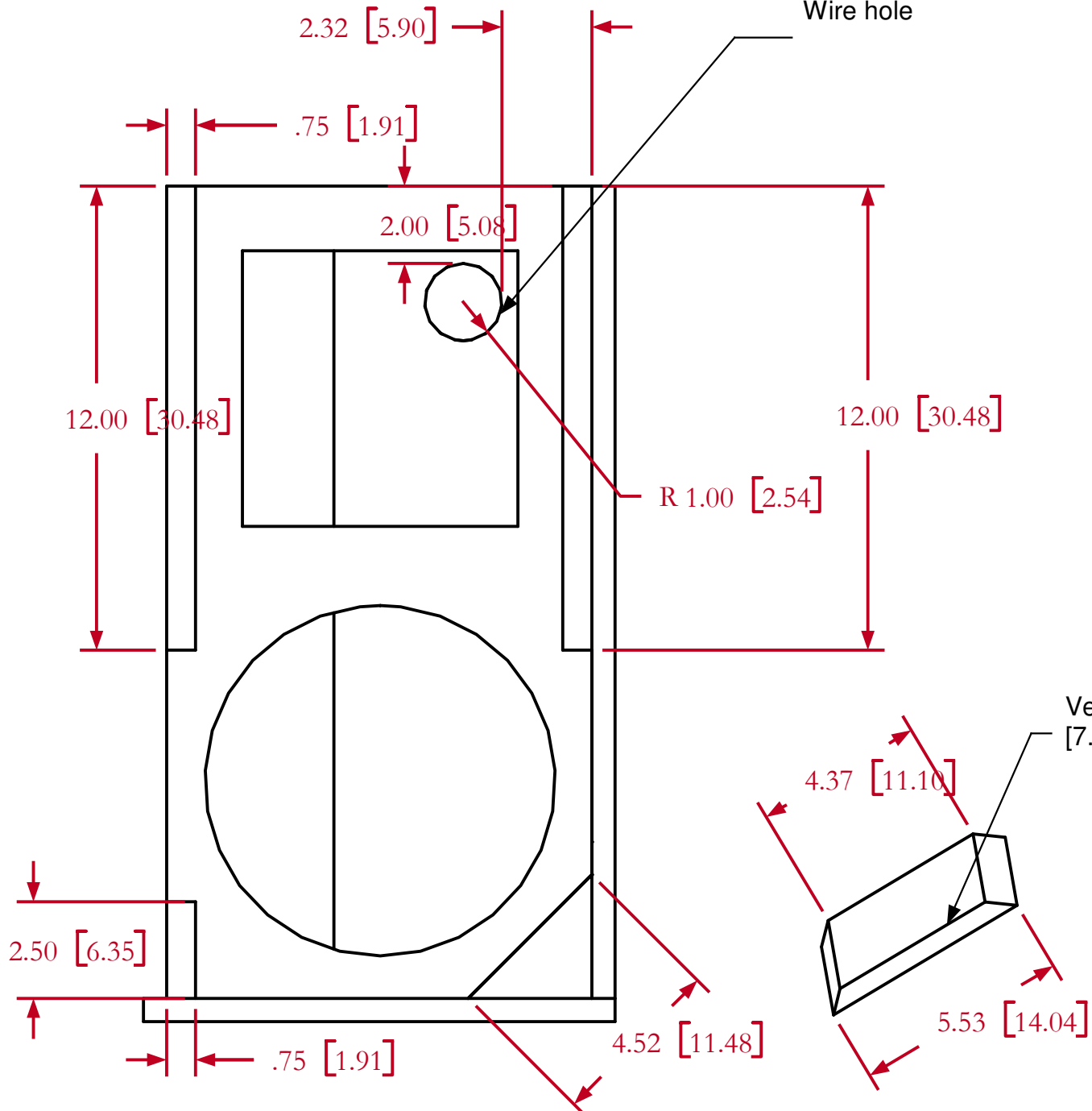
Baffle



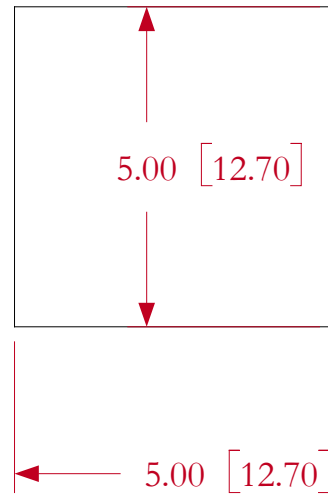
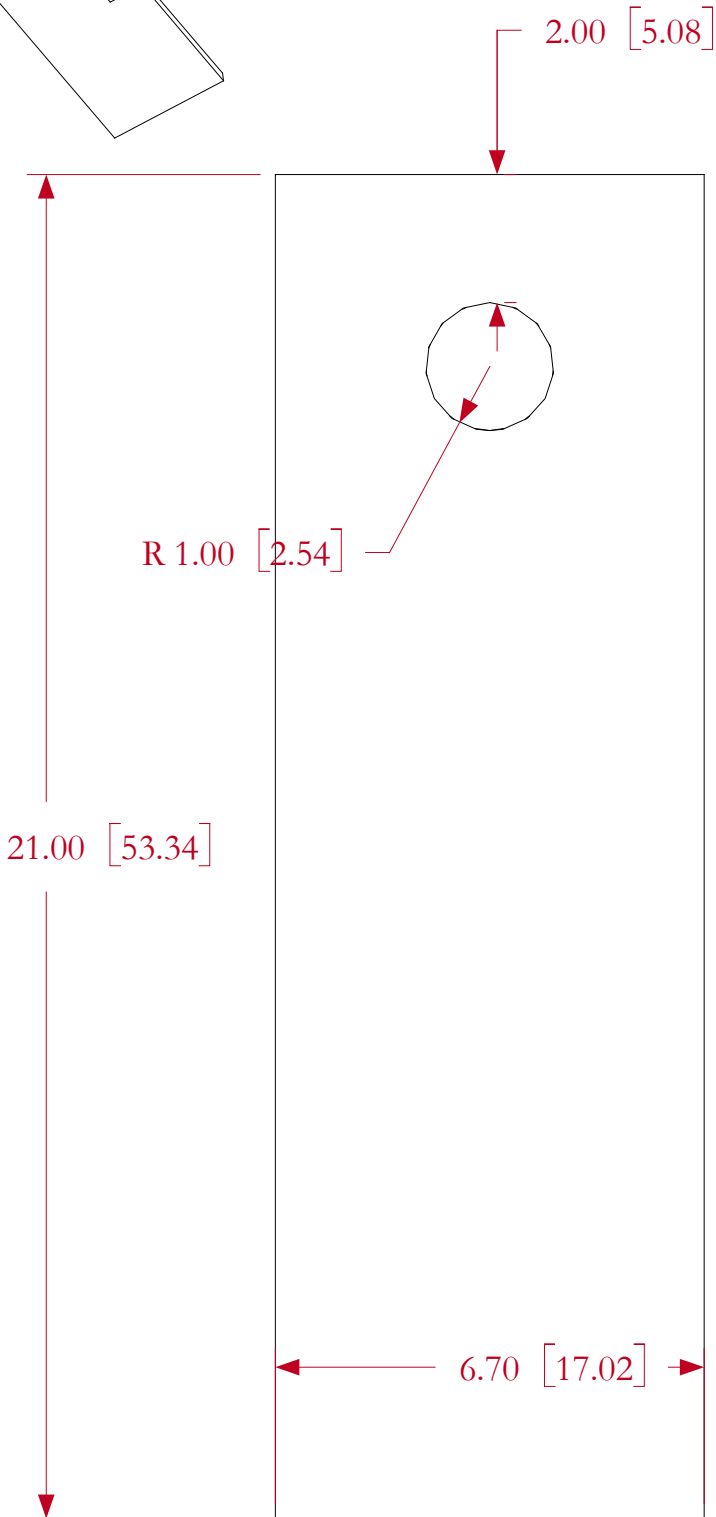
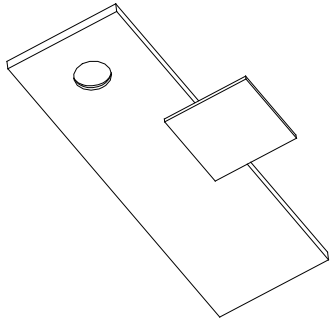
Grill strips, vent, and wire hole



Wire hole



Vent len  
[7.5cm]



Club 10 Top

