
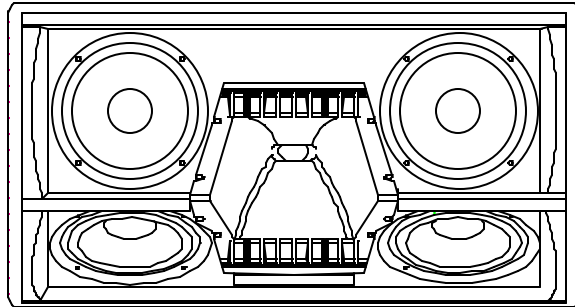


NOTES:

1. SYMBOL  INDICATES CENTER OF BALANCE.
2. WEIGHT APPROX. 58.0 lb [26.1 kg]
3. SHIPPING WEIGHT APPROX. 66.0 lb [29.7 kg]

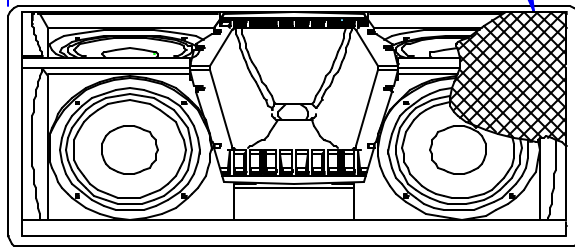
REV	DESCRIPTION	APVD/DATE
A	NEW ISSUE PER DSRWHT566Z DM 12/16/04.	RS 12/17/04



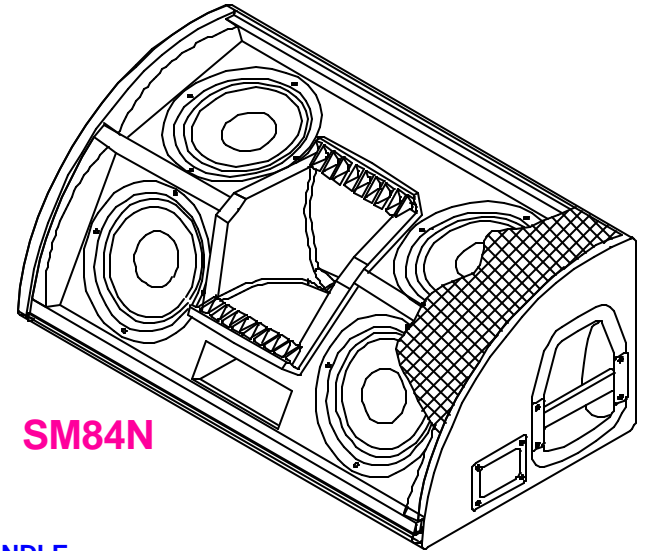
TOP

29.75
[755.6]

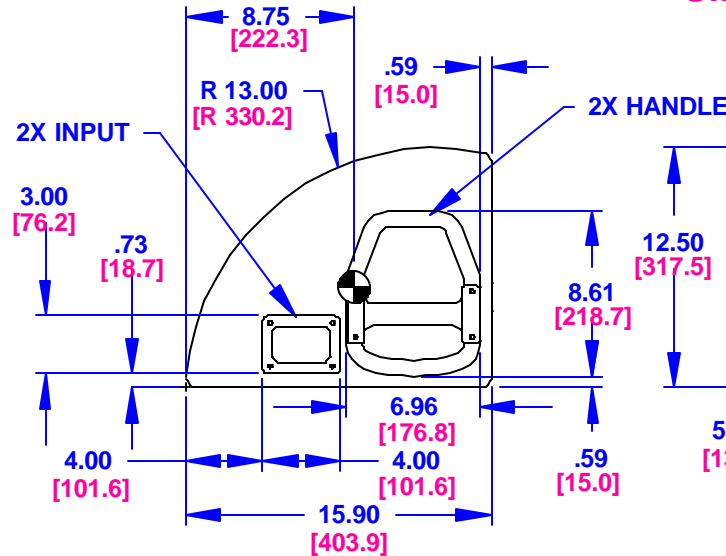
GRILLE PARTIALLY SHOWN



FRONT

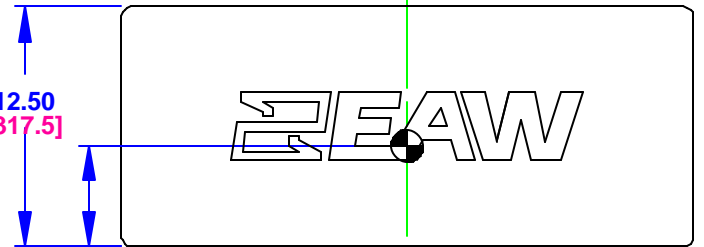


SM84N



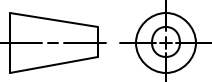
RIGHT SIDE

DIMENSIONS APPLY TO BOTH SIDES



BACK

DOCUMENT CONTROL PER SPECIFICATION 4.5.201

<p>THIRD ANGLE PROJECTION</p> 	<p>UNLESS OTHERWISE SPECIFIED ALL DIMENSIONS ARE: INCHES [MILLIMETERS]</p> <p>TOLERANCES LINEAR ± 0.13 In/± 3.3 mm ANGLES ±1°</p> <p>{X.XX} = REF DIMS NO TOLERANCE IMPLIED</p> <p>TSC-THEORETICAL SHARP CORNER DIMENSIONS ACROSS CENTERLINES TO BE SYMMETRICAL</p>	<p>STATUS: PRODUCTION</p>		<p>EAW EASTERN ACOUSTIC WORKS ONE MAIN STREET WHITINSVILLE, MA 01588 USA</p>
		<p>APPROVALS</p> <p>DRAWN: DM 12/16/04</p> <p>CHECKED: RS 12/17/04</p> <p>DES ENG: ZC 12/23/04</p> <p>MFG ENG: SM 12/17/04</p>	<p>DATE</p> <p>12/16/04</p> <p>12/17/04</p> <p>12/23/04</p> <p>12/17/04</p>	
<p>THIS DRAWING IS THE PROPERTY OF EAW AND SHALL NOT BE COPIED, REPRODUCED, OR USED AS THE BASIS FOR MANUFACTURE OR SALE OF APPARATUS WITHOUT WRITTEN AUTHORIZATION. DO NOT SCALE DRAWING.</p>			<p>A SHEET 1 OF 1</p>	<p>SCALE: 1 TO 10</p>
			<p>DRAWING NUMBER: 0011614</p>	<p>REVISION: A</p>