

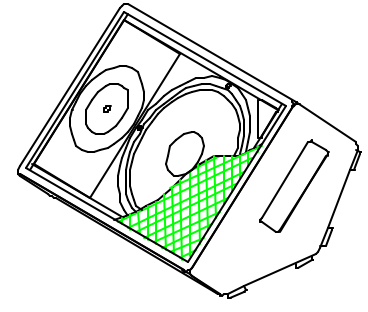


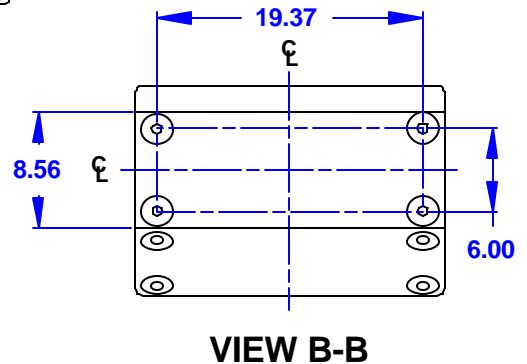
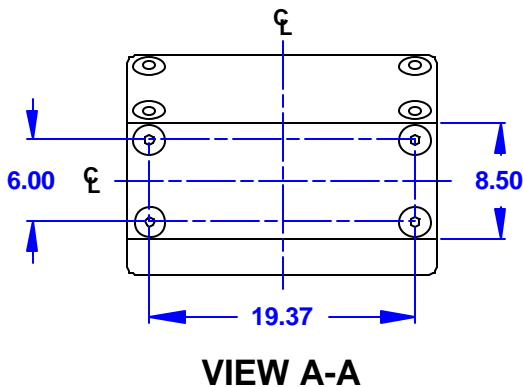
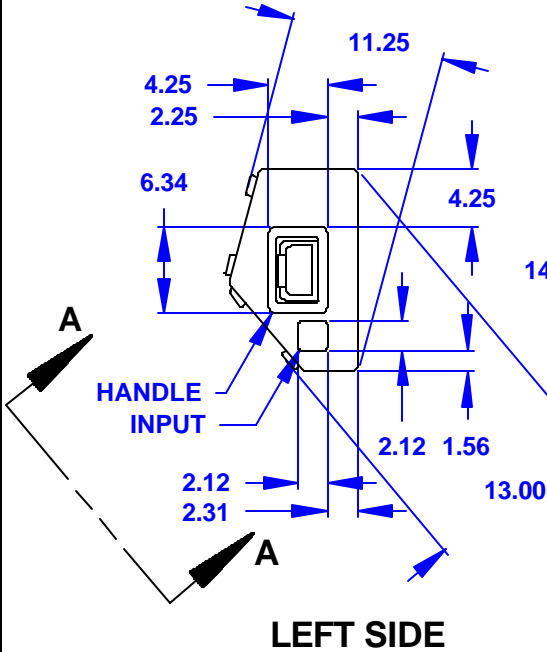
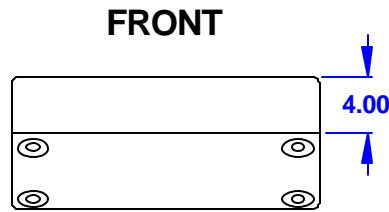
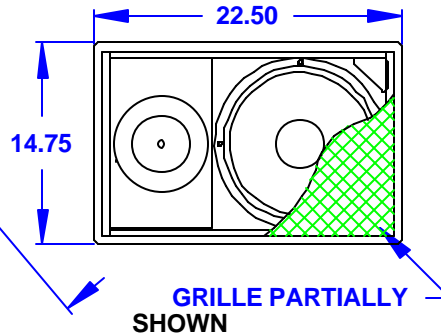
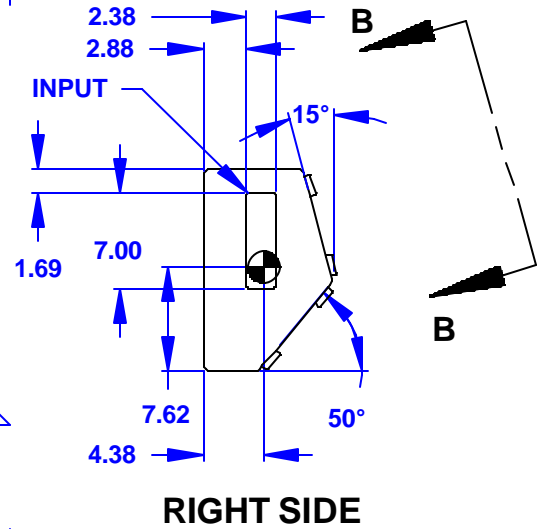
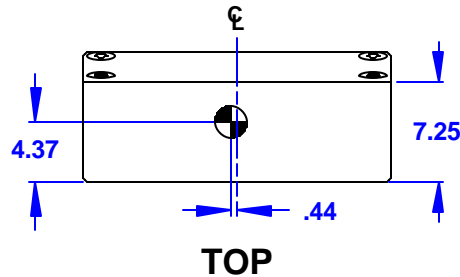
**NOTES:**

1. SYMBOL  INDICATES RUBBER FOOT.
2. SYMBOL  INDICATES CENTER OF BALANCE.
3. WEIGHT APPROX. 58 LBS.
4. SHIPPING WEIGHT APPROX. 61 LBS.

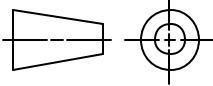
REV	DESCRIPTION	APVD/DATE
7	NEW ISSUE PER ECO 4054 MFL 8/25/99	PSN 10/28/99
H	ORACLE REVISION CONVERSION DRAWING WAS REV 7 PER ECO 5151 SS 6/11/01	ES 6/13/01



**SM200iH-LEFT**



DOCUMENT CONTROL PER SPECIFICATION 4.5.201

<p>THIRD ANGLE PROJECTION</p> 	<p>UNLESS OTHERWISE SPECIFIED: ALL DIMENSIONS ARE IN INCHES</p> <p>TOLERANCE IN INCHES .XX ± .13 ANGLES ±1°</p> <p>(X.XX) = REF DIMS NO TOLERANCE IMPLIED</p> <p>T.S.C.=THEORETICAL SHARP CORNER DIMENSIONS ACROSS CENTERLINES TO BE SYMMETRICAL</p>	STATUS: <b>PRODUCTION</b>		<p><b>EA</b> EASTERN ACOUSTIC WORKS ONE MAIN STREET WHITINSVILLE, MA 01588 USA</p> <p>TITLE: <b>CABINET/FINISHED/BLACK/ SM200iH-LEFT [MECHANICAL SPECIFICATION]</b></p>	
		APPROVALS	DATE		<p>SHEET 1 OF 1</p>
		DRAWN: NYSTEDT	1/10/96		
		CHECKED: N/A	N/A		<p>DRAWING NUMBER: 510173</p>
		DES ENG: MC	9/25/95		
MFG ENG: N/A	N/A				