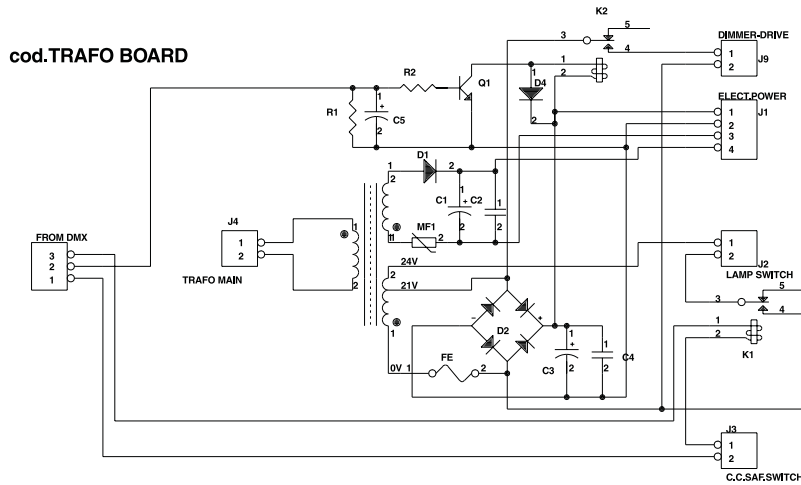


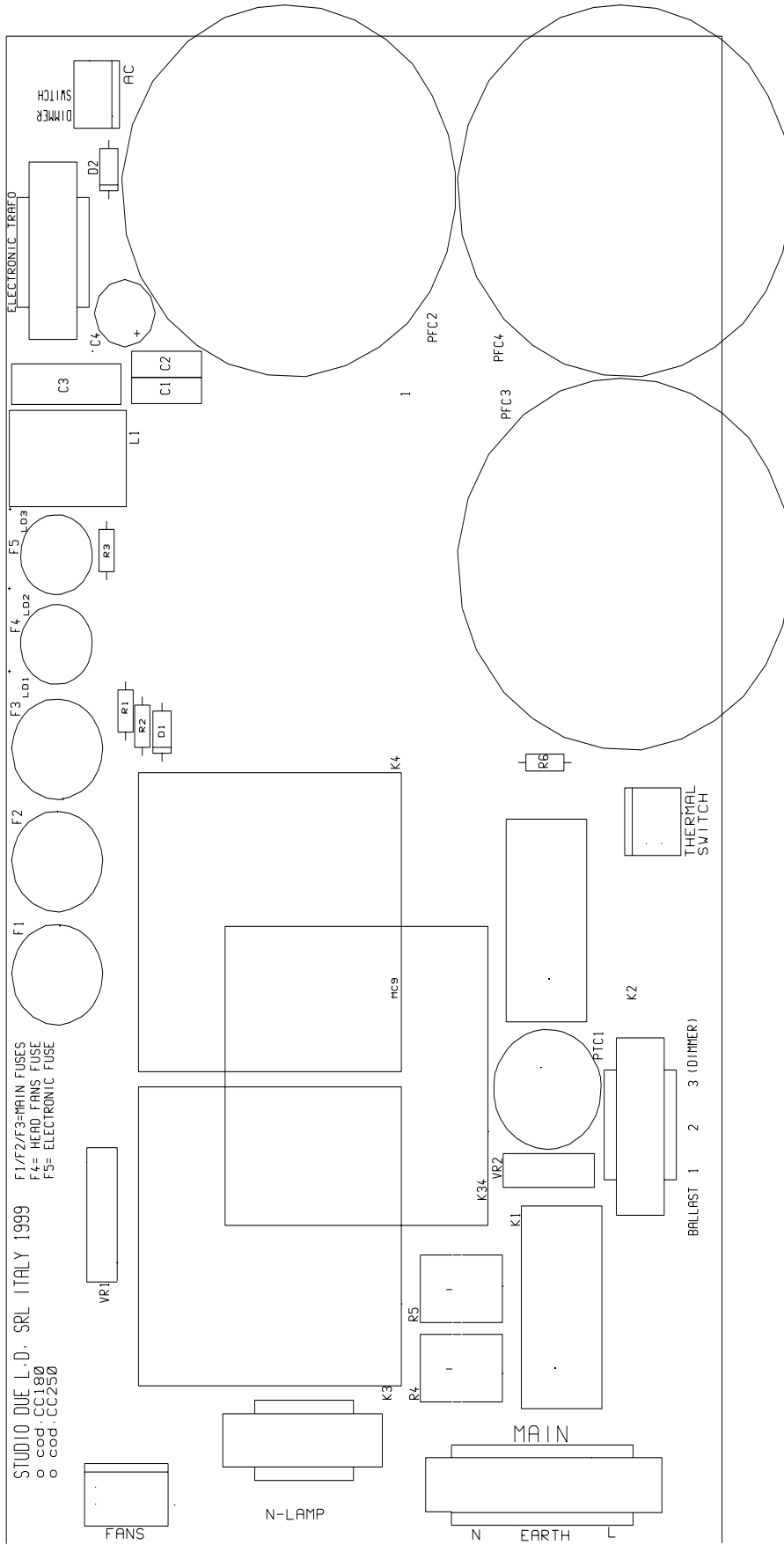
• TRAFOBCC (PC) •



cod. TRAFBO BOARD

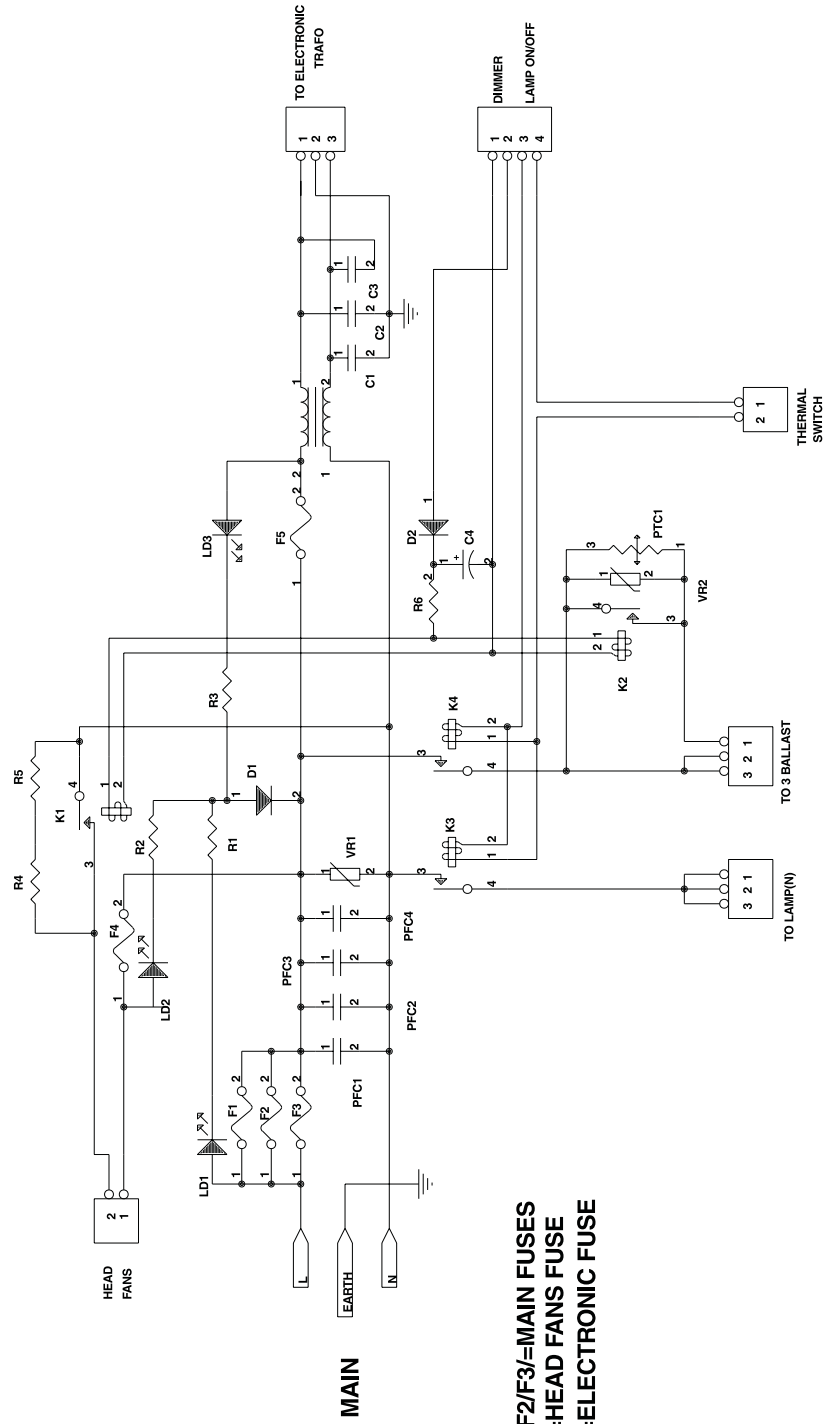
STUDIO DUE L.D. 1998		
Title TRAFBO BOARD		
Size A	Document Number	REV
Date: July 5, 2000	Sheet	of

• TRAFOBCC (DIAGRAM) •



•CC251 (PC)•

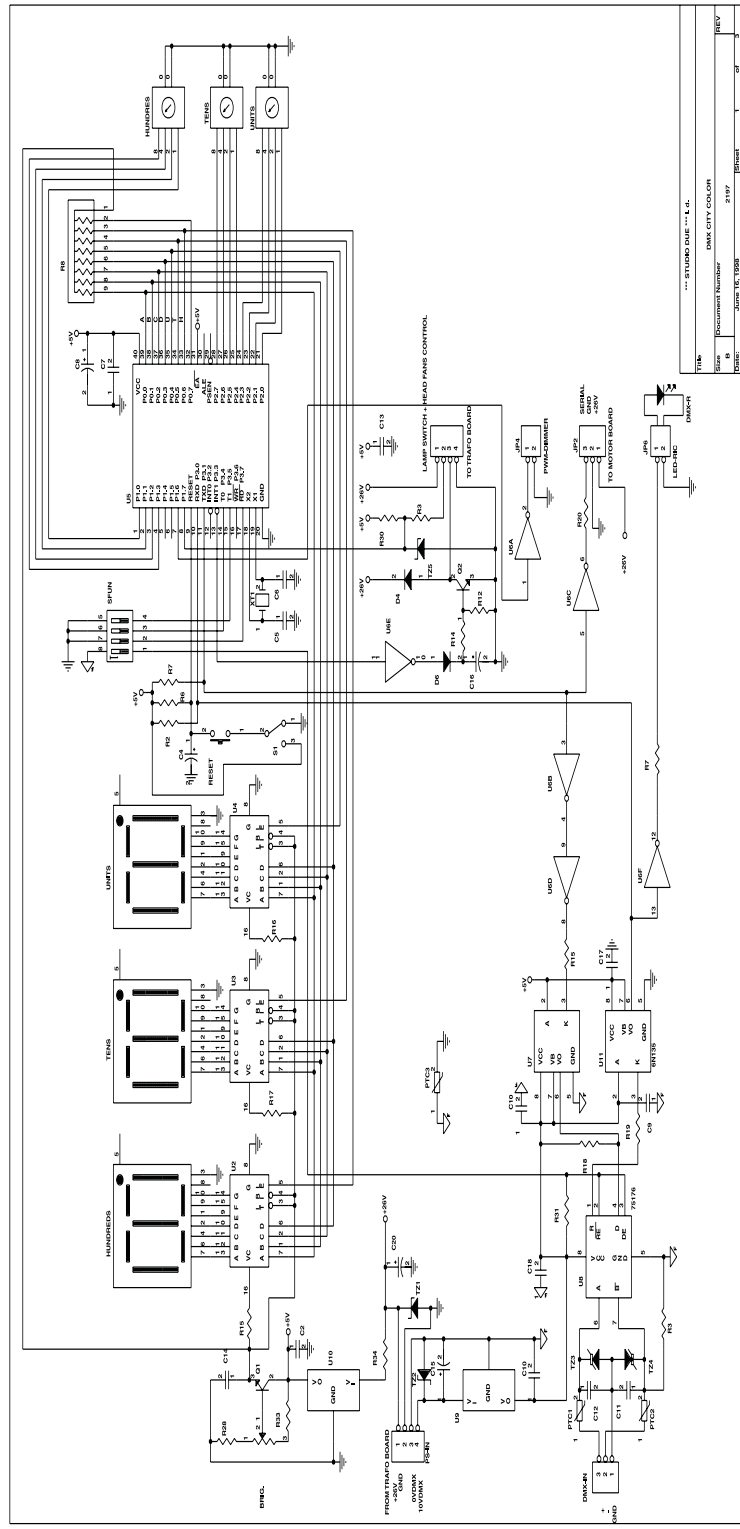
CC250 MAIN POWER DIAGRAM



F1/F2/F3=MAIN FUSES
 F4=HEAD FANS FUSE
 F5=ELECTRONIC FUSE

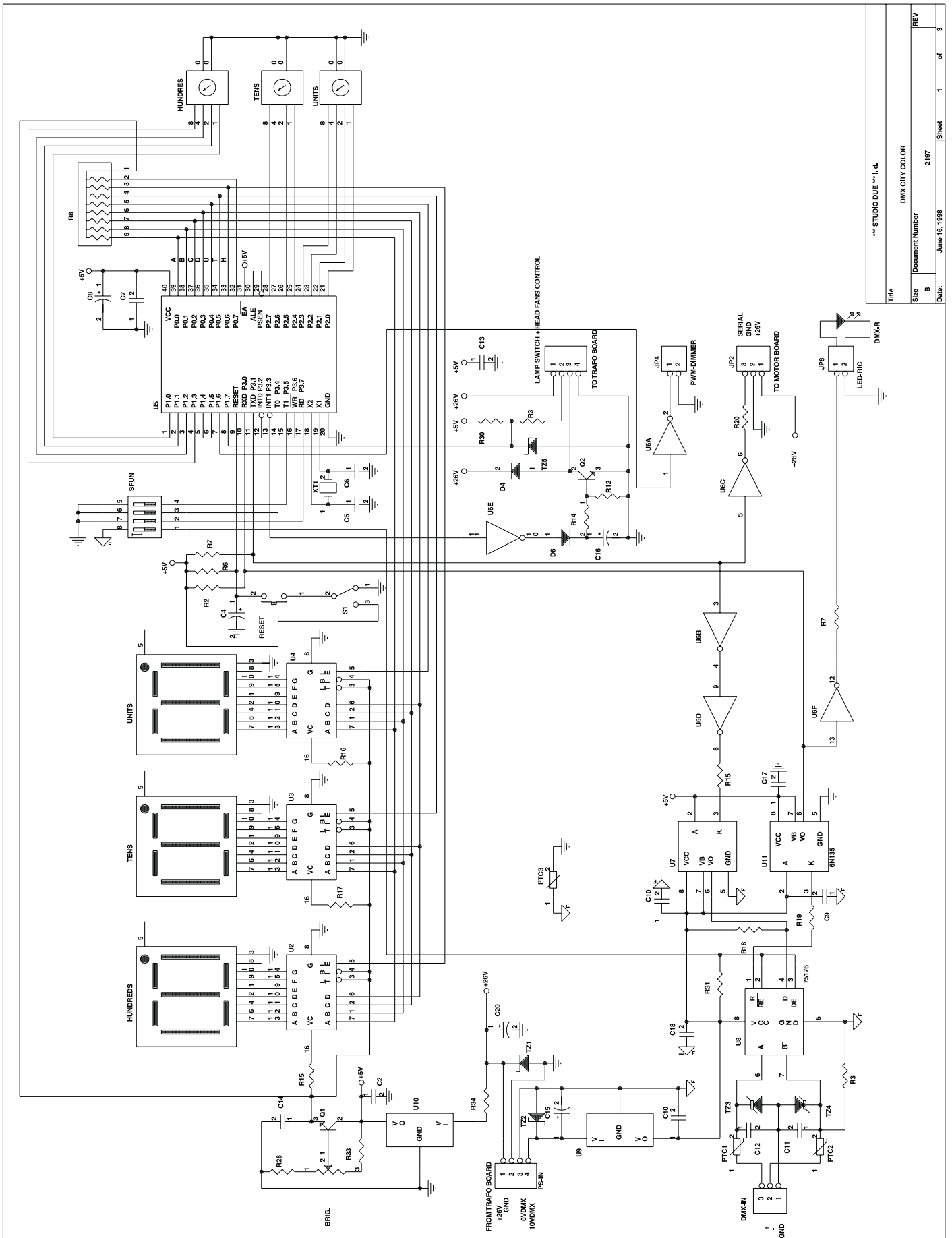
STUDIO DUE L.D.	
Title	CC250 CITY COLOR MAIN POWER DIAGRAM
Size	Document Number
A	REV
Date:	March 22, 1989
Sheet	of

• CC251 (DIAGRAM) •



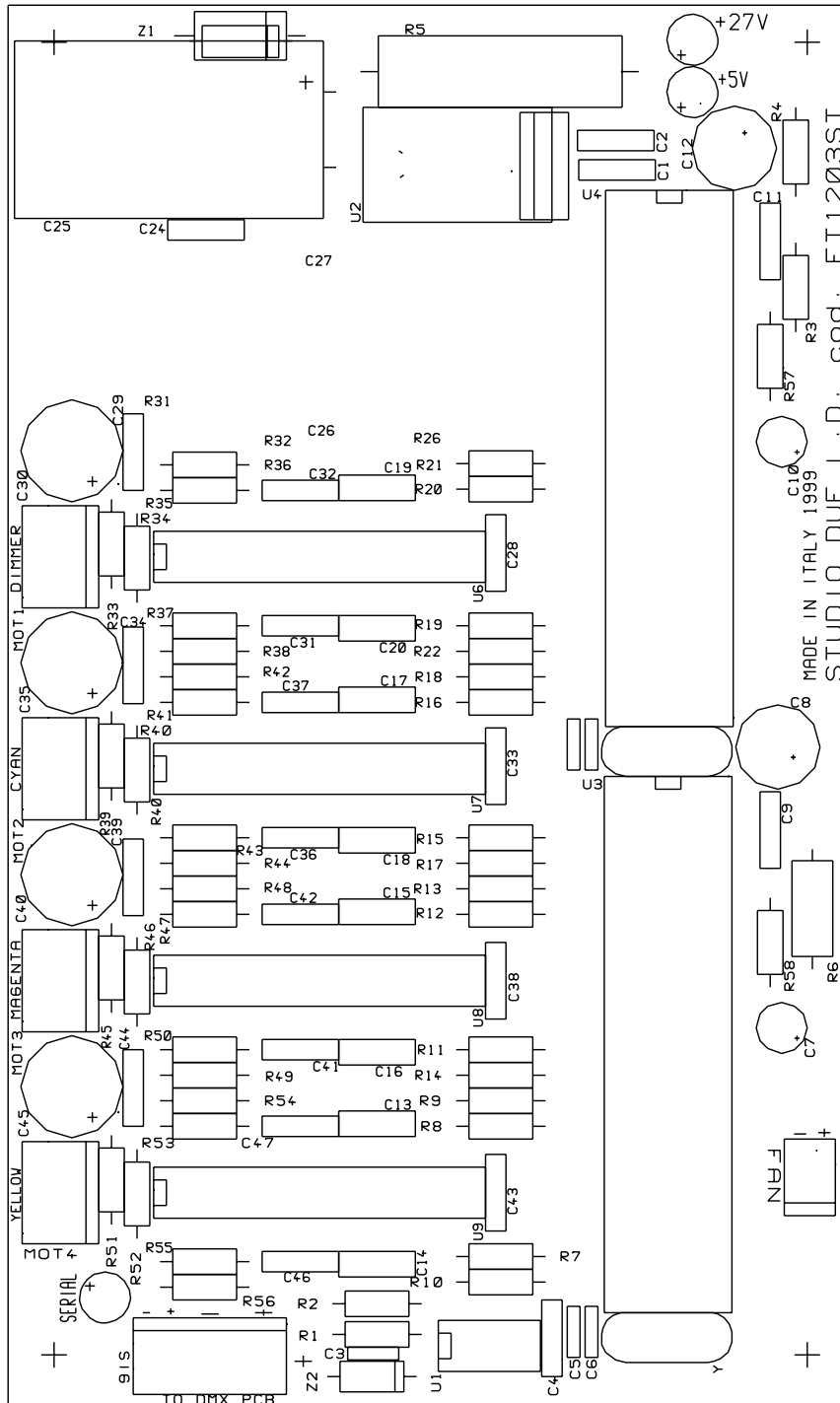
U1	74181	ALU
U2	7447	BCD-7 SEG
U3	7447	BCD-7 SEG
U4	7447	BCD-7 SEG
U5	7414	SCHMITT TRIG
U6	7400	NAND
U7	7401	NAND
U8	7805	REG
U9	7928	REG

• DMXCC (PC) •

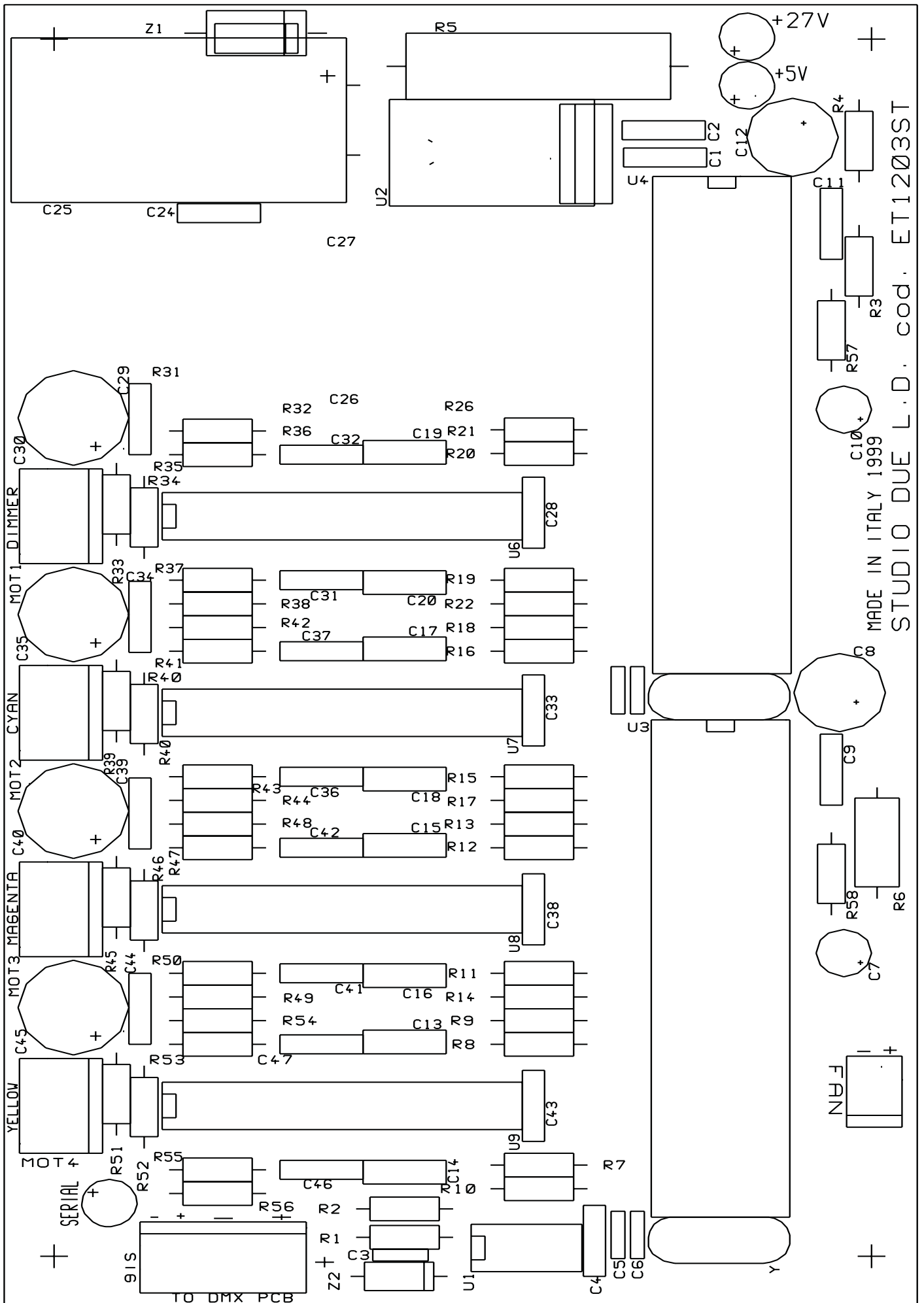


• DMXCC (DIAGRAM) •

Title	*** STUDIO DUE *** L.d.
Size	DMX CITY COLOR
Document Number	2197
Date:	June 16, 1998
Sheet	1 of 3



•ET1203CC (PC)•



•ET1203CC (DIAGRAM)•

STUDIO DUE L.D. cod. ET1203ST
MADE IN ITALY 1999