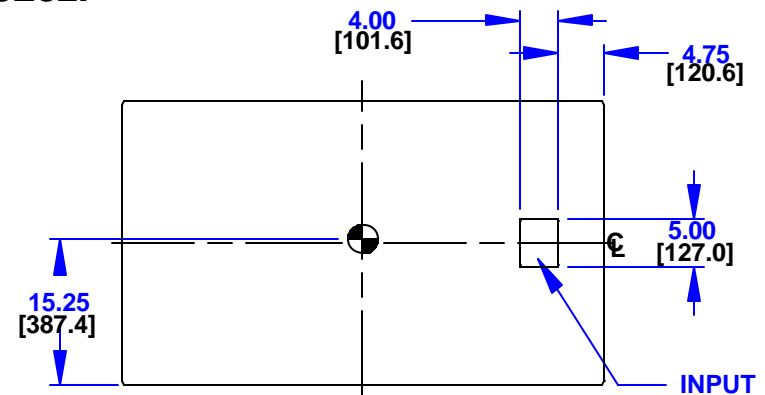
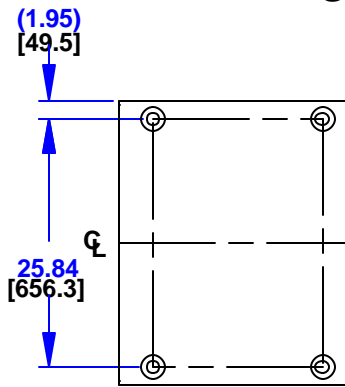
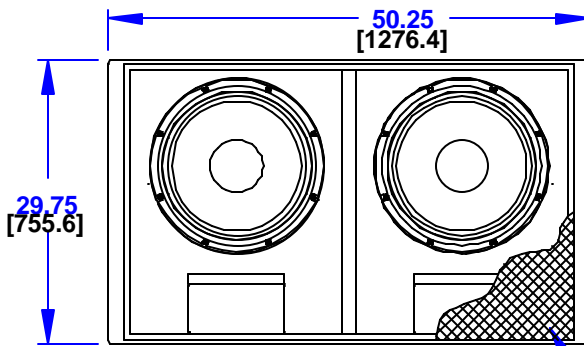
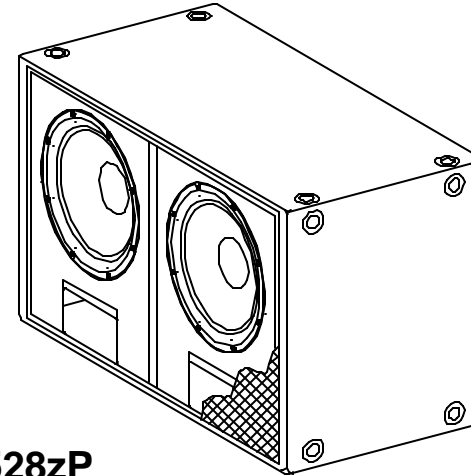
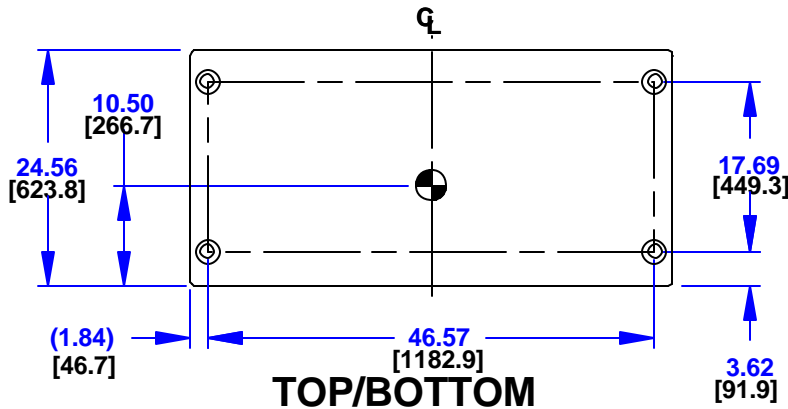


**NOTES:**

1. SYMBOL  $\odot$  INDICATES MOUNTING POINT, 3/8-16 THREADED HOLE (PI ANGLE).
2. SYMBOL  $\ominus$  INDICATES CENTER OF BALANCE.
3. WEIGHT APPROX. 220 lbs [99.8 kgs]
4. SHIPPING WEIGHT APPROX. 240 lbs [108.9 kgs]

REV	DESCRIPTION	APVD/DATE
B	REPLACED INPUT 490037ES WITH 490022ES. DIMS 4.00 WAS 6.00, 4.75 WAS 3.75, AND 5.00 WAS 3.50, SEE BACK VIEW PER ECOWHT3179 MELANIE 12/12/03	KFH 12/17/03
C	REVISED PER ECOWHT3743 JAB 2/22/05	R.S. 2/24/05



DOCUMENT CONTROL PER SPECIFICATION 4.5.201

<p>THIRD ANGLE PROJECTION</p>	<p>UNLESS OTHERWISE SPECIFIED ALL DIMENSIONS ARE: INCHES [MILLIMETERS]</p> <p>TOLERANCES</p> <p>LINEAR <math>\pm 0.13</math> in/<math>\pm 3.3</math> mm</p> <p>ANGLES <math>\pm 1^\circ</math></p> <p>[X.XX] = REF DIMS NO TOLERANCE IMPLIED</p> <p>T.S.C.=THEORETICAL SHARP CORNER</p> <p>DIMENSIONS ACROSS CENTERLINES TO BE SYMMETRICAL</p>	<p>STATUS: <b>PRODUCTION</b></p>		<p><b>EA</b> EASTERN ACOUSTIC WORKS ONE MAIN STREET WHITINSVILLE, MA 01588 USA</p>	
		<p>APPROVALS</p> <p>DRAWN: RAS</p> <p>CHECKED: KFH</p> <p>DES ENG: ZC</p> <p>MFG ENG: MD</p>	<p>DATE</p> <p>4/12/00</p> <p>2/12/01</p> <p>2/20/01</p> <p>2/22/01</p>		<p>TITLE: CABINET/FINISHED/BLACK/SB528zP [MECHANICAL SPECIFICATION]</p>
<p>THIS DRAWING IS THE PROPERTY OF EA AND SHALL NOT BE COPIED, REPRODUCED, OR USED AS THE BASIS FOR MANUFACTURE OR SALE OF APPARATUS WITHOUT WRITTEN AUTHORIZATION. DO NOT SCALE DRAWING.</p>	<p>A</p>	<p>SHEET 1 OF 1</p>	<p>SCALE: 1 TO 20</p>	<p>DRAWING NUMBER: 509039</p>	<p>REVISION: C</p>