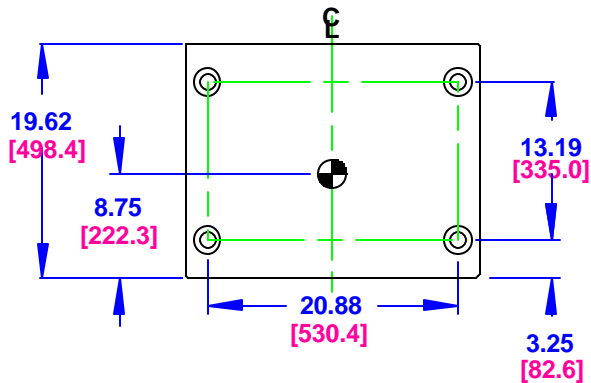


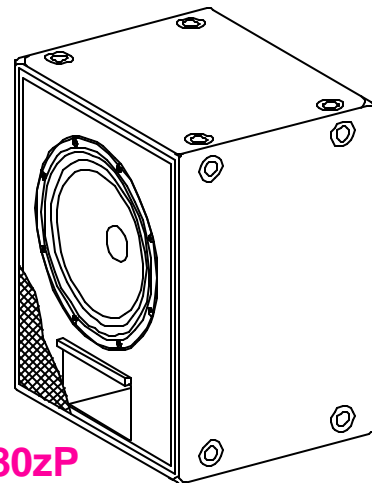
REV	DESCRIPTION	APVD/DATE
A	REVISED AND RELEASED TO PRODUCTION FROM PROTOTYPE REV 1 PER MCOWHT1474, DM 4/15/05	RS 4/21/05

NOTES:

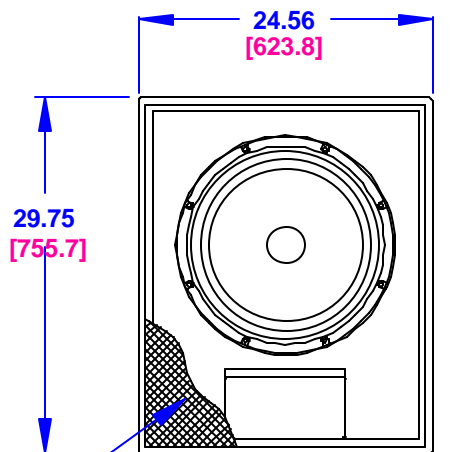
1. SYMBOL \odot INDICATES MOUNTING POINT, 3/8-16 THREADED HOLE (PI ANGLE).
2. SYMBOL \bullet INDICATES CENTER OF BALLANCE.
3. WEIGHT APPROX. 94.00 lb [42.6 kg]
4. SHIPPING WEIGHT APPROX. 105.00 lb [47.6 kg]



TOP/BOTTOM

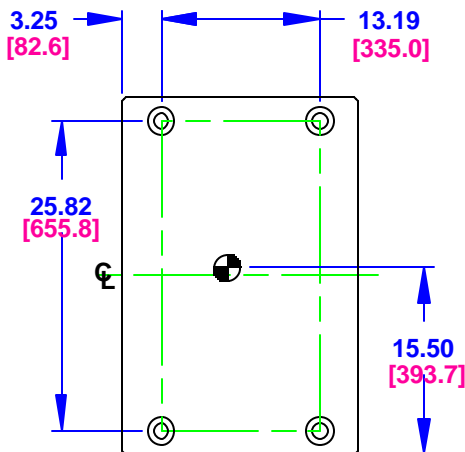


SB180zP

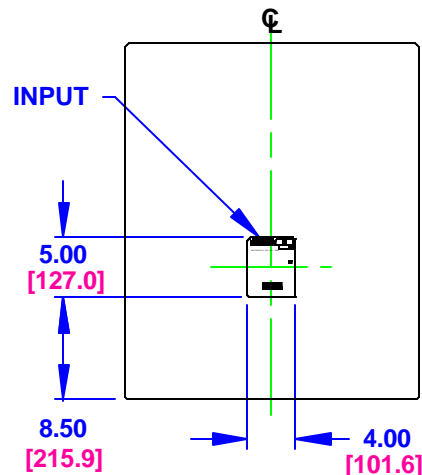


GRILLE PARTIALLY SHOWN

FRONT



RIGHT SIDE
DIMENSIONS APPLY TO BOTH SIDES



BACK

DOCUMENT CONTROL PER SPECIFICATION 4.5.201

<p>THIRD ANGLE PROJECTION</p>	<p>UNLESS OTHERWISE SPECIFIED: ALL DIMENSIONS ARE INCHES [MILLIMETERS]</p> <p>TOLERANCES LINEAR $\pm 0.13 \text{ in} / \pm 3.3 \text{ mm}$ ANGLES $\pm 1^\circ$</p> <p>(X.XX) = REF DIMS NO TOLERANCE IMPLIED</p> <p>TSC=THEORETICAL SHARP CORNER DIMENSIONS ACROSS CENTERLINES TO BE SYMMETRICAL</p>	<p>STATUS: PRODUCTION</p>		<p>EA EASTERN ACOUSTIC WORKS ONE MAIN STREET WHITINSVILLE, MA 01588 USA</p>	
		<p>APPROVALS</p> <p>DRAWN: JRM</p> <p>CHECKED: RAS</p> <p>DES ENG: BP</p> <p>MFG ENG: SM</p>	<p>DATE</p> <p>2/22/05</p> <p>4/25/05</p> <p>4/26/05</p> <p>4/26/05</p>		<p>TITLE: CABINET/FINISHED/BLACK/SB180zP [MECHANICAL SPECIFICATION]</p>
<p>THIS DRAWING IS THE PROPERTY OF EA AND SHALL NOT BE COPIED, REPRODUCED, OR USED AS THE BASIS FOR MANUFACTURE OR SALE OF APPARATUS WITHOUT WRITTEN AUTHORIZATION. DO NOT SCALE DRAWING.</p>			<p>A</p>	<p>SHEET 1 OF 1</p>	<p>SCALE: 1 TO 16</p>
<p>DRAWING NUMBER: 0008954</p>				<p>REVISION: A</p>	