

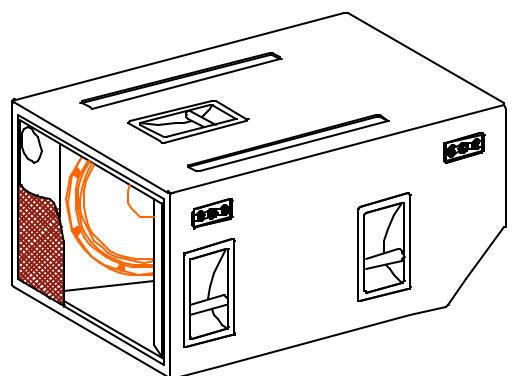


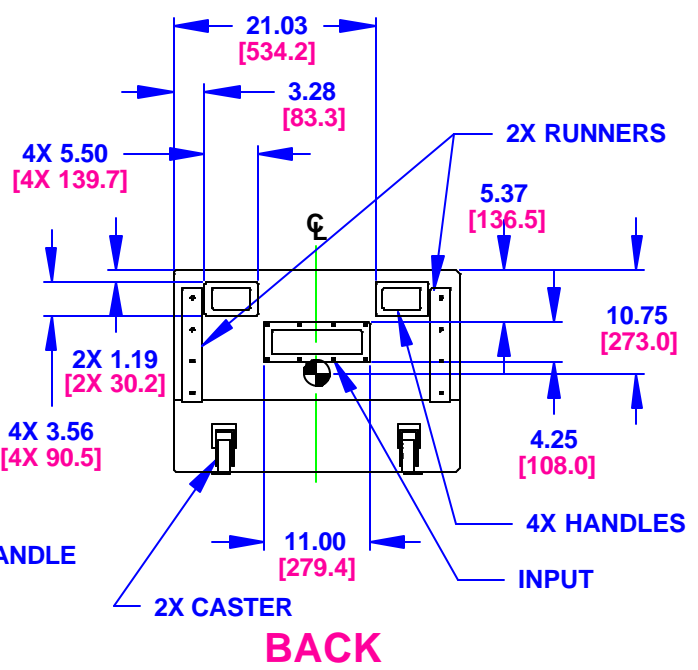
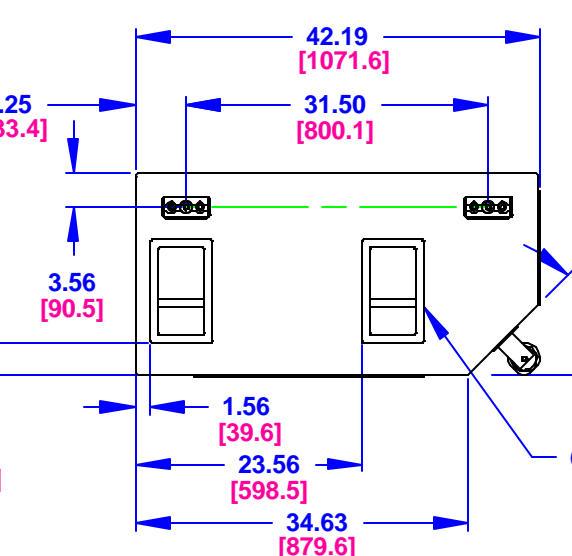
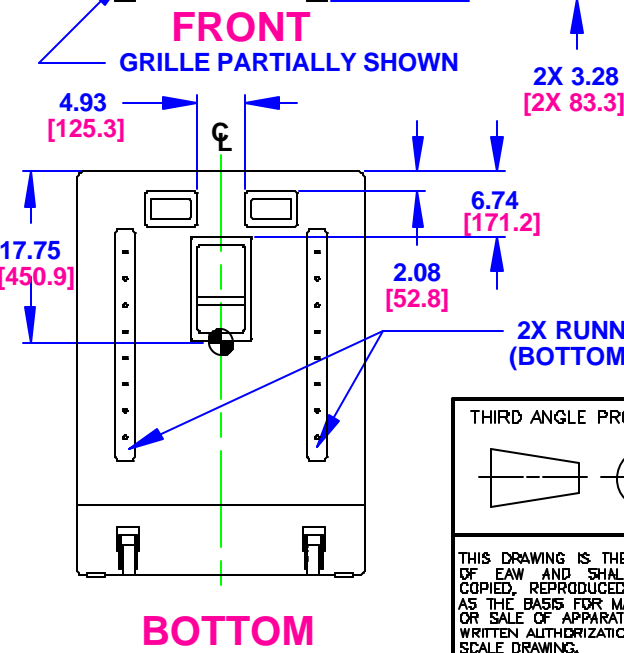
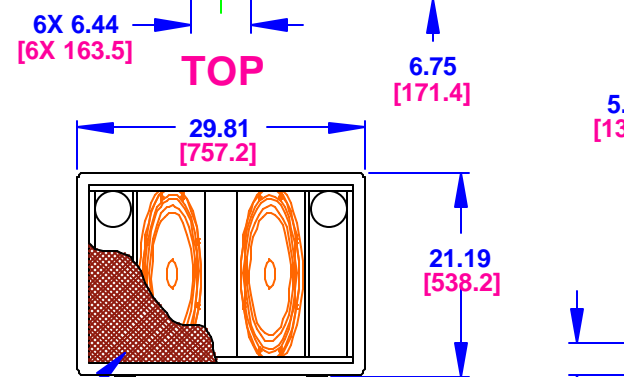
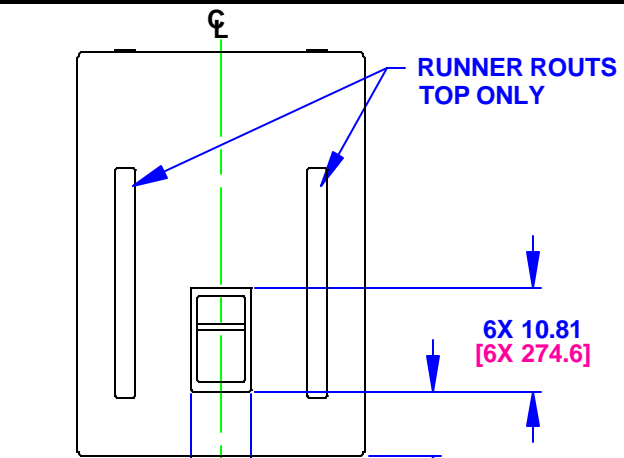
REV	DESCRIPTION	APVD/DATE
B	REVISED PER ECOWHT3608 DM 11/4/04	JB 12/2/04
C	CORRECTED DIMENSION "[1071.6]", SEE RIGHT SIDE PER ECOWHT4355 SED 8/28/06	KFH 8/29/06

NOTES:

1. SYMBOL  INDICATES 3.00 [76.2] X 1.35 [34.3] FLYTRACK.
2. SYMBOL  INDICATES CENTER OF BALANCE.
3. WEIGHT APPROX. 162 lb [73.5 kg]
4. SHIPPING WEIGHT APPROX. 189 lb [85.7kg].

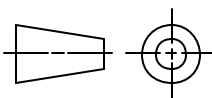


SB1000zR



DOCUMENT CONTROL PER SPECIFICATION 4.5.201

THIRD ANGLE PROJECTION



THIS DRAWING IS THE PROPERTY OF EAW AND SHALL NOT BE COPIED, REPRODUCED, OR USED AS THE BASIS FOR MANUFACTURE OR SALE OF APPARATUS WITHOUT WRITTEN AUTHORIZATION. DO NOT SCALE DRAWING.

UNLESS OTHERWISE SPECIFIED ALL DIMENSIONS ARE: INCHES [MILLIMETERS]

TOLERANCES
 LINEAR ± 0.13 in/± 3.3 mm
 ANGLES ± 1°

(X.XX) = REF DIMS
 NO TOLERANCE IMPLIED

TSC=THEORETICAL SHARP CORNER
 DIMENSIONS ACROSS CENTERLINES TO BE SYMMETRICAL

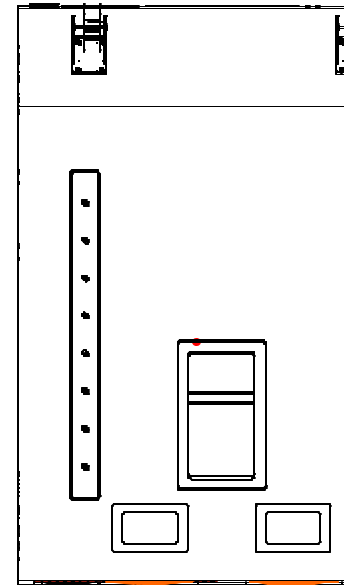
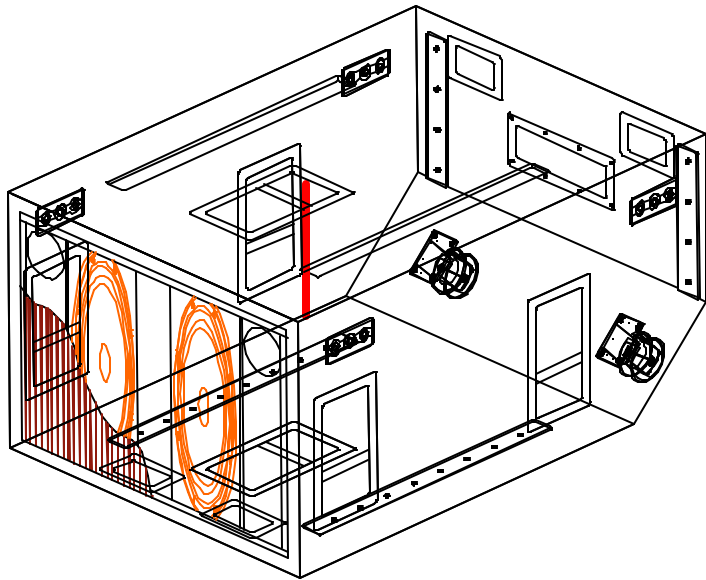
STATUS: PRODUCTION	
APPROVALS	DATE
DRAWN: DM	3/12/04
CHECKED: JRM	3/17/04
DES ENG: ZC	3/17/04
MFG ENG: DBD	3/17/04

EAW EASTERN ACOUSTIC WORKS
 ONE MAIN STREET
 WHITINSVILLE, MA 01566 USA

TITLE: CABINET/FINISHED/BLACK/SB1000zR [MECHANICAL SPECIFICATION]



A SHEET 1 OF 1 SCALE: 1 TO 20

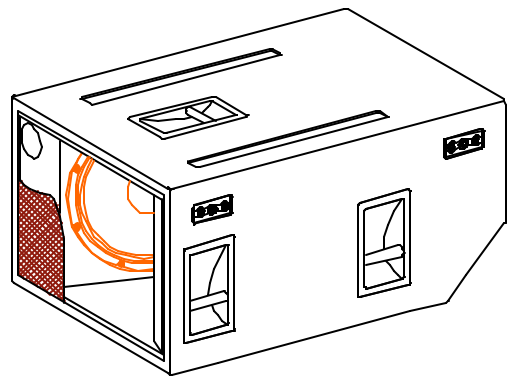
DRAWING NUMBER: 509025 REVISION: C



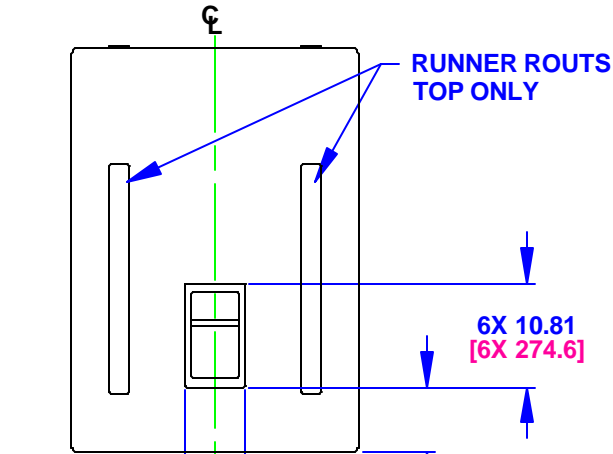
REV	DESCRIPTION	APVD/DATE
B	REVISED PER ECOWHT3608 DM 11/4/04	JB 12/2/04
C	CORRECTED DIMENSION "[1071.6]", SEE RIGHT SIDE PER ECOWHT4355 SED 8/28/06	KFH 8/29/06

NOTES:

1. SYMBOL  INDICATES 3.00 [76.2] X 1.35 [34.3] FLYTRACK.
2. SYMBOL  INDICATES CENTER OF BALANCE.
3. WEIGHT APPROX. 162 lb [73.5 kg]
4. SHIPPING WEIGHT APPROX. 189 lb [85.7kg].



SB1000zR

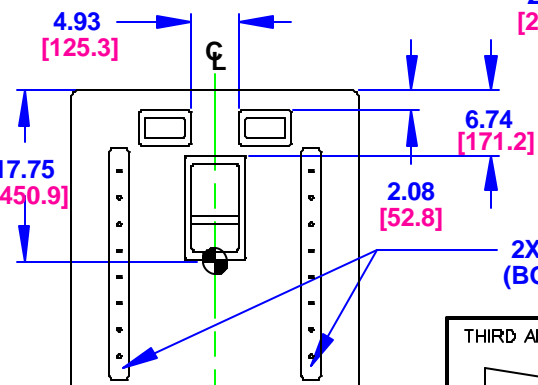


TOP

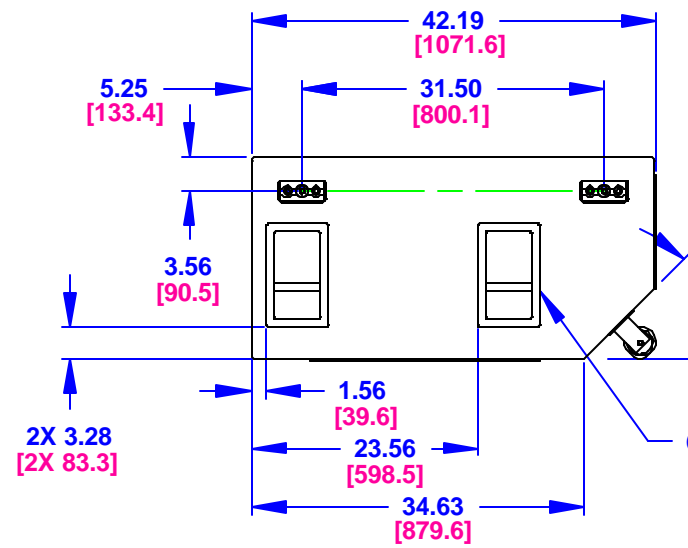


FRONT

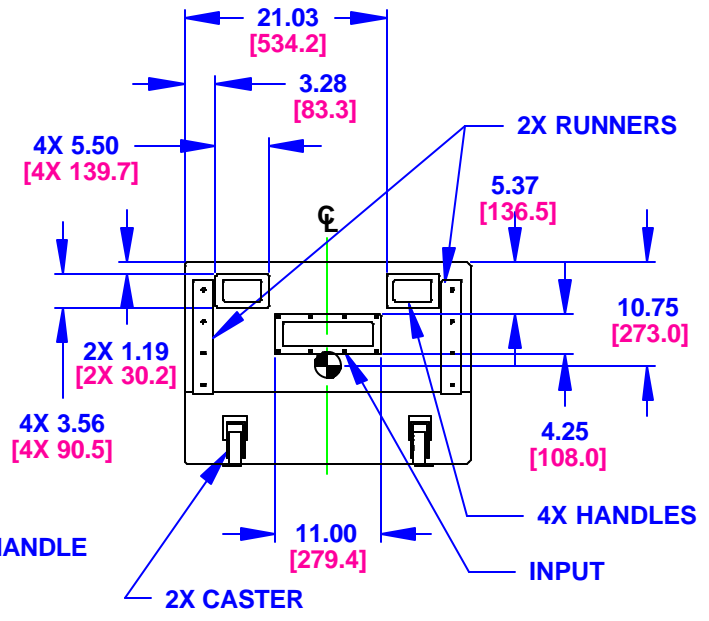
GRILLE PARTIALLY SHOWN



BOTTOM

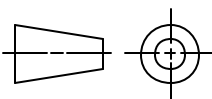


RIGHT SIDE
DIMENSIONS APPLY TO BOTH SIDES



BACK

THIRD ANGLE PROJECTION



THIS DRAWING IS THE PROPERTY OF EAW AND SHALL NOT BE COPIED, REPRODUCED, OR USED AS THE BASIS FOR MANUFACTURE OR SALE OF APPARATUS WITHOUT WRITTEN AUTHORIZATION. DO NOT SCALE DRAWING.

UNLESS OTHERWISE SPECIFIED ALL DIMENSIONS ARE: INCHES [MILLIMETERS]

TOLERANCES
 LINEAR ± 0.13 in/± 3.3 mm
 ANGLES ± 1°

(X.XX) = REF DIMS
 NO TOLERANCE IMPLIED

TSC=THEORETICAL SHARP CORNER
 DIMENSIONS ACROSS CENTERLINES TO BE SYMMETRICAL

STATUS: PRODUCTION	
APPROVALS	DATE
DRAWN: DM	3/12/04
CHECKED: JRM	3/17/04
DES ENG: ZC	3/17/04
MFG ENG: DBD	3/17/04

EAW EASTERN ACOUSTIC WORKS
 ONE MAIN STREET
 WHITINSVILLE, MA 01566 USA

TITLE: CABINET/FINISHED/BLACK/SB1000zR [MECHANICAL SPECIFICATION]

A SHEET 1 OF 1 SCALE: 1 TO 20

DRAWING NUMBER: 509025 REVISION: C

DOCUMENT CONTROL PER SPECIFICATION 4.5.201

