

DESCRIPTION

PL 60FD is a flush-mounting loudspeaker for false-ceilings (or wall panels) having a 6" dual-cone woofer and a fire dome. This loudspeaker has inside a transformer that allows the connection to a 100 V constant voltage line; a low impedance input (8 Ohm) is available as well. When connected to a 100 V line, its power can be selected among the values 6-3-1.5 W through a rotary switch (thanks to internal transformer taps). Installation is easy and quick, thanks to a special four-hook fixing system that avoids the need of additional attachment elements.

INSTALLATION NOTES

Once removed the frontal grille the speaker can be simply and quickly installed into a hole in the ceiling cavity, secured by 4 lead-screw rotating clamps. The electrical connections are clearly labelled and made through screw terminals. A cable-holder bracket is foreseen for keeping the incoming and out coming wires well fixed in front of the terminals. The power can be easily selected by using the commutator present on the steel-dome; the knob is accessible using fingers.

Before the installation, verify that behind the false-ceiling there is enough room for loudspeakers: with respect to the loudspeaker front flange surface plane, an empty space at least 150 mm depth is required.

The PL60FD is intended for indoor installations only.

ACCESSORIES (included)

- Fire Dome
- Connection Terminal
- Steel Grill

MAIN FEATURES

- 6" Dual-Cone wide-band speaker
- 6 / 12 Watt (RMS/Music Power)
- 150 Hz ÷ 15 kHz
- 102 dB (6W/1 m) max. SPL
- Steel Fire dome
- Incl. 100V transformer multitap
- Power rotary switch
- Direct connection to Low-Z speaker lines
- Ceramic terminal blocks
- Internal thermal fuse
- Easy to install
- Simple power settings

MAIN APPLICATIONS

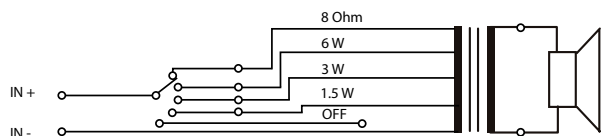
- High intelligibility Speech and Background music
- Schools
- Shopping malls
- Hospital
- Museums
- Hotels
- Office building

CEILING SPEAKER



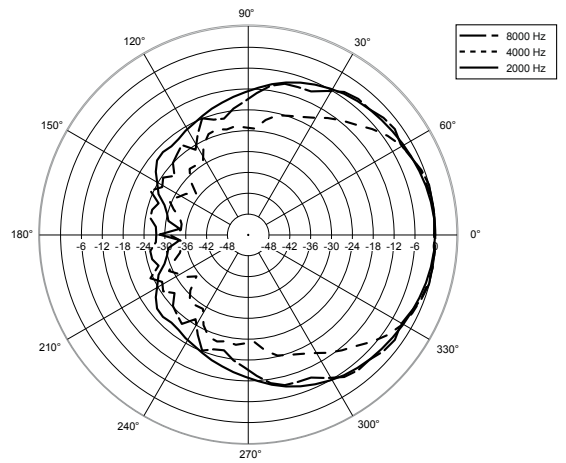
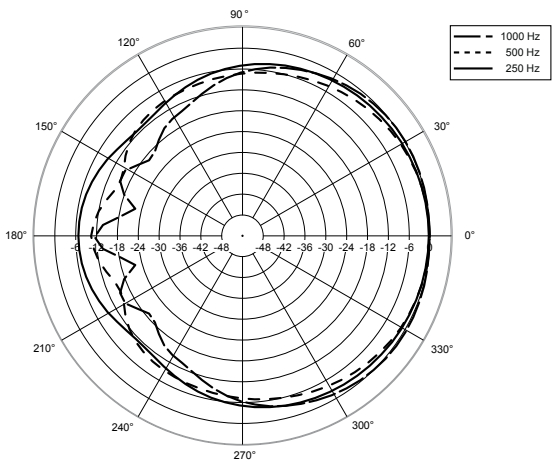
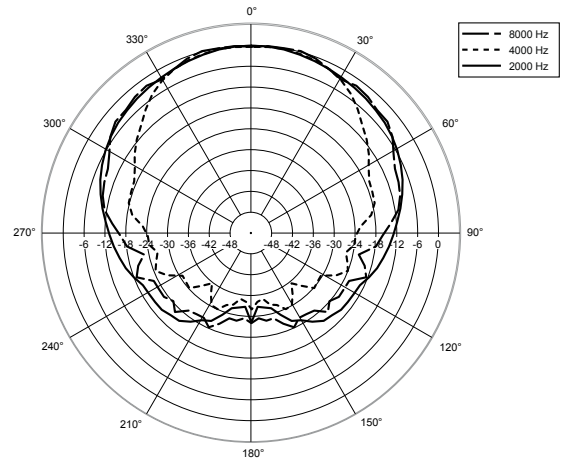
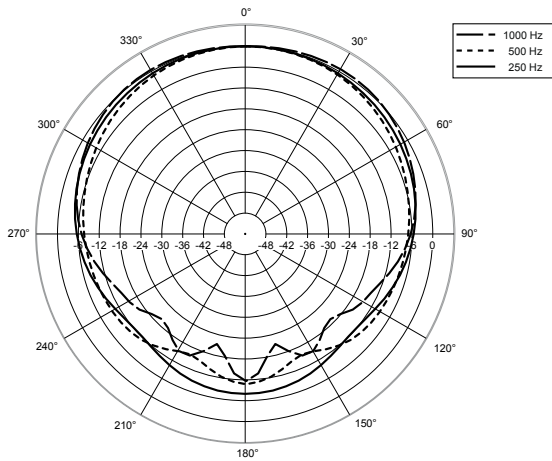
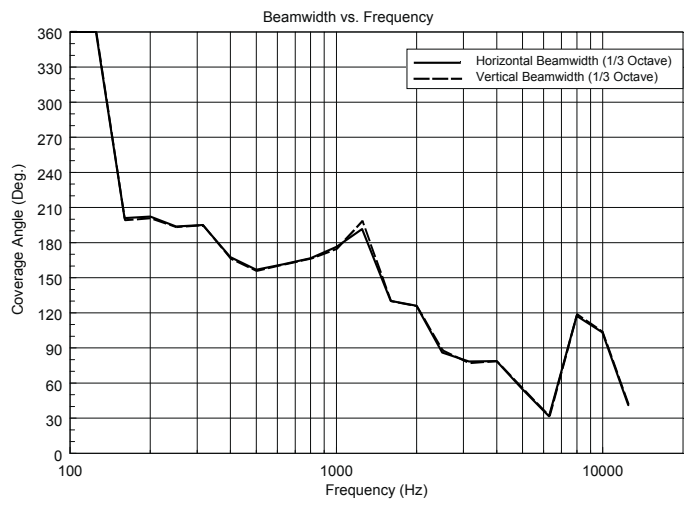
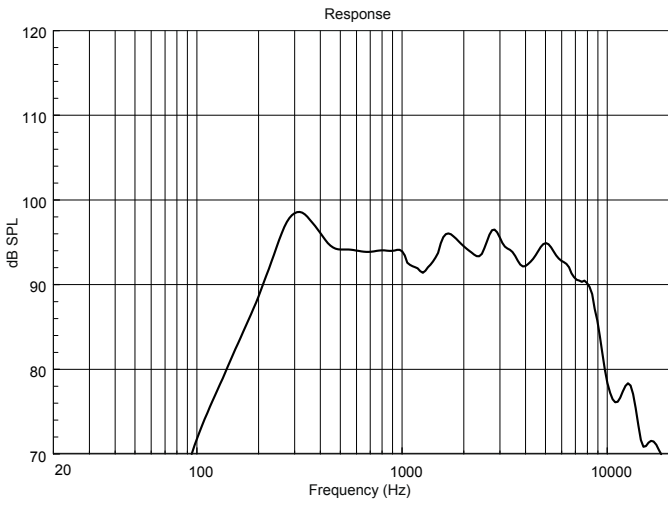
CERTIFICATIONS AND APPROVALS

- CE comply with European Community Directive 73/23/EEC and 93/768/EEC
- Environmental protection IP 40 homologation
- Self-Extinguishing plastic according to UL 94V0
- Speaker data according to IEC 268-5
- Safety according to IEC EN 60065:2002

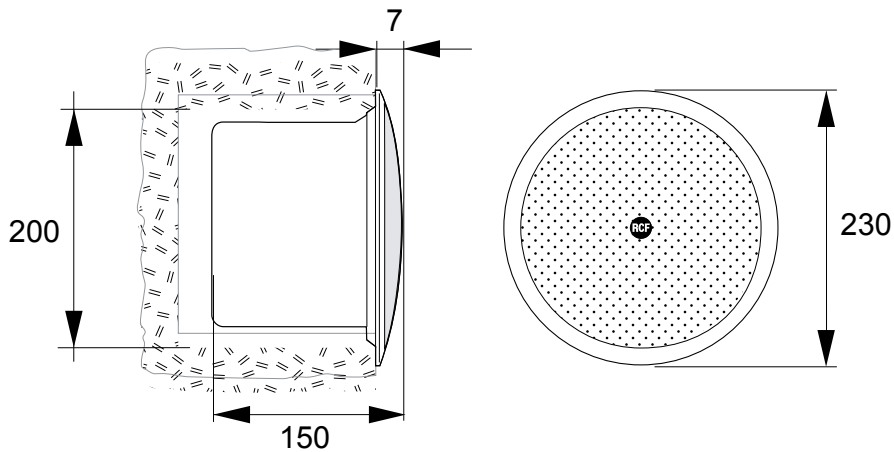


SPECIFICATIONS

Loudspeaker	6" Dual-cone widerange transducer
Power (on 8 Ohm load)	6 / 12 W (RMS / Music power)
Power	6 W - 3 W - 1,5 W (100V)
Sensivity	94 dB (1 W / 1 m)
Mx. SPL (6 W / 1 m)	102 dB(A)
Frequency Response	150Hz - 15kHz
Angle of coverage	170°/130°/80° @ 1/2/4 kHz
Connector	Ceramic terminal block
Body colour	White RAL 9003
Fire dome material	Steel
Fire dome colour	Red
Dimensiones	Ø 230 mm x 150 mm
Flush-mounting hole	Ø 200 mm
Max ceiling thickness	30 mm
Net weight	1.5 kg
Operating temperature	-25° to +55°
Relative humidity	90% non condensing

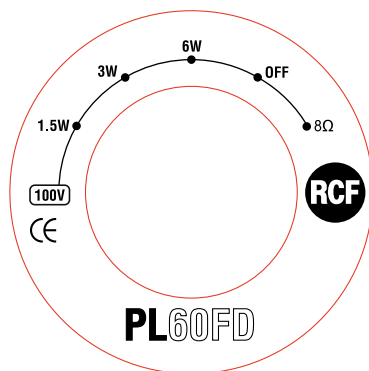


DIMENSION (All data are in mm)



POWER ROTARY SWITCH

Set the rotary switch to selected the chosen power value referring to the 100 V line (among 1.5 – 3 – 6 W) or to the 8 Ω position (for low impedance connection).



Note: if the rotary switch is set to the OFF position, the loudspeaker will be muted.

HEADQUARTERS:

RCF S.p.A. Italy
tel. +39 0522 274 411
e-mail: professionale@rcf.it

UK Sales Office
tel. 0844 745 1234
e-mail: info@rcfaudio.co.uk

France Sales Office
tel. +33 6 07501800
e-mail: rcfrance@aol.com

Germany Sales Office
tel. +49 2203 925370
e-mail: germany@rcf.it

USA Sales Office
tel. +1 (603) 926-4604
e-mail: info@rcf-usa.com

Spain Sales Office
tel. +34 91 817 42 66
e-mail: info@rcfaudio.es

www.rcfaudio.com