

NXL 44-A MK2

ACTIVE TWO-WAY ARRAY

DESCRIPTION

NXL 44-A MK2 is a line array column speaker masterfully engineered from the ground up to deliver stellar audio performance for Bands, DJs, Clubs, and Rental Companies. The best-in-class combination of premium RCF transducers and a 2,100W two-channel amplifier produce coherent 100° x 25° coverage for the listening area up to 135 dB SPL. The two-way design features three 10" neodymium woofers and a 3" driver on a waveguide. The speaker delivers an extended frequency range down to 45 Hz and can be used as a stand-alone speaker, flown, or coupled with another NXL 44-A MK2 for extended coverage. Blending RCF proprietary FiRPHASE and Bass Motion Control DSP processing, the NXL 44-A MK2 speaker is perfectly tuned for absolute sound clarity and deep, powerful bass response. The rugged, tour-ready, plywood cabinet is easy to carry and installed securely using the dedicated rigging points. Pairing the speaker with subwoofers delivers full-range power for medium-sized concerts and DJ systems.



FEATURES

- Up to 135 dB Sound Pressure Level
- 2100W Class-D Amplifier
- 100° x 25° Constant Directivity Coverage Angle
- 3" Titanium Neodymium Compression Driver
- 3 x 10" High Power Neodymium Woofers
- 45-20000 Hz linear Frequency Response
- Bass Motion Control and FiRPHASE processing
- 8 x M8 Rigging Points and 8 x Quick Lock
- IP Rated Powercon TRUE1 TOP IN/OUT

TECHNICAL SPECIFICATIONS

| | | |
|----------------------------------|----------------------------|---------------------------------------|
| Acoustical specifications | Frequency Response: | 45 Hz ÷ 20000 Hz |
| | Max SPL @ 1m: | 135 dB |
| | Horizontal coverage angle: | 100° |
| | Vertical coverage angle: | 25° |
| Transducers | Compression Driver: | 1 x 1.4" neo, 3.0" v.c |
| | Woofers: | 3 x 10" neo, 2.5" v.c |
| Input/Output section | Input signal: | bal/unbal |
| | Input connectors: | Combo XLR/Jack |
| | Output connectors: | XLR |
| | Input sensitivity: | -2 dBu/+4 dBu |
| Processor section | Crossover Frequencies: | 800 |
| | Protections: | Thermal, Excurs., RMS |
| | Limiter: | Soft Limiter |
| | Controls: | Linear, 2 Speakers, High-Pass, Volume |
| Power section | Total Power: | 2100 W Peak |
| | High frequencies: | 700 W Peak |
| | Low frequencies: | 1400 W Peak |
| | Cooling: | Convection |
| | Connections: | Powercon TRUE1 TOP IN/OUT |
| Standard compliance | CE marking: | Yes |
| Physical specifications | Cabinet/Case Material: | Baltic birch plywood |
| | Hardware: | 8 x M8, 8 x quick lock |
| | Handles: | 2 side |
| | Pole mount/Cap: | Yes |
| | Grille: | Steel |
| | Color: | Black |
| Size | Height: | 1080 mm / 42.52 inches |
| | Width: | 297.5 mm / 11.71 inches |
| | Depth: | 373 mm / 14.69 inches |
| | Weight: | 33.4 kg / 73.63 lbs |
| Shipping informations | Package Height: | 400 mm / 15.75 inches |
| | Package Width: | 1115 mm / 43.9 inches |
| | Package Depth: | 327 mm / 12.87 inches |
| | Package Weight: | 35.5 kg / 78.26 lbs |



PART NUMBER

• **13000756**

NXL 44-A MK2

115V

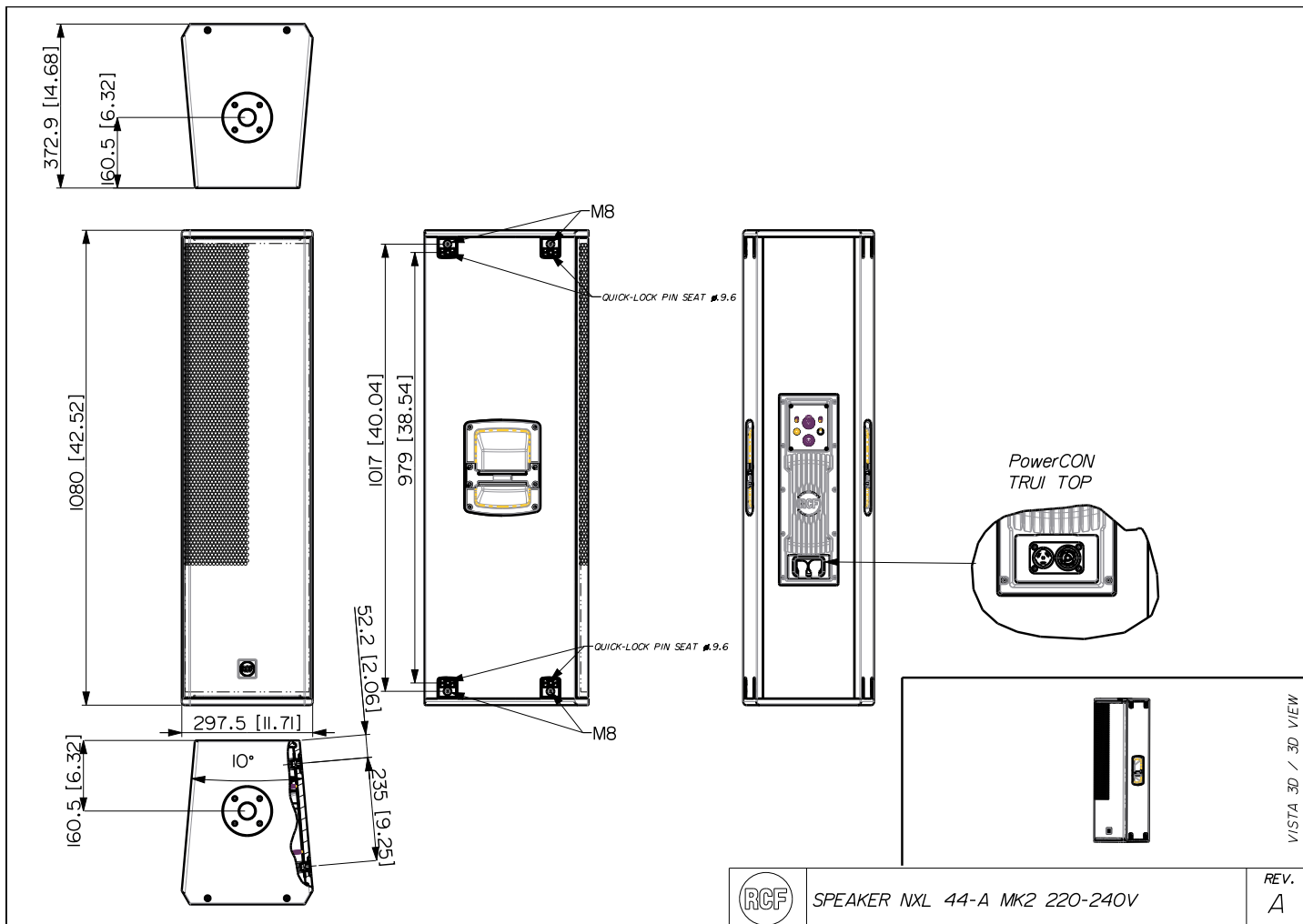
EAN 8024530019853

• **13000609**

NXL 44-A MK2

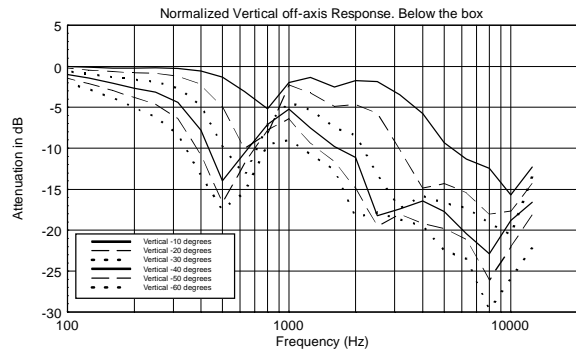
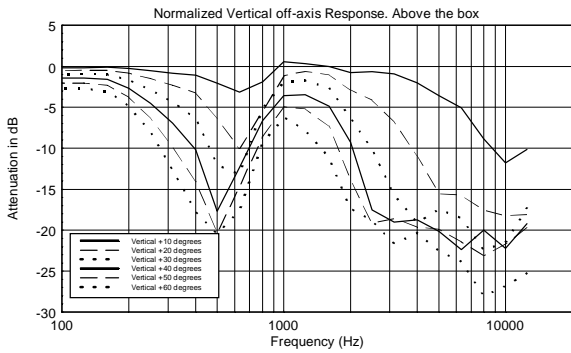
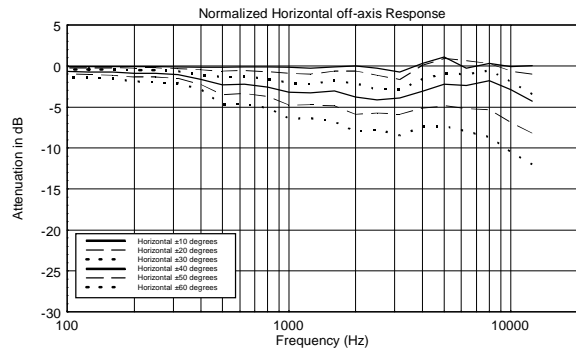
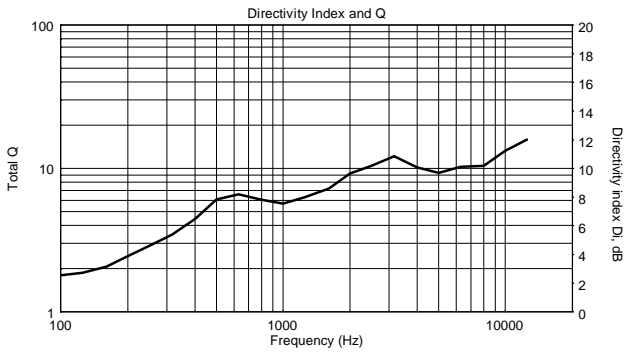
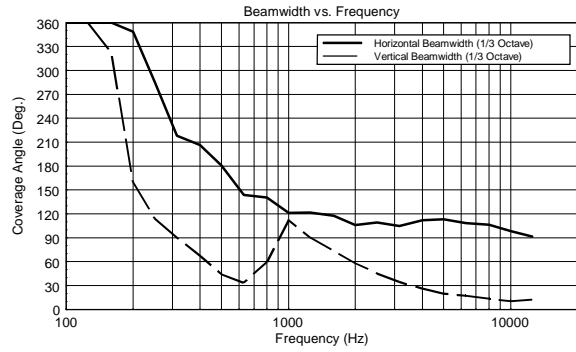
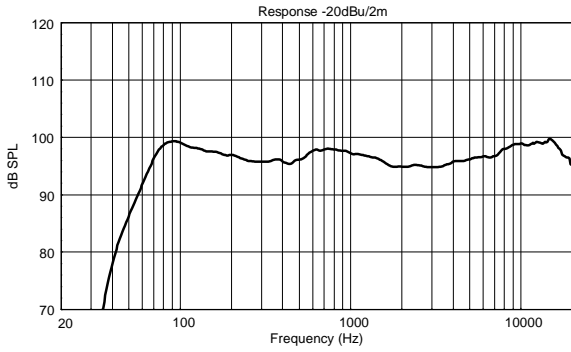
220-240V

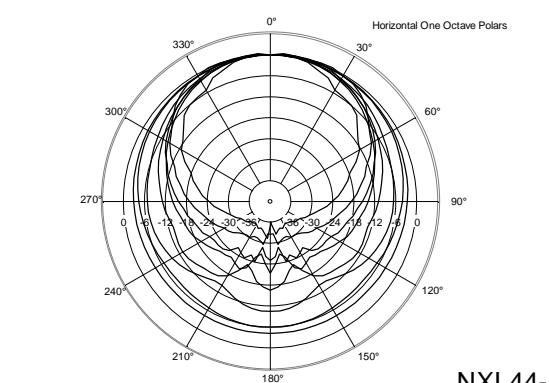
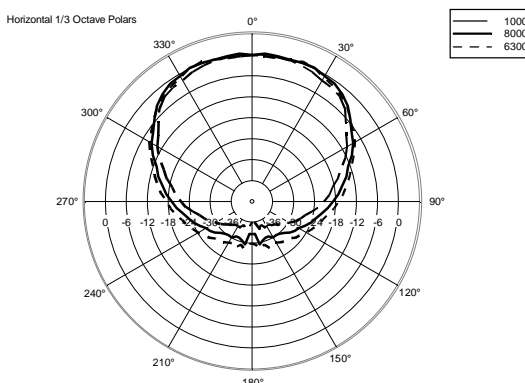
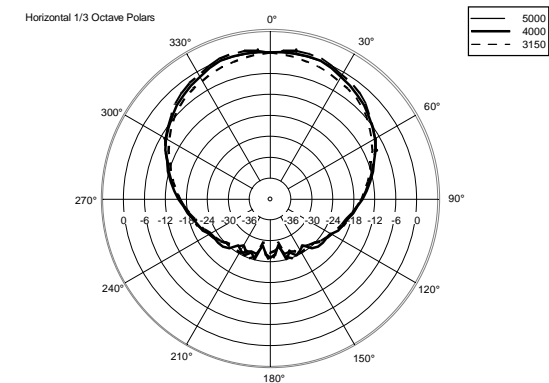
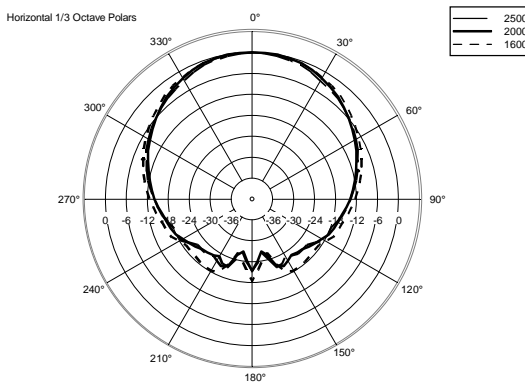
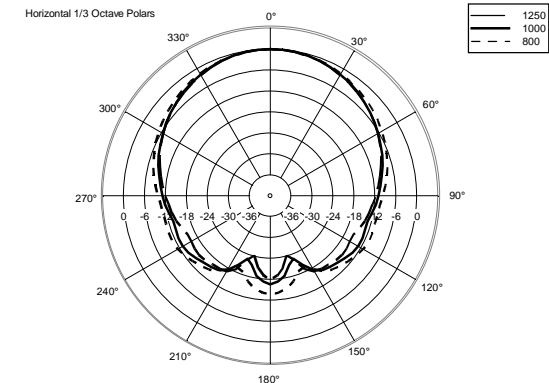
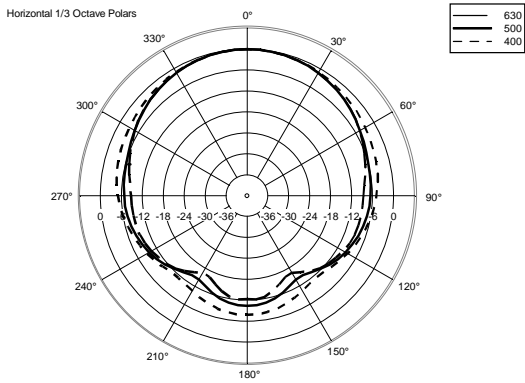
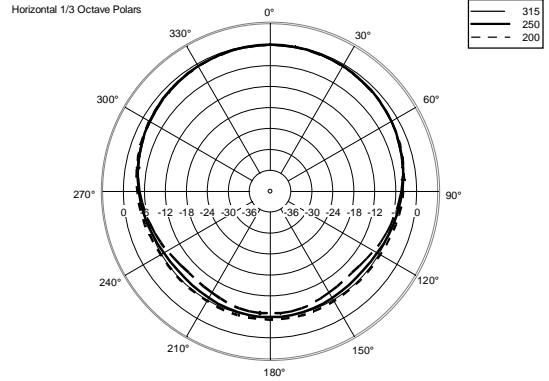
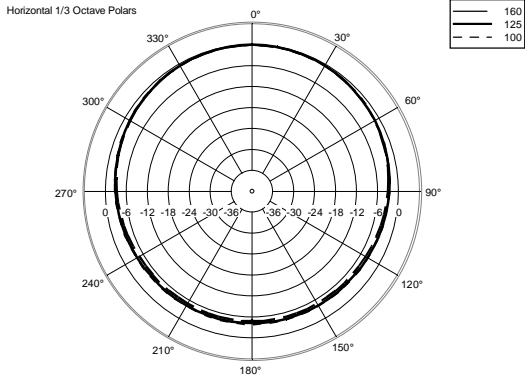
EAN 8024530019860

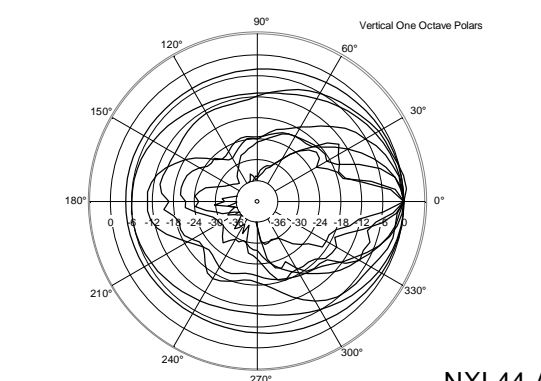
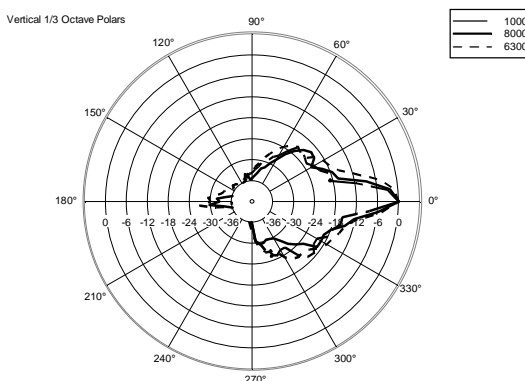
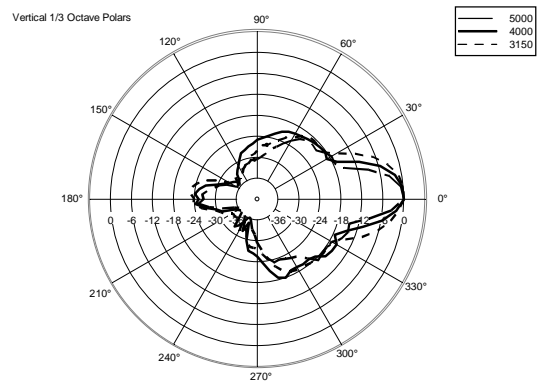
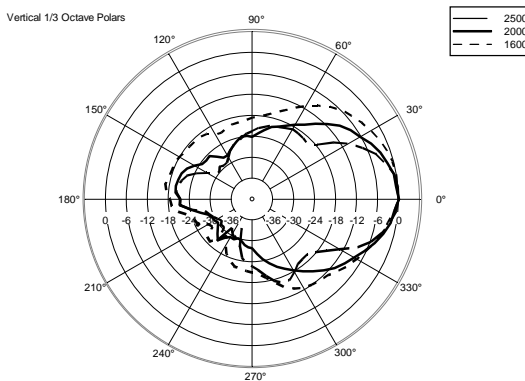
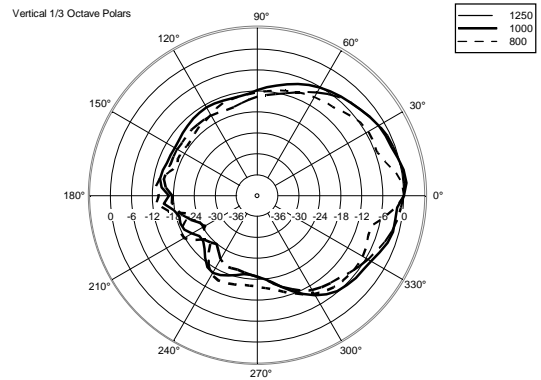
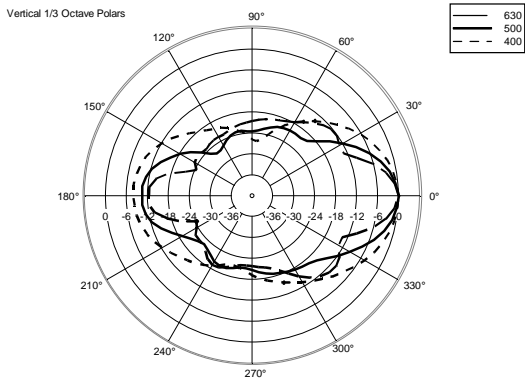
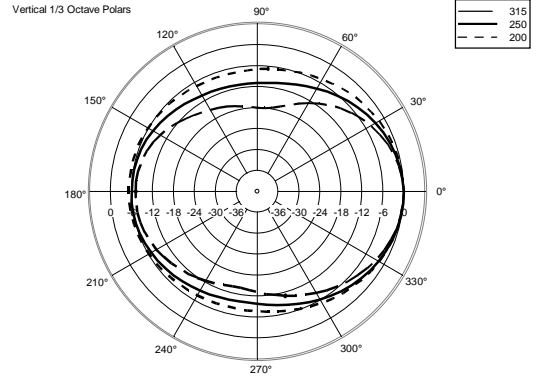
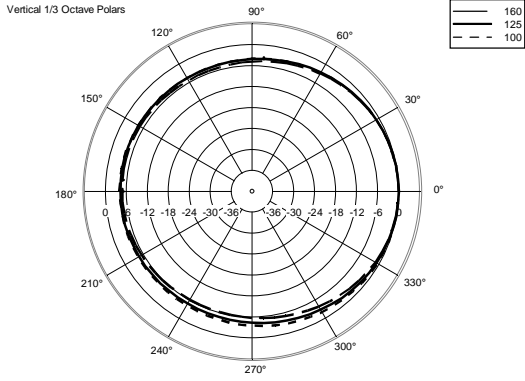


SPEAKER NXL 44-A MK2 220-240V









REV. A







ACCESSORIES

| | | | |
|---|--|---------------------|----------------------------------|
|  | AC PMA - POLE MOUNT | PART NUMBER EAN: | 13360034 8024530007713 |
|  | AC PM-M20 | PART NUMBER EAN: | 13360067 8024530014599 |
|  | AC PMX POLE MOUNT M20 | PART NUMBER EAN: | 13360232 8024530010058 |
|  | AC PRO-FS PROFESS. LOCKING FLOOR STAND | PART NUMBER EAN: | 13360109 8024530006471 |
|  | AC PRO-PM PROFESS. LOCKING POLE MOUNT | PART NUMBER EAN: | 13360110 8024530006488 |
|  | FLY BAR FL-B NXL 44 | PART NUMBER EAN: | 13360345 8024530013653 |
|  | LINK BAR FL-B LINK NXL 44 | PART NUMBER EAN: | 13360346 8024530013639 |
|  | STACKING KIT 2X NXL44-A | PART NUMBER EAN: | 13360347 8024530013646 |