

NX 915-SMA

PROFESSIONAL ACTIVE STAGE MONITOR

DESCRIPTION

NX 915-SMA speaker is a stage monitor designed for sound providers, musicians, bands, and DJs. The combination of a 1.75" compression driver, 15" woofer, two-channel 2100W amplifier, and the TRW waveguide produces coherent 100° x 70° coverage for the listening area with up to 131dB SPL of distortion-free sound. Used as a stage monitor, stand-alone speaker system, or satellite paired with a subwoofer, the NX 915-SMA blends high performance and reliability in a compact package. Combining RCF proprietary FiRPHASE and Bass Motion Control DSP processing, NX 915-SMA Series speakers deliver absolute clarity and deep, powerful bass response. The tour-ready, rugged all-wood cabinet is easy to carry and set up on stage or on a pole.



FEATURES

- New design TRW controlled dispersion horn 100° x 70° coverage
- 2100 Watt power and 131 dB max SPL
- FiRPHASE for 0° Phase Response
- 15" Woofer, 2.5" v.c.
- Compression driver with Kapton dome and 1,75 voice coil.
- Bass Motion Control Technology
- IP Rated Powercon TRUE1 TOP IN/OUT Mains Connections
- Multifunctional cabinet

TECHNICAL SPECIFICATIONS

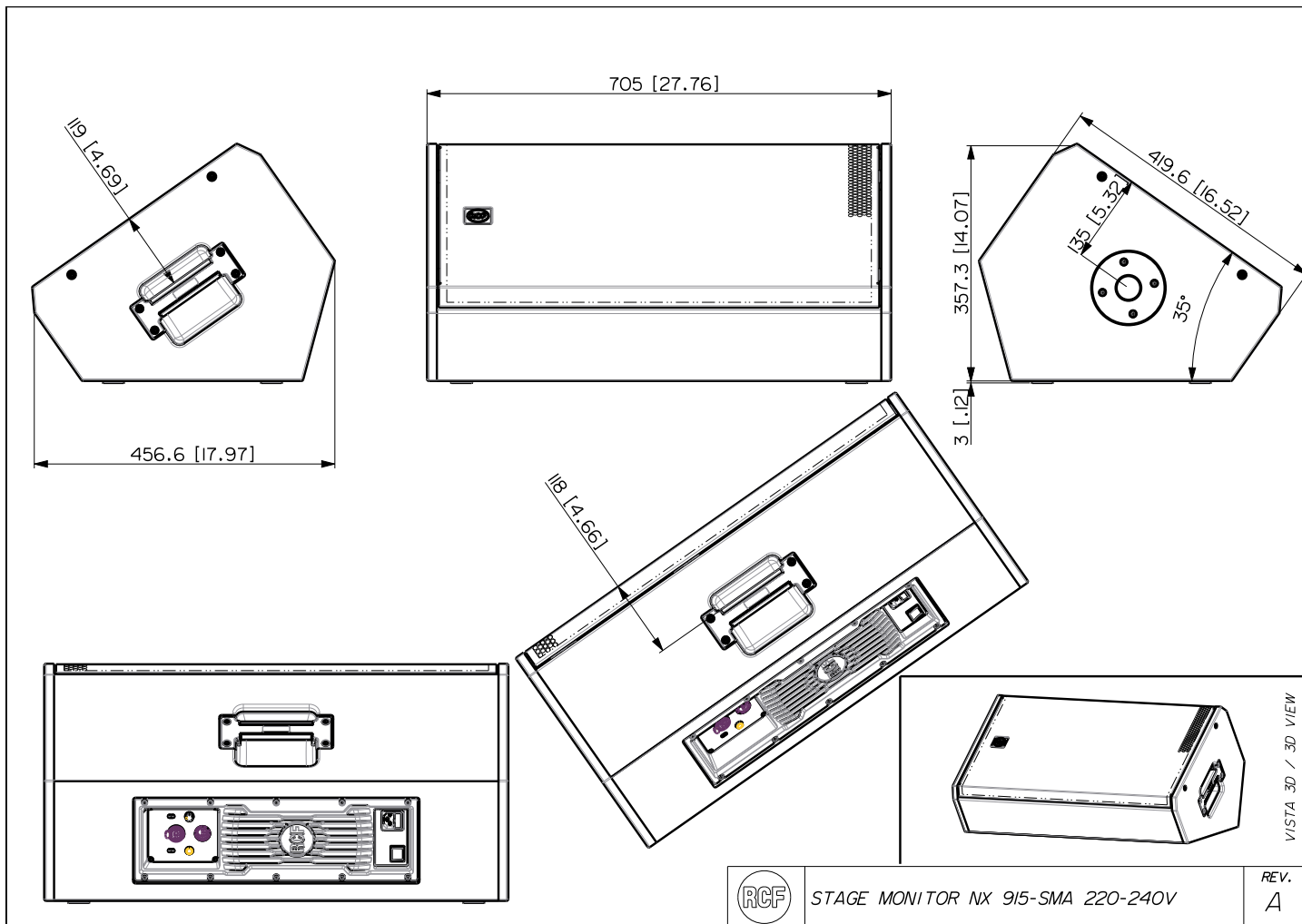
Acoustical specifications	Frequency Response:	45 Hz ÷ 20000 Hz
	Max SPL @ 1m:	131 dB
	Horizontal coverage angle:	100°
	Vertical coverage angle:	70°
Transducers	Compression Driver:	1 x 1.0", 1.75" v.c
	Woofers:	15", 2.5" v.c
Input/Output section	Input signal:	bal/unbal
	Input connectors:	Combo XLR/Jack
	Output connectors:	XLR
	Input sensitivity:	-2 dBu/+4 dBu
Processor section	Crossover Frequencies:	1600 Hz
	Protections:	Thermal, RMS
	Limiter:	Soft Limiter
Power section	Total Power:	2100 W Peak
	High frequencies:	700 W Peak
	Low frequencies:	1400 W Peak
	Cooling:	Convection
	Connections:	Powercon TRUE1 TOP IN/OUT
Standard compliance	Safety agency:	CE compliant
Physical specifications	Cabinet/Case Material:	Plywood
	Handles:	1 on side and 1 on top
	Pole mount/Cap:	Yes
	Grille:	Steel
	Color:	Black
Size	Height:	357.3 mm / 14.07 inches
	Width:	705 mm / 27.76 inches
	Depth:	456.6 mm / 17.98 inches
	Weight:	17.3 kg / 38.14 lbs
Shipping information	Package Height:	745 mm / 29.33 inches
	Package Width:	505 mm / 19.88 inches
	Package Depth:	425 mm / 16.73 inches
	Package Weight:	20 kg / 44.09 lbs



PART NUMBER

- **13000786**
NX 915-SMA
100-120V

- **13000785**
NX 915-SMA
220-240V
EAN 8024530020552



ACCESSORIES

AC PM-M20

PART NUMBER **13360067**
EAN: 8024530014599

AC PMX POLE MOUNT M20

PART NUMBER **13360232**
EAN: 8024530010058

AC PRO-FS PROFESS. LOCKING FLOOR STAND

PART NUMBER **13360109**
EAN: 8024530006471

AC PRO-PM PROFESS. LOCKING POLE MOUNT

PART NUMBER **13360110**
EAN: 8024530006488

RAIN PROTECTION RP 001

PART NUMBER **13360515**
EAN: 8024530020460