

COMPACT A 12

TWO-WAY PROFESSIONAL SPEAKER

DESCRIPTION

COMPACT A 12 is a multipurpose two-way full-range professional speaker system, suitable for a wide range of applications, such as live sound reinforcement and stage monitoring as well as distributed sound systems for clubs or music venues. The combination of a 1.75" compression driver, 12" woofer, and the constant directivity True Resistive Waveguide produces coherent 100° x 60° coverage for the listening area with high SPL, distortion-free sound. The sleek and lightweight cabinet uses a special polypropylene composite material with an M-brace internal reinforcement, making it easy to carry and secure to install on a pole, flown-, wall-, or truss-mounted using the multiple rigging points and available accessories.



FEATURES

- 400 W power handling
- Up to 129 dB Sound Pressure Level
- 55-20000 Hz linear frequency response
- 1.75" Compression Driver
- 12" High Power Woofer
- Robust composite material cabinet
- Steel full front grille
- Optional mounting accessories
- 2 x SPEAKON connectors

TECHNICAL SPECIFICATIONS

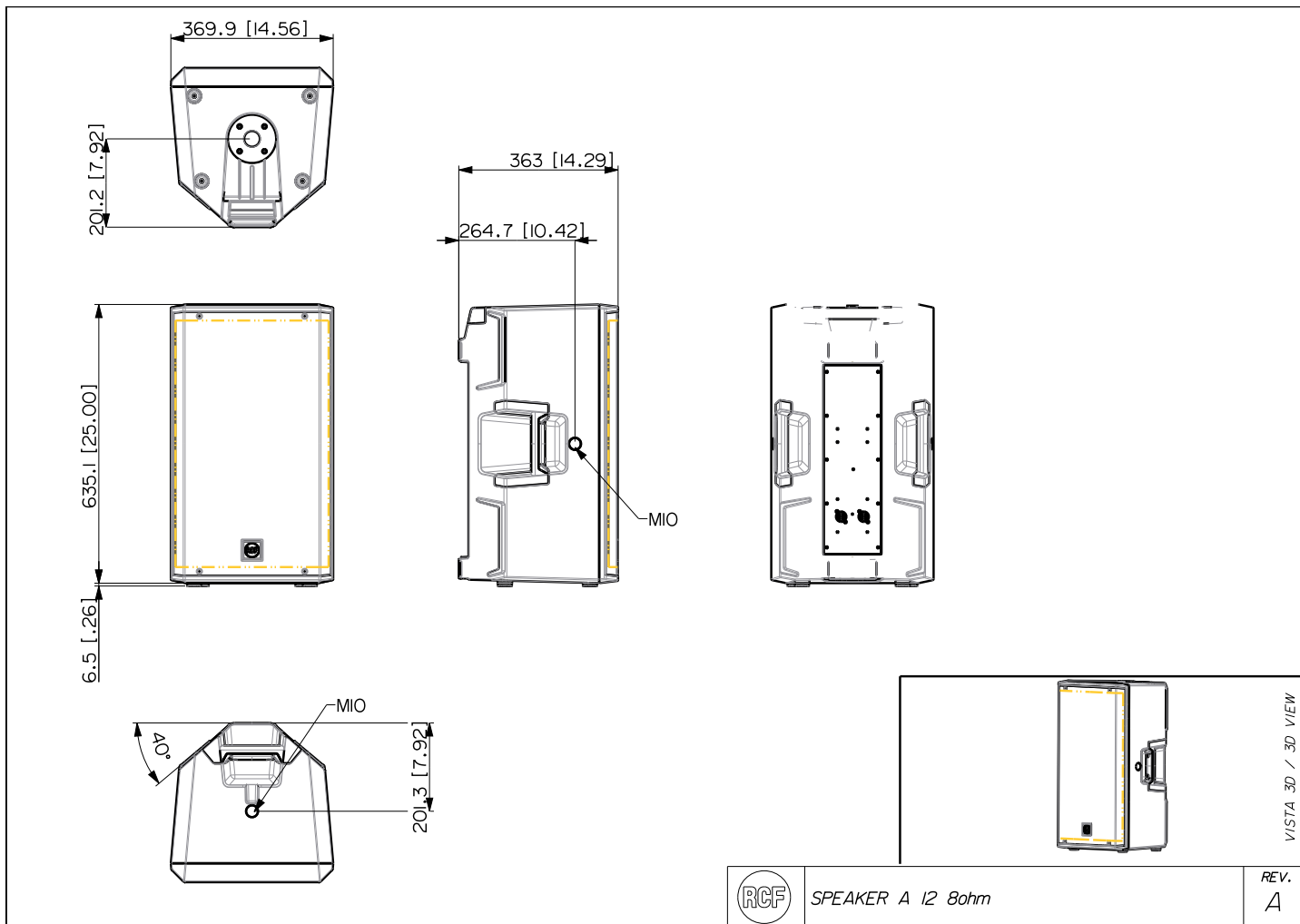
Acoustical specifications	Frequency Response (-10dB):	55 Hz ÷ 20000 Hz
	Max SPL @ 1m:	129 dB
	Horizontal coverage angle:	100°
	Vertical coverage angle:	60°
	System Sensitivity:	97 dB
Power section	Amplification:	Full Range
	Nominal Impedance:	8 ohm
	Power Handling:	400 W
	Peak Power Handling:	1600 W PEAK
	Recommended Amplifier:	800 W
	Protections:	Dynamic Active Mosfet
	Crossover Frequencies:	1200 Hz
Transducers	Compression Driver:	1.0", 1.75" v.c
	Woofers:	12", 2.5" v.c
Input/Output section	Input connectors:	Speakon
	Output connectors:	Speakon
Physical specifications	Cabinet/Case Material:	PP Composite
	Hardware:	1 x M10 top, 1 x M10 each side
	Handles:	1 top , 1 each side
	Pole mount/Cap:	Yes
	Grille:	Steel
	Color:	Black
Size	Height:	641.6 mm / 25.26 inches
	Width:	369.9 mm / 14.56 inches
	Depth:	363 mm / 14.29 inches
	Weight:	18.8 kg / 41.45 lbs
Shipping informations	Package Height:	685 mm / 26.97 inches
	Package Width:	430 mm / 16.93 inches
	Package Depth:	423 mm / 16.65 inches
	Package Weight:	21.4 kg / 47.18 lbs

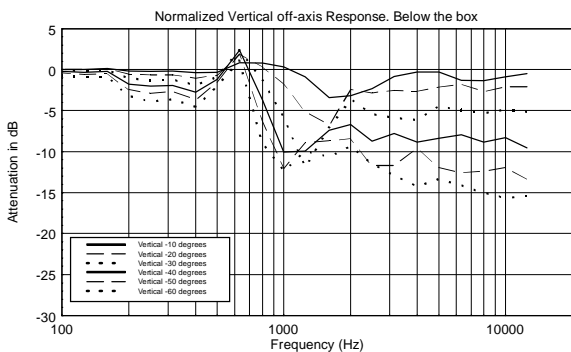
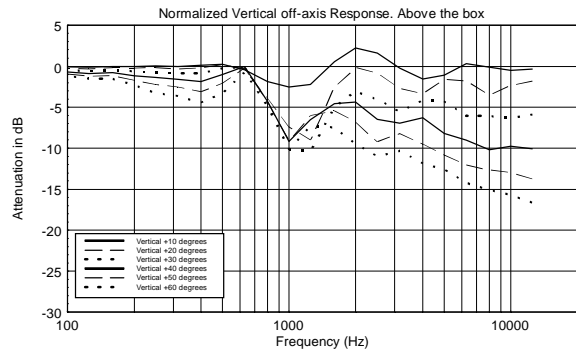
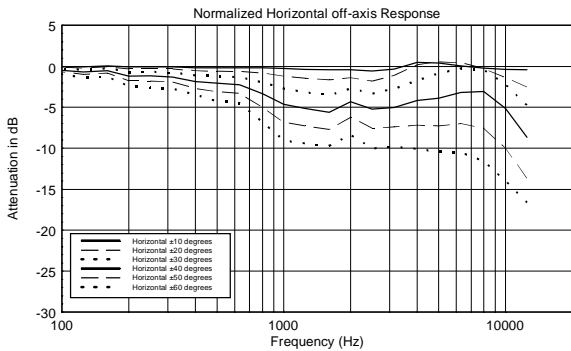
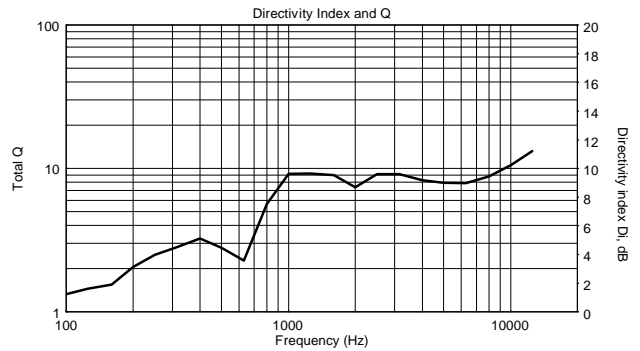
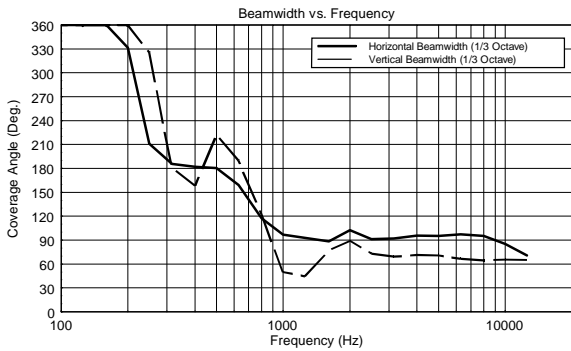
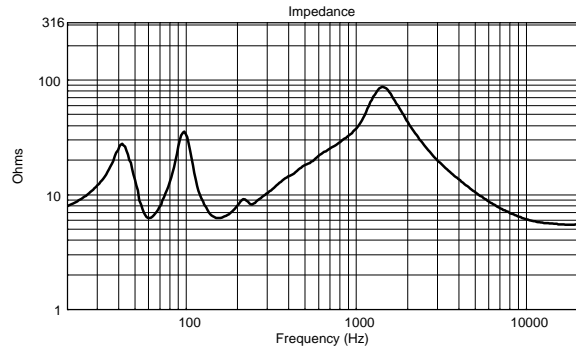
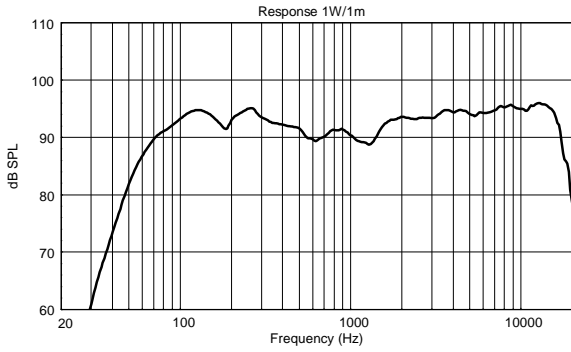
PART NUMBER

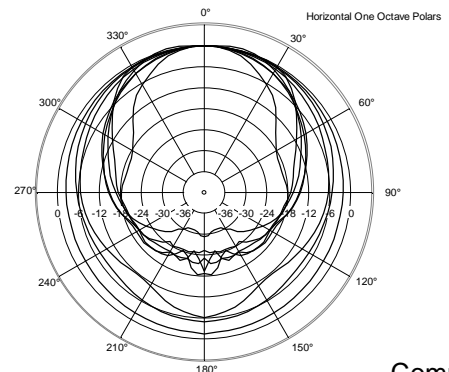
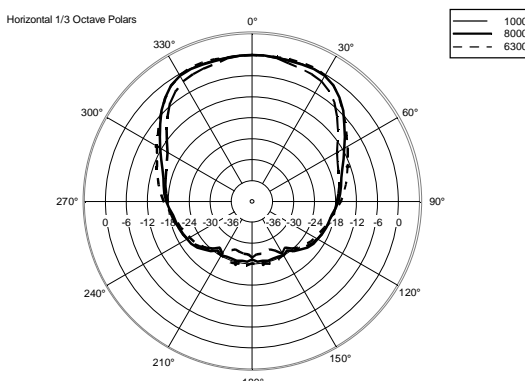
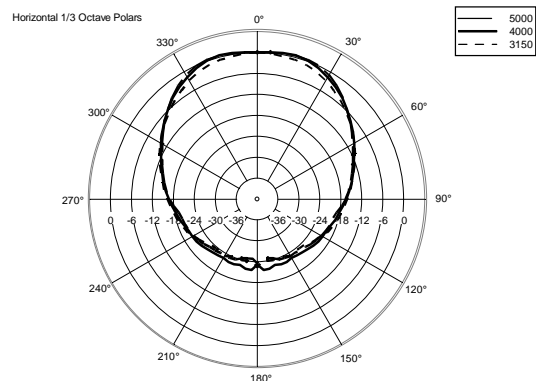
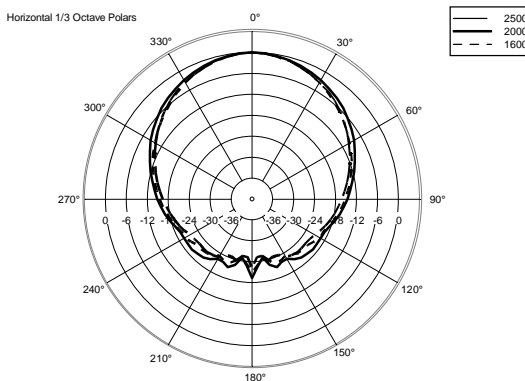
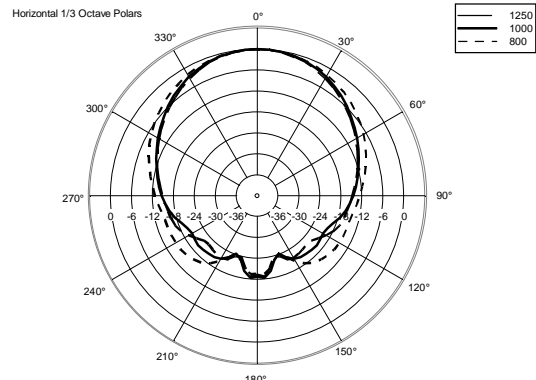
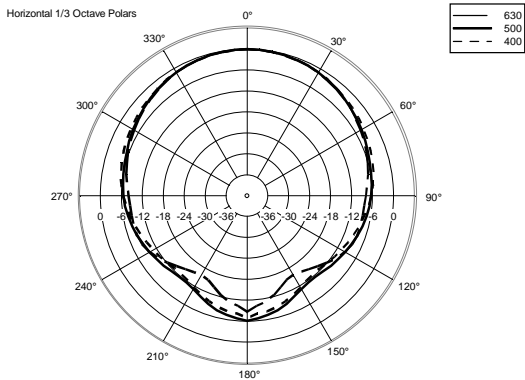
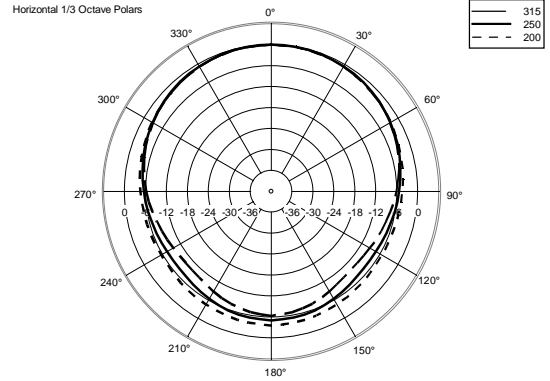
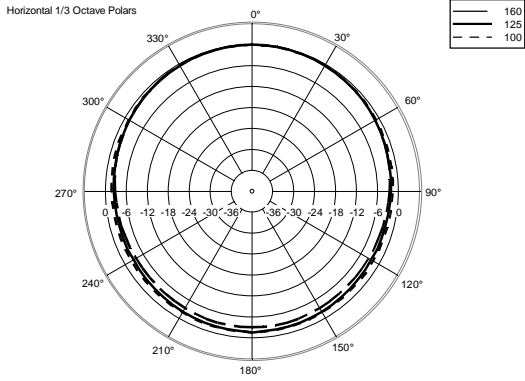
- **13000739**

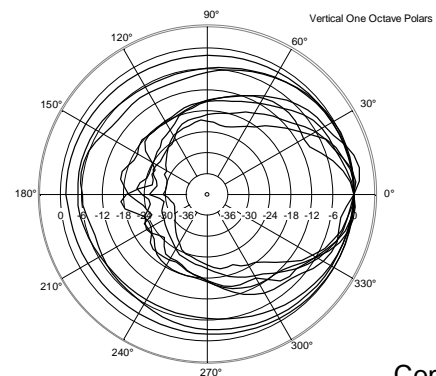
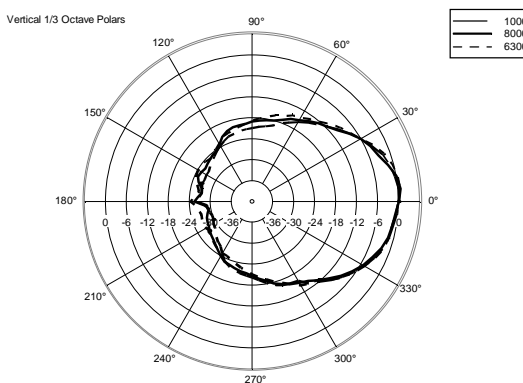
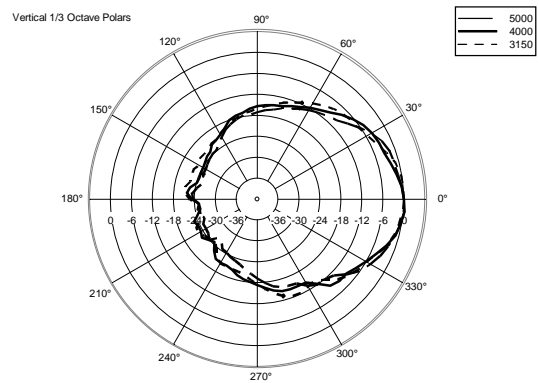
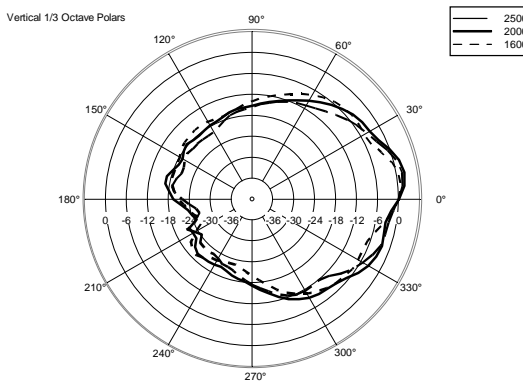
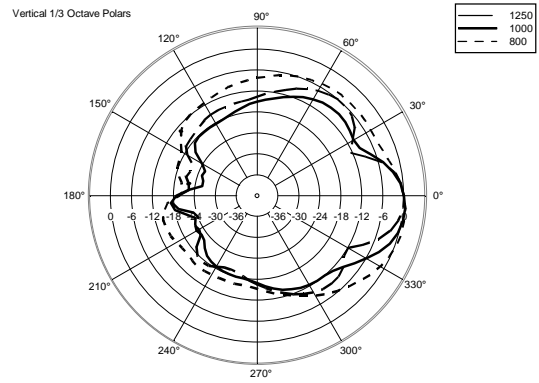
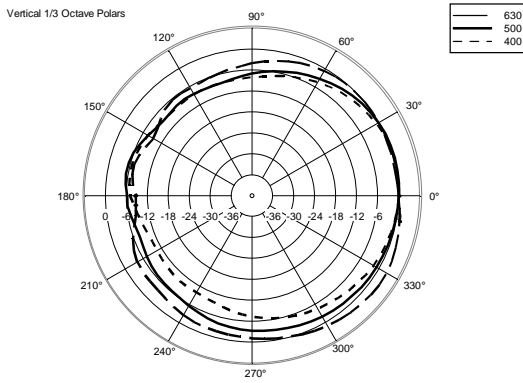
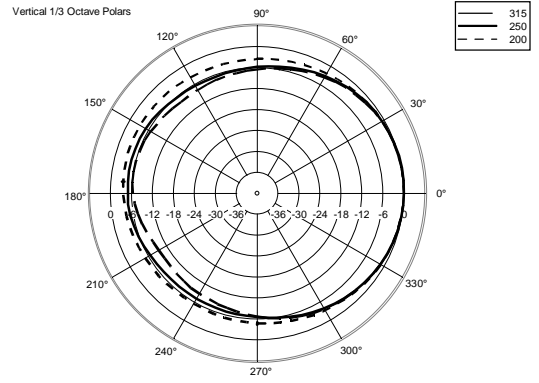
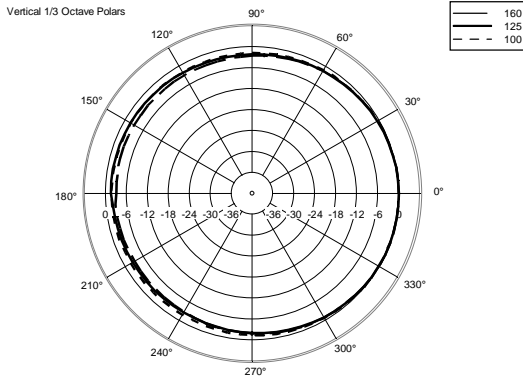
COMPACT A 12

EAN 8024530019754









ACCESSORIES

AC PM-M20

PART NUMBER **13360067**
EAN: 8024530014599

AC PMX POLE MOUNT M20

PART NUMBER **13360232**
EAN: 8024530010058

AC PRO-FS PROFESS. LOCKING FLOOR STAND

PART NUMBER **13360109**
EAN: 8024530006471

AC PRO-PM PROFESS. LOCKING POLE MOUNT

PART NUMBER **13360110**
EAN: 8024530006488

COVER CVR ART 912

PART NUMBER **13360474**
EAN: 8024530018849

FLYING BRACKET FL-BR ART 912

PART NUMBER **13360477**
EAN: 8024530019204

HORIZONTAL BRACKET H-BR ART 912

PART NUMBER **13360475**
EAN: 8024530019228

VERTICAL BRACKET V-BR ART 912

PART NUMBER **13360476**
EAN: 8024530019211



A&E SPECIFICATIONS

The product shall be a multipurpose two-way full-range professional speaker system, suitable for a wide range of applications, such as live sound reinforcement and stage monitoring as well as distributed sound systems for clubs or music venues. It shall feature high sensitivity, typical of professional audio cabinets, with smooth and wide frequency response, thanks to the wave-guided compression driver. It shall be robust, suitable for transportation and for any working environment. Optional mounting accessories shall be available for wall or ceiling installations.