

HORN HF950

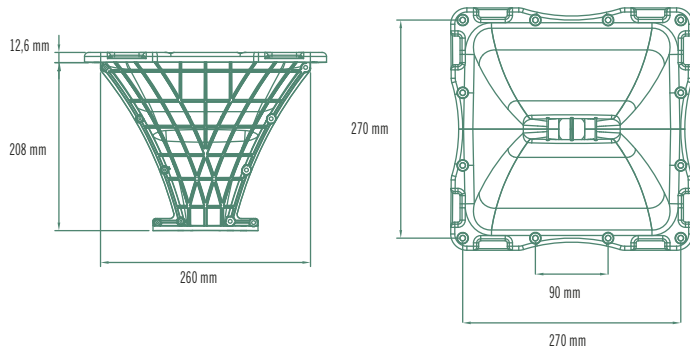
Professional High Frequency Transducer



PART NUMBER **13133080**

Features

- 1.4 inch Throat Diameter
- 90° x 50° Constant Directivity Coverage
- Loading down to 400 Hz
- Structural Polyurethane
- Perfectly Controlled Dispersion



General Specifications

Throat Diameter	36 / 1.4	mm/inch
Nominal Coverage (-6dB)	90x50	
Cut-off Frequency	400	Hz
Material	Structural Polyurethane	

Mounting Information

Overall Dimensions	300x300	mm
Baffle Cut-out Dimensions	260x260	mm
Total Depth	221	mm
Driver Mounting	4 x 6.5 mm holes	
	101/76	mm
Net Weight	1.06	kg
Shipping Weight	1.4	kg

