



Compact Light Controller

Controller description

PX145 Compact Light Controller is a lighting controller that allows to control complex lighting installations.

To communicate with the environment 24 on / off inputs, output in standard DMX-512, remote wireless control transmitting in the code RC-5 input and USB port are used.

The module is designed to control both fast and slow changes in lighting installations. It suits perfectly synchronization of music and dynamic lighting or control all intelligent devices. Thanks to that the device can also control complex lighting installations, e.g. for museums, facades lighting, fountains, etc.

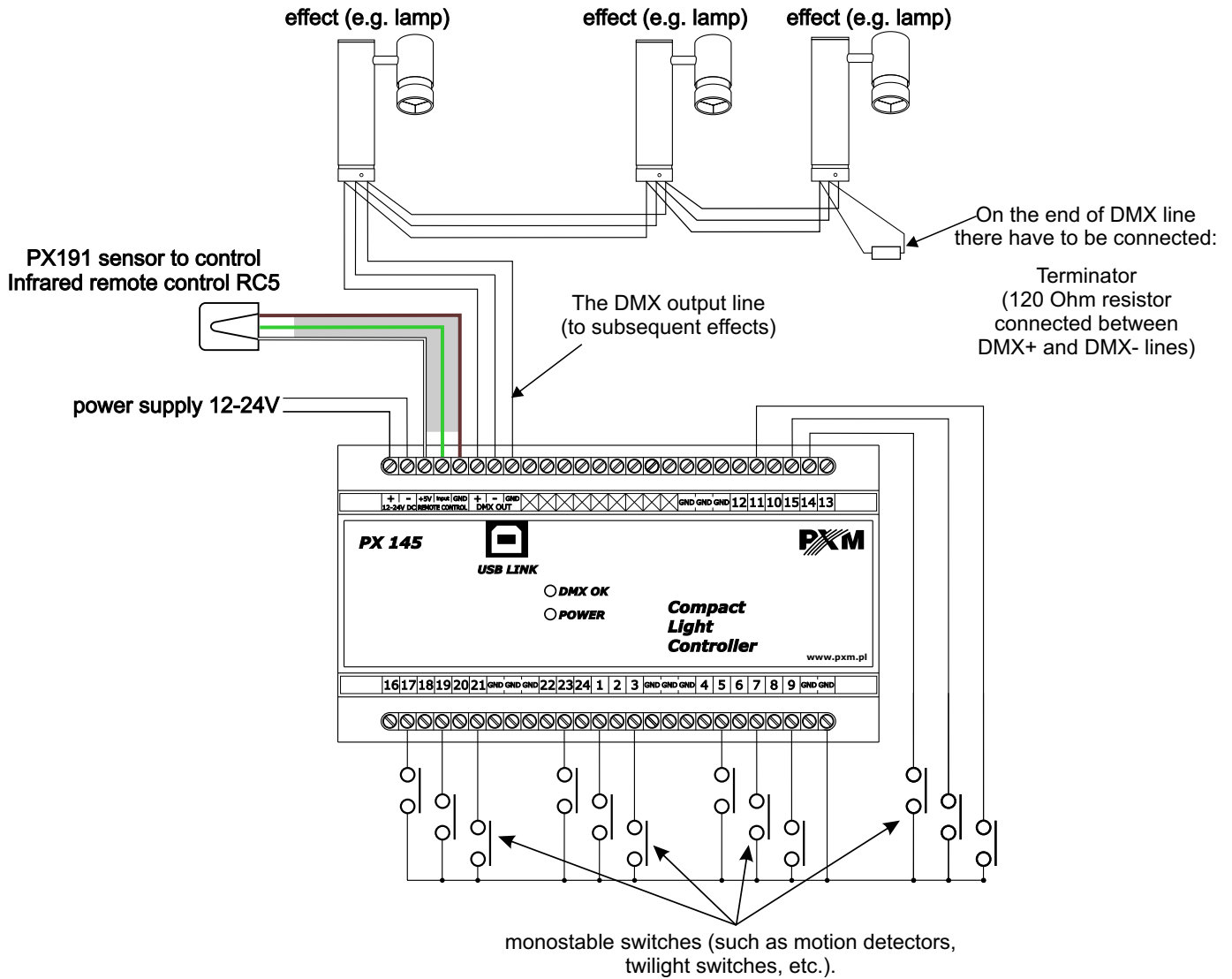
The device is programmed with the use of external application on the Windows platform via the USB port. After setting up it can work completely independently. Control of the module can be done from the outside devices with the keys (it may be, for example switches, motion or dusk detectors), or remote controller. Device has built-in real time clock which allows precise planning of events and programming of them in 1024 the timers. It is possible to correlate the events with built-in array of sunrises and sunsets for user-defined geographic coordinates.

PX 145 can control up to 64 DMX channels, define the 3072 scene and the creation of these 512 programs, consisting of a maximum of 999 steps each. In addition, scenes and programs can be combined in sequences. The controller also has a built-in status, which condition the execution of any share from others to prevent and reduce the daily running light configuration within a preset time interval.

Technical Data

Type	PX 145
Power supply:	12-24V DC
Max. current consumption:	400mA
Control outputs on / off type:	24
Remote controller RC-5 output:	1
DMX output channels:	64
Real time clock:	YES
Programmable options:	
Scenes	3072
programs	512 (max 999 steps each)
Timers	1024
sequences	128
delays	512
internal events	1024
Masks	256
Programmable range time of scenes / steps:	0,1 s - 1,49 h
Dimensions:	Width: 157,5 mm (9 DIN rail modules) Height: 86 mm Depth: 60 mm

Device scheme



Technical drawing

