

Edition: 10/05 - subject to change

Supersedes:  
Status: valid

# 93729 HPL (230/240V)

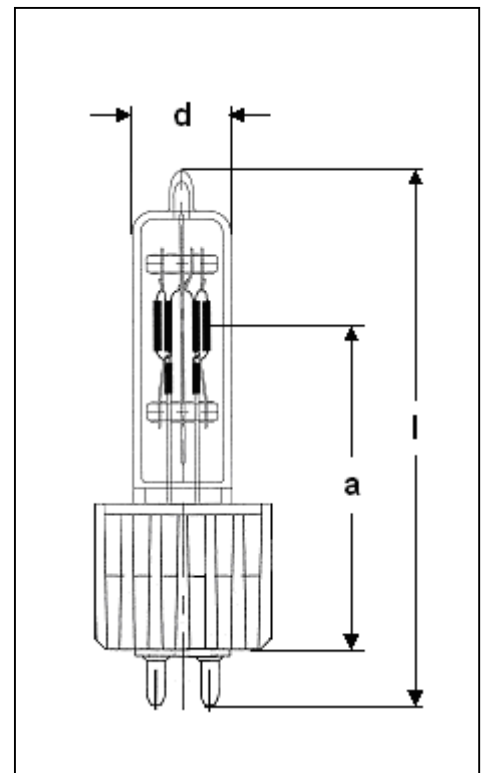
## ■ Product description

The OSRAM 93729 (HPL 750/230)\* is a Halogen **H**igh **P**erformance **L**amp (HPL), which is manufactured under the licence of ENTERTEC Inc., L.A./USA. The particular arrangement of the filaments is designed for optimum performance in luminaries of the "Source Four" family from ETC. Due to the UCF (Ultra Compact Filament) technology the lamp efficiency could be further improved.

## ■ Technical Data

Lamp / order reference		93729 HPL
ANSI		HPL 750
LIF		-
Rated lamp wattage	W	750
Rated lamp voltage	V	230*
Rated current	A	3.3
Average life-time	h	300
Color temperature	K	3200
Luminous flux	lm	19000
Base		G9,5 special with heat sink
Diameter d	mm	19
Lamp length L	mm	104
LCL a	mm	60,3
Filament dimensions (w x h)	mm	7.5 x 11.5
Type of coil		6-C8

\* also available as version HPL 750/240 (240V)



## ■ Lamp operation

Max. base temperature	°C	350
Cooling		convection
Burning position		any
Fuse protection		6.3 A quick