

NTL720 Specifications



DESCRIPTION

The NTL720 is a very compact, self-powered, 3-way line array loudspeaker module. Designed for the demands of professional use, it is ideal for main PA in both portable and installed applications, including theatres/auditoriums, corporate AV, houses of worship, and live concert events.

One large MF/HF horn fills the entire face of the enclosure, better maintaining horizontal pattern control throughout the MF/HF passband. The curved aperture MF loading slots in the horn decrease the percentage of open area at any point along the horn, which greatly minimizes interference to the HF wavefront. The side-mounted LF drivers are frequency shaded, providing proper integration with the front-firing LF/MF drivers while supplying additional LF output and extended horizontal pattern control.

Self-powering is supplied by three individual 500-watt Class D amplifier modules precisely matched to their own digital signal processors. Each DSP provides response correction as well as EQ, delay, level, and delay for additional tailoring and alignment control. Further, EAW's Guinness Focusing™ digital filter algorithms generate precise, complex, filter responses, resulting in a powerful, horn-loaded loudspeaker that has the natural, open, detailed reproduction of the best direct radiating designs.

EAWPilot control software provides comprehensive DSP control as well as monitoring of amplifier status. Input selection is a choice of analog, AES left/right, and EAW's proprietary U-Net. Communication connection options include U-Net and a USB port on the back panel for interfacing with the DSP.

The FastLatch™ proprietary rigging system is extremely quick and easy to use, in tandem with the very small and light enclosure. Cabinet splay angles are selectable in 3-degree increments between 12 and 0 degrees. Driver, horn and electronic components - and even entire modules - can be replaced within built array structures, whether flown or stacked.

Six year loudspeaker warranty. Two year electronics warranty.

3-WAY SELF-POWERED, 110° x 12°

CONFIGURATION

Subsystem	Transducer	Loading
LF	2x 6 in, 1.75 in voice coil cone driver	Sealed
LMF	2x 6 in, 1.75 in voice coil cone driver	Sealed
HF	6x 1 in dome tweeter	

Operating Mode

	Amplifier Channels	Signal Processing
Tr-amp	LF, LMF, HF	DSP

ACOUSTICAL PERFORMANCE

Operating Range	75 Hz to 21 kHz
-----------------	-----------------

Output (Single Cabinet)

	Peak	Cont
Full Range	133 dB	127 dB
LF		122 dB
MF		122 dB
HF		122 dB

Nominal Beamwidth

Horz	110°
Vert	12°

ELECTRICAL PERFORMANCE

Input	
Type	Electronically balanced
Sensitivity	2.5V Sensitivity
Impedance	20 kohm balanced input impedance
Wiring	Pin 1 chassis, Pin 2 +, Pin 3 - Also, separate loop thru XLRM

DSP

Encoding	24 Bit, 48 kHz
Latency	2.97 ms latency

User Addressable DSP

	Array	Box
EQ	10 Parametric	10 Parametric
Delay	600 ms	600 mx
Level	15 dB +/-	15 dB +/-

Amplifier

Type	3x Modified Class D
Maximum Output	45 V, 500 W @ 4 ohms
THD + Noise	<0.1%
Dynamic Range	>102 dB

AC Mains

	115 V	230 V
Input	100 V to 120 V	220 V to 240 V
Frequency	50 Hz to 60 Hz	50 Hz to 50 Hz
Current: Idle	0.25 A	0.15 A
Fuse Rating	6.3 A Fuse	3.15 A fuse

Input Selection	Analog, AES L, AES R, U-Net
-----------------	-----------------------------

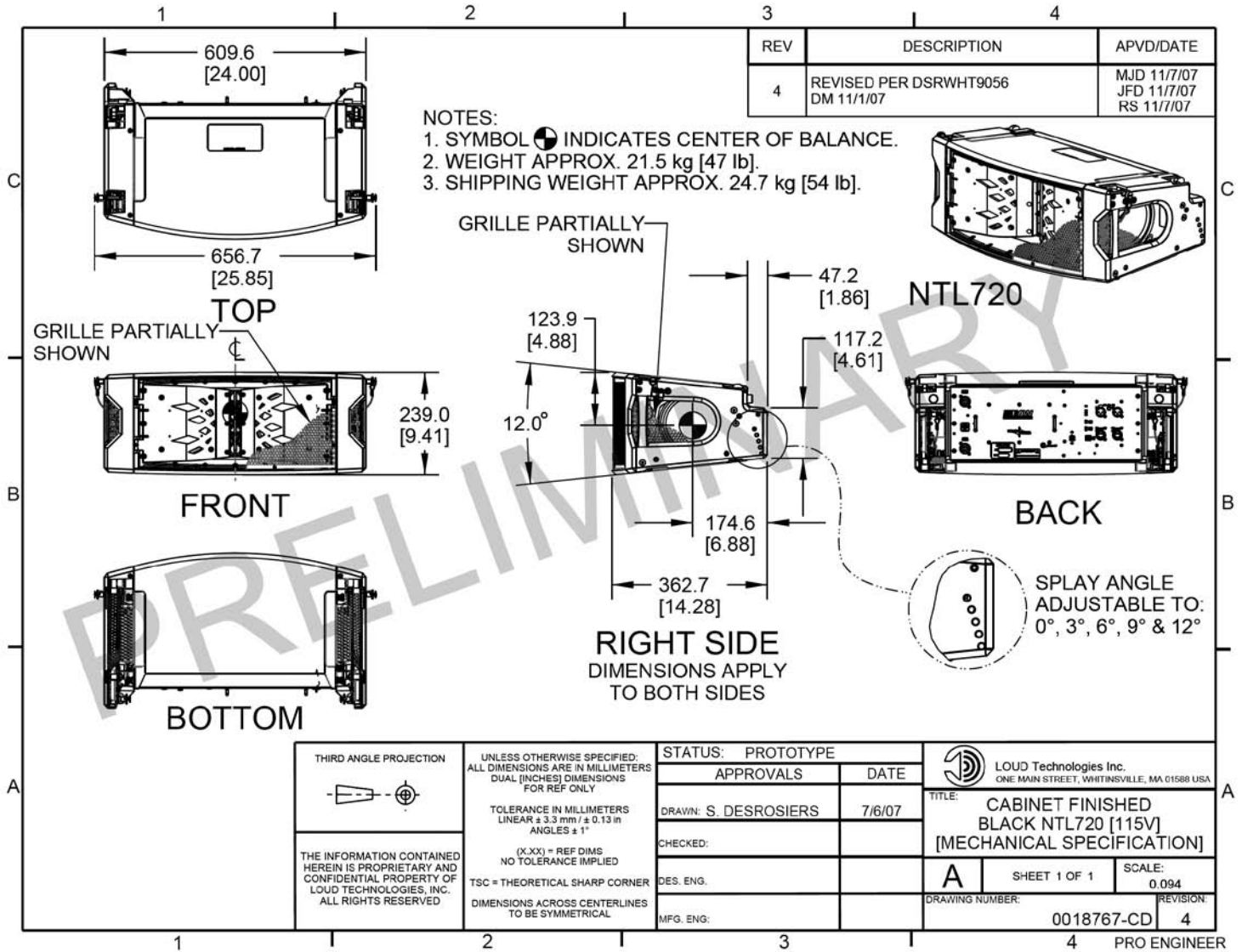
Communication	USB, U-Net 1, U-Net 2
---------------	-----------------------

CONTROLS	HF Boost, Nearfield Contour
----------	-----------------------------

INDICATORS (LED)	
Signal Present	HF Boost Selection
Limiter Active	Nearfield Contour Selection
Clip	Amplifier Status
U-Net Status	Input Selection

NTL720 Specifications

DIMENSIONS



NOTE: This drawing has been reduced. Do not scale.

ENCLOSURE

Material	Baltic birch plywood
Finish	RoadCoat™ wear resistant textured black paint
Grille	Powder-coated perforated steel

COMPLIANCE

CE	EN 60065:2002, EN 55103-1:1997, EN 55103-2:1997 EN55103-1, EN55103-2, EN60065
CSA	CAN/CSA60065-03, ULStd No. 60065-03
FCC	Part 15

PHYSICAL PACKAGE

Cabinet Dimensions

H	9.41 in	239.0 mm
W	24 in	609.6 mm
D	14.28 in	362.7 mm

Shipping Dimensions

H	11 in	279.4 mm
W	26 in	660.4 mm
D	16 in	406.4 mm

Weight

47 lbs	21.5 kg
--------	---------

Shipping Weight

54 lbs	24.7 kg
--------	---------