



Note: This document assists in providing a solution for suspending ModularDesign series loudspeakers. This document does not include requirements for structural mounting. QSC Audio is not responsible for improper mounting. Please consult a licensed professional engineer regarding installation.

Recommended vendors for purchasing suspension and rigging hardware are Allen Products (www.allenproducts.com) or ATM Flyware (www.atmflyware.com). The ModularDesign series is listed on their website under loudspeaker manufacturing section.

Contact information:

Allen Products Company, Inc
1635 E. Burnett Street
Signal Hill, CA 90755
Tel (800) 427-2462
Fax (888) 329-2272

ATM Group, Inc.
21000 S. Wilmington Avenue
Carson, CA 90810
Tel (310) 834-5914
Fax (310) 834-3042

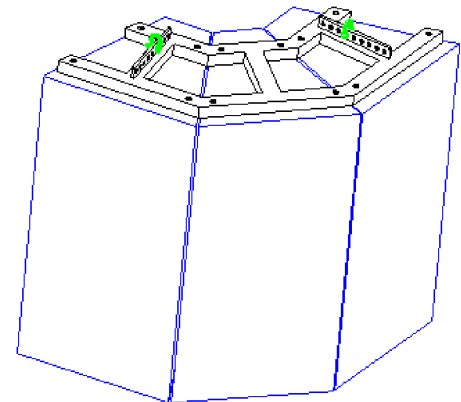
ATM Flyware Suspension and Rigging Solutions

2X3 Series Single Purpose Suspension Truss System

The 2X3 Series is an economical solution for suspending a single purpose loudspeaker array from two or three fixed structural attachment points. The 2X3 Suspension Truss is designed to hold the loudspeakers with the appropriate splay and wavefront alignment to optimize cluster performance. The 2X3 Series is equipped with two suspension rails with multiple attachment holes that travel from front to back across the top of the array. This allows manipulation of the center of gravity of the cluster to achieve down tilt without a pull strap.

2 Choices:

1. **QSC-MD(X2)-T 2X3 Series Truss**
2-wide loudspeaker suspension truss module.
2. **QSC-MD(X3)-T 2X3 Series Truss**
3-wide loudspeaker suspension truss module.



As seen: 3-cabinet array system

ATM Rigging Hardware**3/8X11/4EYE 3/8" Shoulder Eyebolt**

3/8" X 1 1/4" shoulder eyebolt with machined threads,
3/8" Diameter, 16 thread per inch, 1 1/4" long.

**3/8SPA 3/8" SPA Shackle**

3/8" forged screw pin anchor shackle, galvanized.
Shackle bow diameter = .38", Pin diameter = .44" .27 Kg / .31 Lb.

**1/47X19GAC Wire Rope in Bulk**

1/4" - 7 x 19 Galvanized Aircraft Cable
Meets or exceeds minimum government standards.
Minimum breaking strength = 3175 kg / 7000 Lbs



Allen Products Flyware Suspension and Rigging Solutions

Steerables™ Speaker Aiming System

A complete system for mounting and aiming the ModularDesign loudspeakers.



Wall-Mount Version
SAS-100-CM series



Ceiling-Mount Version
SAS-100-WM series

GridLink™ Rigging Beam System

The GridLink™ rigging beams provide the foundation for a modular approach to temporary and permanently installed loudspeaker grids, arrays and clusters.

