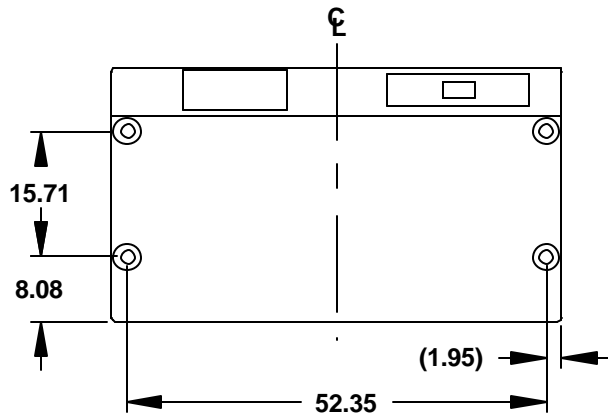
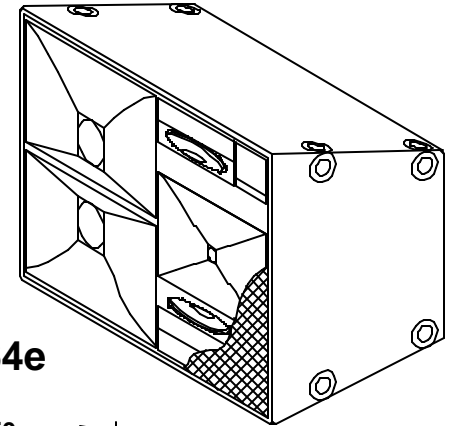


REV	DESCRIPTION	APVD/DATE
A	RELEASED TO PRODUCTION FROM REV 1 PER DSR #02-1000 DM 9/3/02	RS 9/11/02

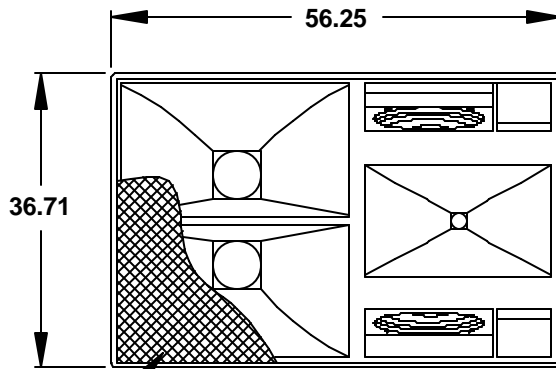


**VIEW A-A**  
DIMENSIONS APPLY  
TO TOP AND BOTTOM

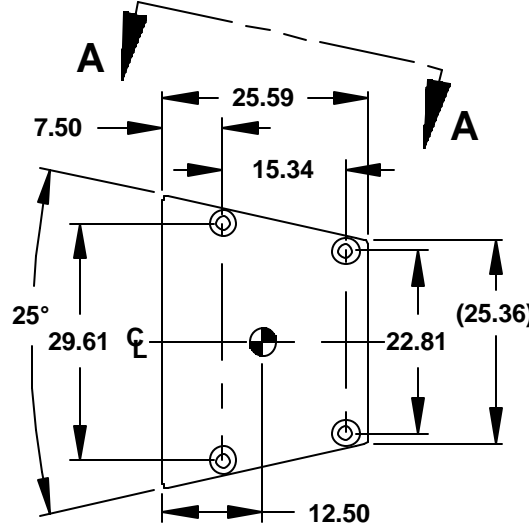
- NOTES:**
1. SYMBOL  $\odot$  INDICATES MOUNTING POINT, 3/8-16 THREAD HOLE (PI ANGLE).
  2. SYMBOL  $\bullet$  INDICATES CENTER OF BALANCE.
  3. WEIGHT APPROX. 300 LBS.
  4. SHIPPING WEIGHT APPROX. 330 LBS.



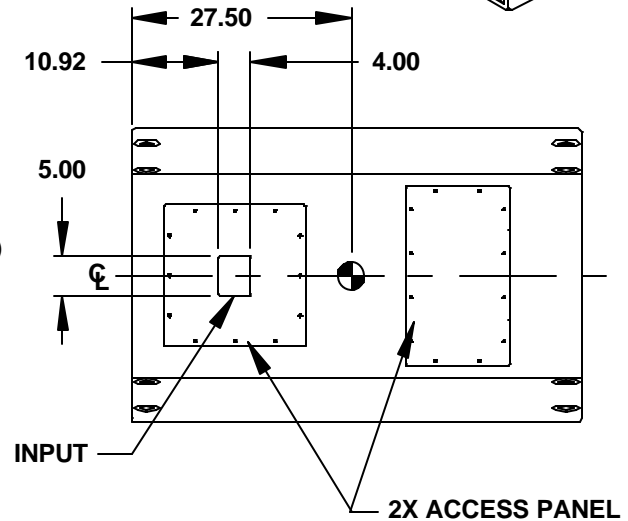
**MQV2364e**



GRILLE PARTIALLY SHOWN  
**FRONT**



**SIDES**  
DIMENSIONS APPLY  
TO BOTH SIDES



**BACK**

DOCUMENT CONTROL PER SPECIFICATION 4.5.201

<p>THIRD ANGLE PROJECTION</p>	<p>UNLESS OTHERWISE SPECIFIED: ALL DIMENSIONS ARE IN INCHES</p> <p>TOLERANCE IN INCHES .XX ± .13 ANGLES ± 1°</p> <p>(X.XX) = REF DIMS NO TOLERANCE IMPLIED</p> <p>T.S.C.=THEORETICAL SHARP CORNER</p> <p>DIMENSIONS ACROSS CENTERLINES TO BE SYMMETRICAL</p>	<p>STATUS: <b>PRODUCTION</b></p>		<p><b>EA</b> EASTERN ACOUSTICWORKS ONE MAIN STREET WHITINSVILLE, MA 01588 USA</p>
		<p>APPROVALS</p> <p>DRAWN: DM</p> <p>CHECKED: RS</p> <p>DES ENG: PAD</p> <p>MFG ENG: DBD</p>	<p>DATE</p> <p>3/14/02</p> <p>9/11/02</p> <p>9/11/02</p> <p>9/13/02</p>	
<p>THIS DRAWING IS THE PROPERTY OF EA AND SHALL NOT BE COPIED, REPRODUCED, OR USED AS THE BASIS FOR MANUFACTURE OR SALE OF APPARATUS WITHOUT WRITTEN AUTHORIZATION. DO NOT SCALE DRAWING.</p>		<p><b>A</b> SHEET 1 OF 1</p>	<p>SCALE: 1 TO 24</p>	<p>DRAWING NUMBER: 0002341</p>
				<p>REVISION : A</p>