

**Layher Construction Accessories  
and Versatile System Parts**

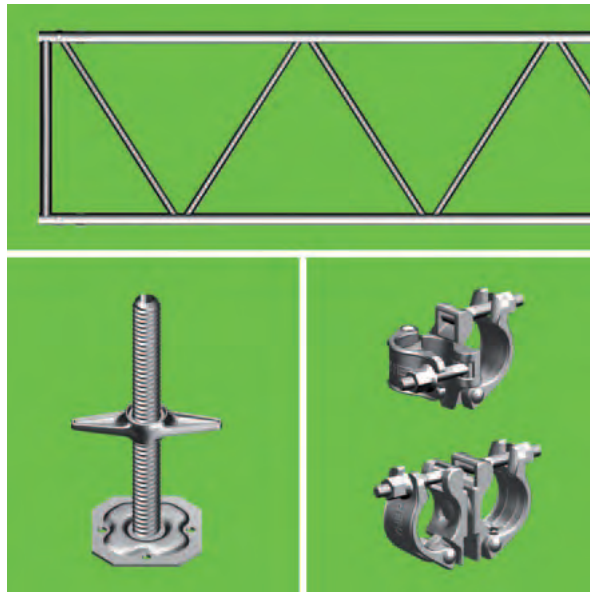
**Catalogue 2007**

Edition 01.03.07  
Ref. No. 8103.217

Quality management  
certified according to  
ISO 9001: 2000  
by German TÜV-CERT

**Scaffolding Accessories**

Versatile. Practical. Inexpensive.

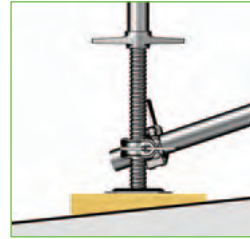


**Layher**® 

More Possibilities. The Scaffolding System.

# ► Contents

Product	Page
Base plates	4 – 5
Lattice girders, lattice girder connectors, section beams	4 – 9
Scaffolding tubes, couplers, spare parts	10 – 13
Tools	12 – 13
Anchoring	14 – 15
Testing and measuring equipment	14 – 15
Scaffolding identification	14 – 15
Suspended scaffolding	16 – 17
Standard brick guard and protection for pedestrians	16 – 17
Parts for moving towers	18 – 19
Scaffolding enclosures	20 – 23
Ladder access	22 – 23
Vertical transport	24 – 25
Scaffolding pallets	26 – 27
Bridging, scaffolding boards	28 – 31
Software for scaffolding construction	30 – 31
Fall protection	32 – 33
Edge protection clamp	32 – 33
Various accessories	34 – 35

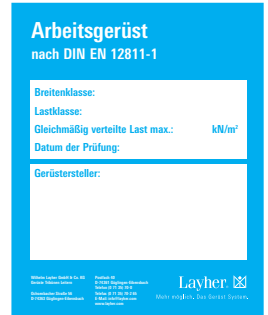


## ► Base plates

Page 4 – 5

## ► Couplers

Page 10 – 13



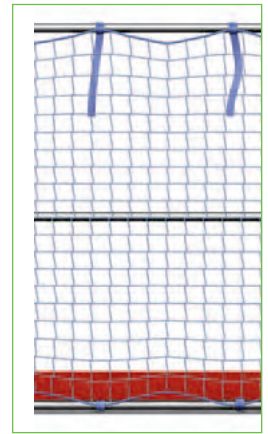
## ► Scaffolding identification

Page 14 – 15



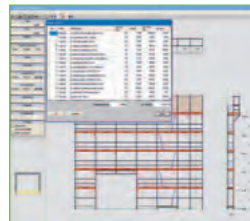
## ► Suspended scaffolding

Page 16 – 17



## ► Standard brick guard and protection for pedestrians

Page 16 – 17



## ► Software for scaffolding construction

Page 30 – 31



## ► Fall protection

Page 32 – 33



## ► Edge protection clamp

Page 32 – 33

All dimensions and weights are guideline values. Subject to technical modification.

Our deliveries shall be made exclusively in accordance with our currently valid General Terms of Sale. These include the following provisions: The place of performance is Güglingen-Eibensbach. Title to the delivered goods shall be retained until full payment has been made.

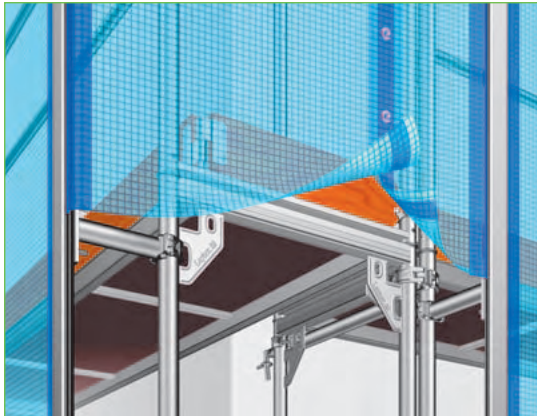
Please request the specific instructions for assembly and use when ordering. Protected by copyright. Not to be reproduced, either in whole or in part. Misprints and errors excepted.

# ► Scaffolding System Accessories

## The versatile problem solvers

Layher is well aware of the fundamental (construction) role of accessories, and offers a comprehensive range complete from a single source:

inexpensive, reliable, system-independent.



### ► Scaffolding enclosures

Page 20 – 23

### ► Anchoring

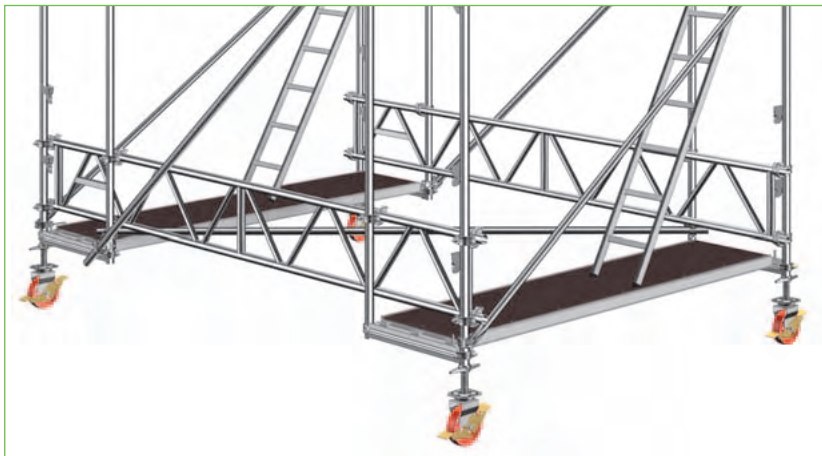
### ► Bridging

### ► Ladder access

Page 14 – 15

Page 28 – 31

Page 22 – 23



### ► Lattice girders, steel or aluminium

### ► Couplers and scaffolding tubes

### ► Parts for moving towers

Page 4 – 9

Page 10 – 13

Page 18 – 19



### ► Vertical transport

Page 24 – 25



### ► Tools

Page 12 – 13

### ► Testing, measuring equipment

Page 14 – 15

### ► Small parts

Page 34 – 35



### ► Scaffolding pallets

Page 26 – 27

## ► Base plates

To adjust to the ground, choose between the non-height-adjustable ► **Foot plate** or height-adjustable ► **Base plates** with sturdy and self-cleaning round threads, with colour and notch markings to provide protection against overwinding. Make sure that there are sufficient load-distributing surfaces.

The round threads of all Layher scaffolding spindles have an outside diameter of 38 mm and a pitch of 8.1 mm.

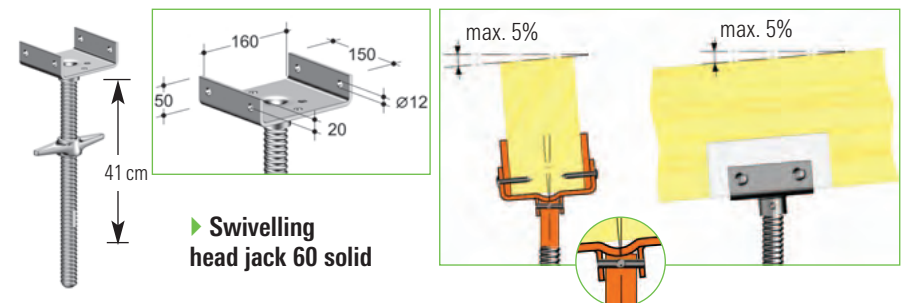
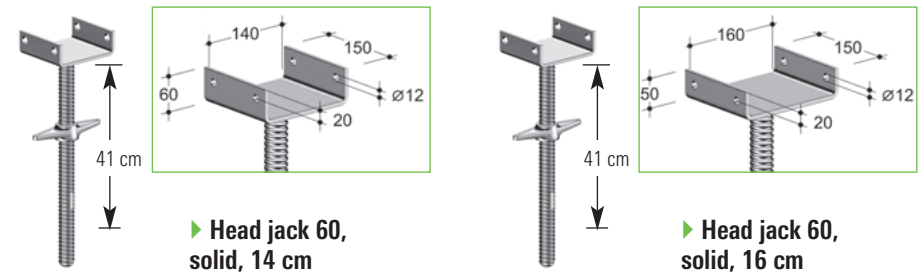
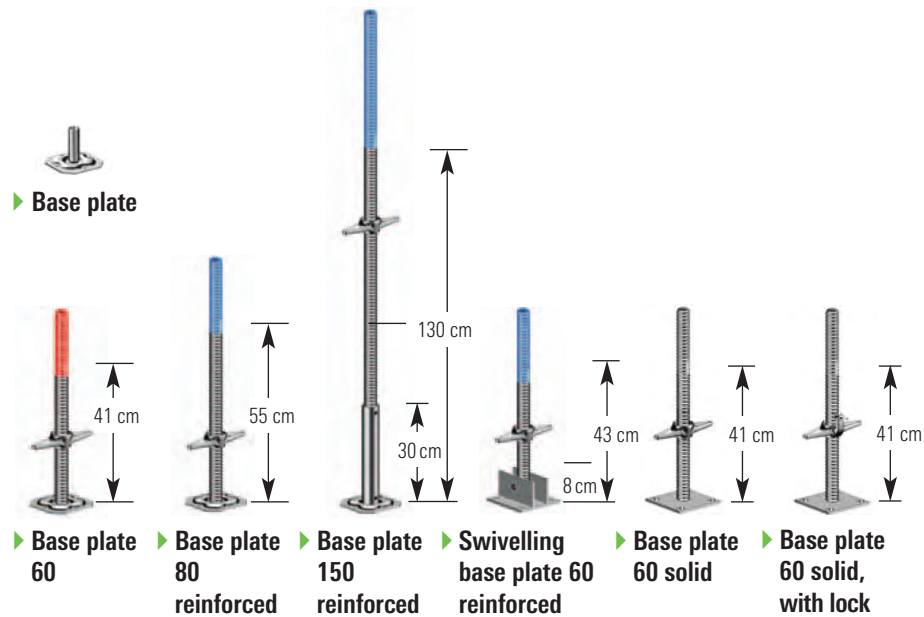
The wing external dimension of the spindle nut is 205 mm. The dimensions of the foot plate are 150 x 150 mm.

Base plate (normal)	≅ 4,5 mm wall thickness
Base plate (reinforced)	≅ 6,3 mm wall thickness
Base plate solid	≅ solid material
Base plate/head jack solid	≅ solid material

### Load capabilities of spindle cross-section as per DIN 4425 / DIN EN 12811-1

Spindle type	Npl,d [kN]	Mpl,d [kNm]	Vpl,d [kN]
normal	97.7	83.0	36.0
reinforced	119.9	94.5	44.1
solid	288.0	157.0	106.0

The ► **Swivelling head jack** can be used to install supports (e.g. wood sections) with an inclination of up to max. 5% to the horizontal in the longitudinal and transverse directions, thus eliminating the need to level with a wedge. Greater loads can be supported thanks to the articulated mounting of the top plate and the resulting centric introduction of vertical forces into the spindles.



## ► Lattice girders, lattice girder connectors

Lattice girders of steel and aluminium are used to provide:

- Bridging
- Projections and strengthening
- Roof structures and enclosures
- Surface scaffolding

The top and bottom chords and the vertical filler bars have an external diameter of 48.3 mm and are suitably designed for the connection of scaffolding couplers.



► **Steel lattice girder 450**, 45 cm high  
Ref. Nos. **4922.300–4922.600** with **type testing**.

Type-tested means for you:

- Permissible spans ranging from 3 m to 12 m,
- Different types of support and loads,
- All values in table form, hence no need for structural strength verification for the lattice girder,
- Calculation reliability.

The loading and application tables can be found in our publication "Type testing steel lattice girder 450".