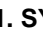

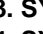
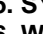

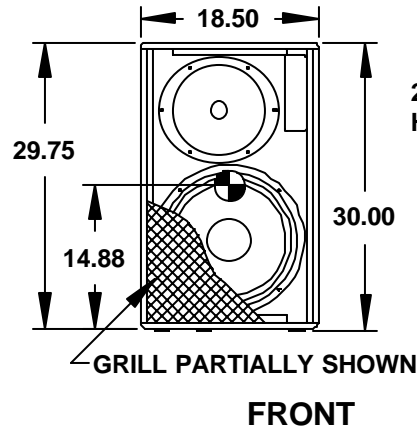
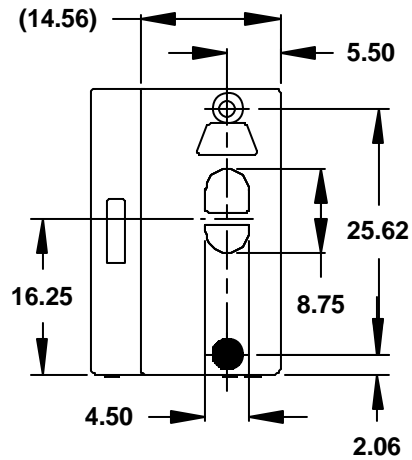
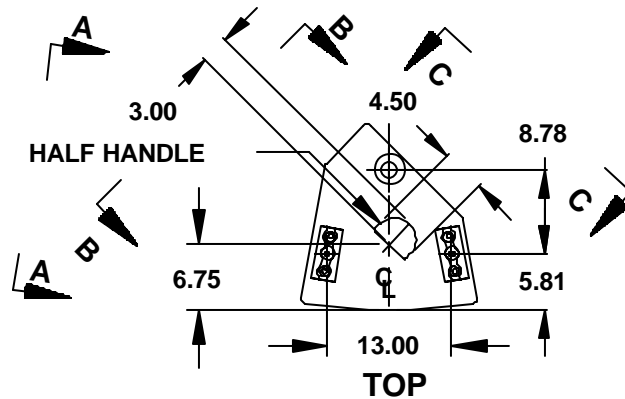


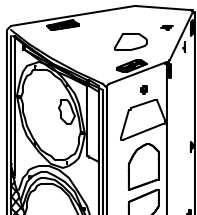
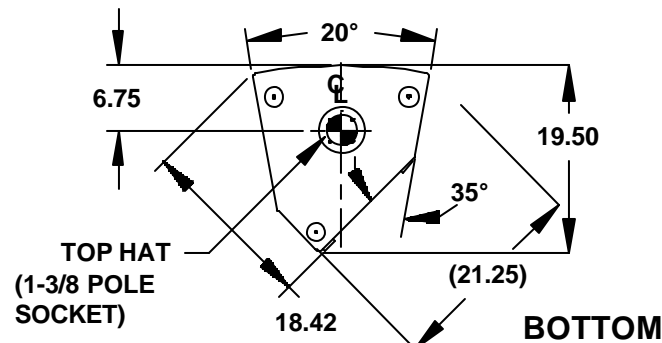
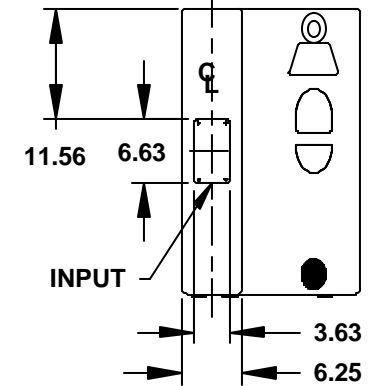
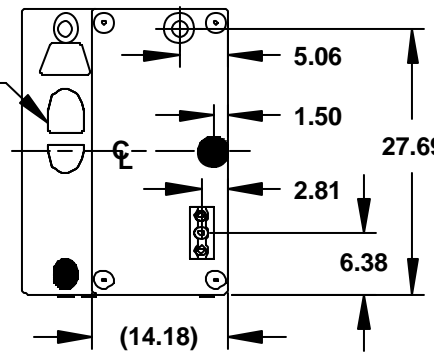
REV	DESCRIPTION	APVD/DATE
5	UPDATED FORMAT PER ECO #3955 JRM 8/18/99	KFH 8/24/99
F	ORACLE REVISION CONVERSION DRAWING WAS REVISION 5 UPDATED PER ECO#5151 JH 6/04/01	SS 6/11/01

NOTES:

1. SYMBOL  INDICATES MOUNTING POINT, 3/8"-16 THREADED HOLE (PI ANGLE).
2. SYMBOL  INDICATES MOUNTING POINT, 3/8"-16 THREADED HOLE (NUT PLATE).
3. SYMBOL  INDICATES RUBBER FOOT
4. SYMBOL  INDICATES 3.00 X 1.35 FLY TRACK.
5. SYMBOL  INDICATES CENTER OF BALANCE.
6. WEIGHT APPROX. 79LBS, SHIPPING WT. APPROX. 89LBS



2X
HANDLE



DOCUMENT CONTROL PER SPECIFICATION 4.5.201

THIRD ANGLE PROJECTION	UNLESS OTHERWISE SPECIFIED: ALL DIMENSIONS ARE IN INCHES	STATUS: PRODUCTION	FEAW EASTERN ACOUSTICWORKS DNF MAIN STREET
------------------------	---	---------------------------	--