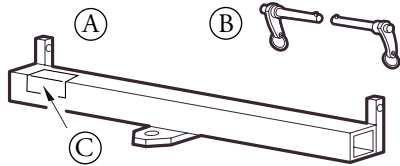




Instructions/Installation KF730 Pull-Bar Kit

Warning: Installation should only be done by an experienced technician. Improper installation may result in damage to the equipment, injury or death.

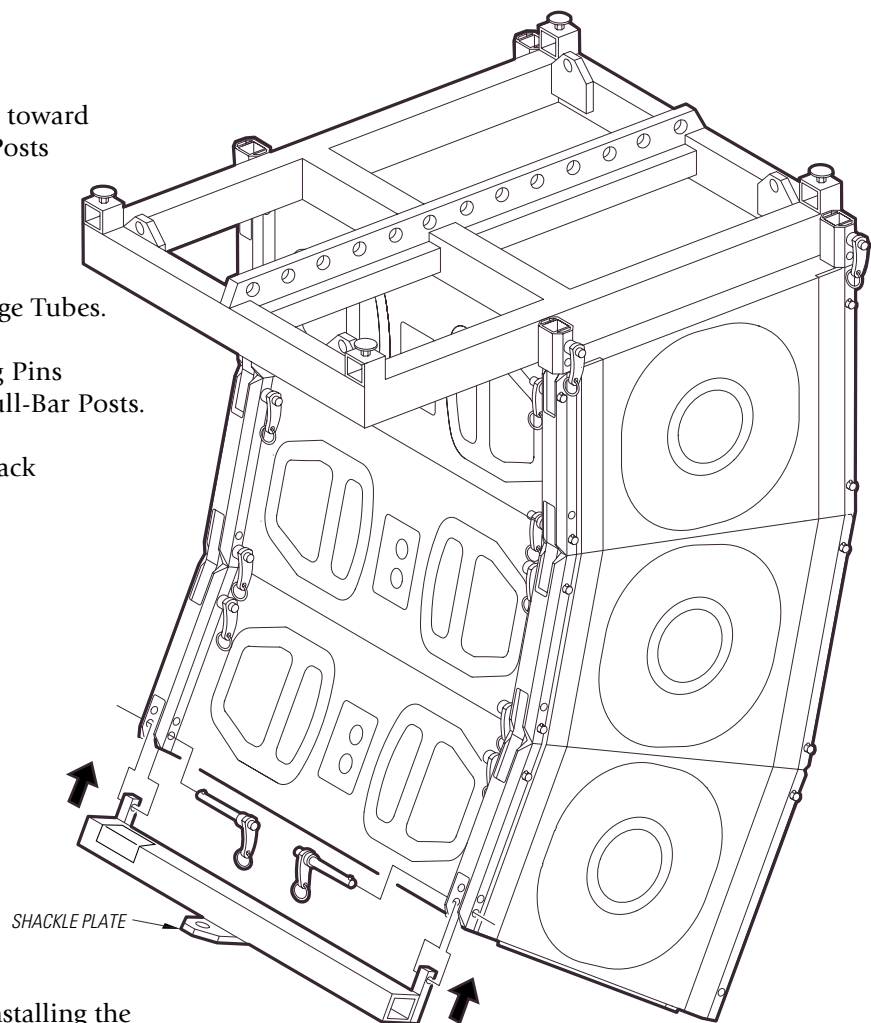


KF730 Pull-Bar Kit is made up of the following components:

<u>Item</u>	<u>EAW P/N</u>	<u>Qty</u>	<u>Description</u>
A	0008090	1	KF730 Pull-Bar Assembly
B	0006122	2	Ø 3/8 x 1.5 Lg. Connecting Pin
C	0008091	1	Warning Label/Pull-Bar/KF730
D	0008092	1	Instructions KF730 Pull-Bar (this sheet)

Installing the Pull-Bar

1. With the Pull-Bar Shackle Plate toward the back, insert the two Pull-Bar Posts into the bottom enclosure's Rear Hinge Tubes.
2. Align the holes in the Pull-Bar Posts to the thru holes in the Hinge Tubes.
3. Fully insert the two Connecting Pins through both Hinge Tubes and Pull-Bar Posts.
4. Attach the user-supplied pull-back rigging to the Shackle Plate.



If you have any questions about installing the KF730 Pull-Bar, please contact the EAW Application Support Group for assistance:

EAW ASG
One Main Street
Whitinsville, MA 01588 USA

Tel 800-992-5013 (USA only)
Tel 508-234-6158
Fax 508-234-3776
E-mail asg@eaw.com

**Thank you for purchasing
EAW products**

The Laws of Physics | The Art of Listening

