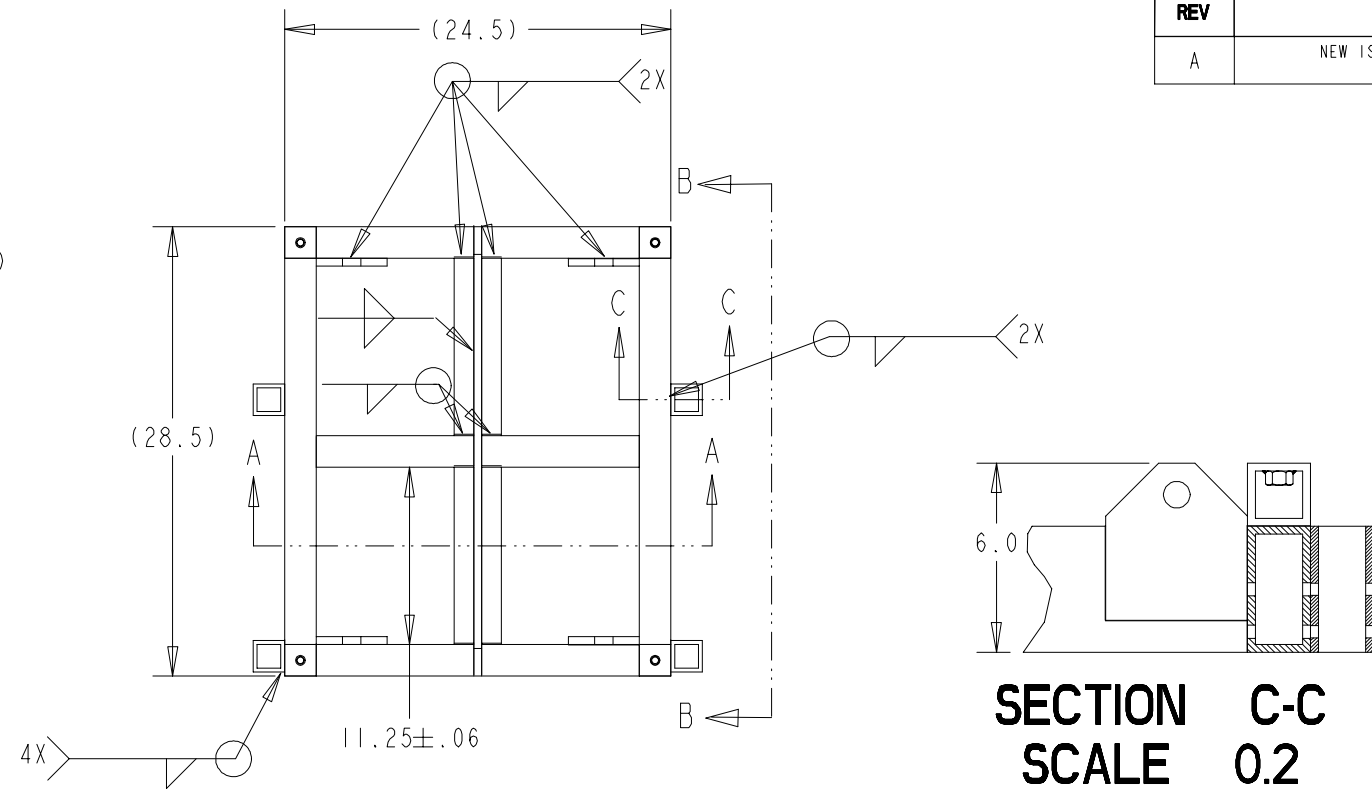


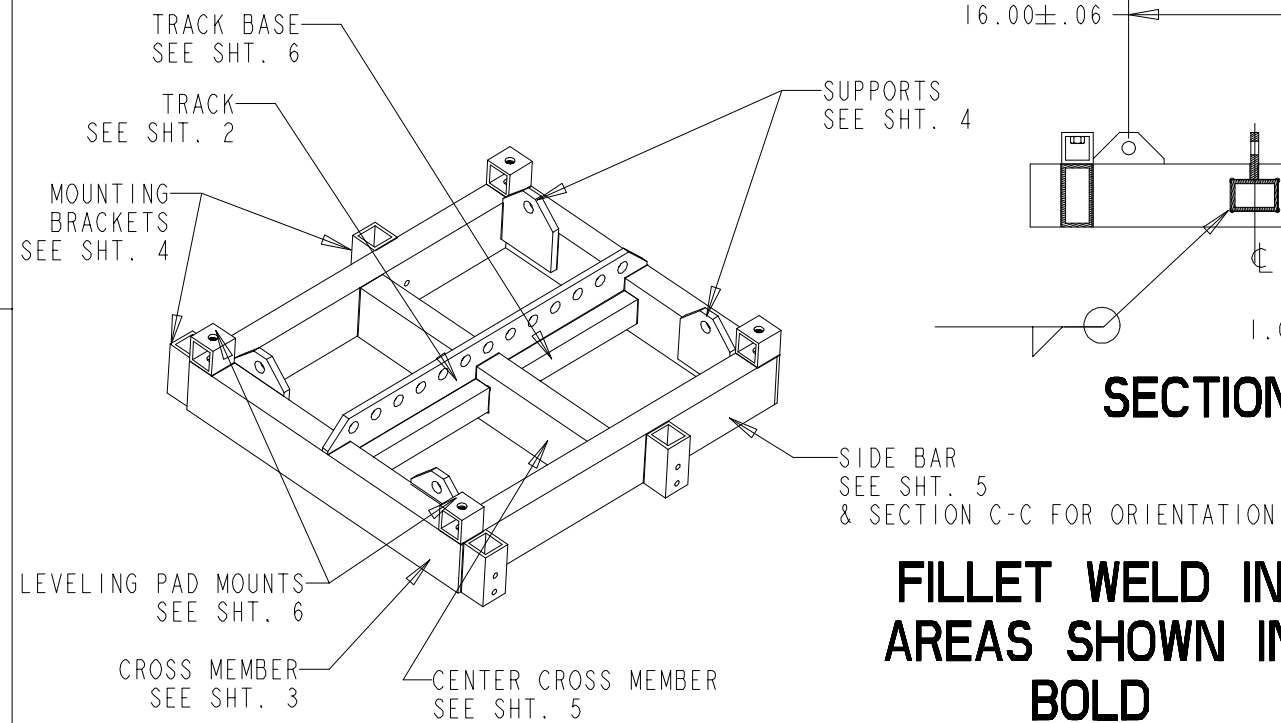
NOTES:

1. MATERIAL: SEE EACH SHEET
2. FINISH: DUPONT EFB-504-SO RAVEN BLACK. OR SHERWIN WILLIAMS POWDURA EPOXY POWDER OR MORTON 10-7068 VISTA BLACK 4X LEVELING PAD MOUNT SCREW THREAD TO BE FREE OF FINISH.
3. CERTIFICATION OF MATERIALS ARE REQUIRED WITH EACH SHIPMENT.
4. ALL LONG TUBES TO BE WELDED 90° TO EACH OTHER.
5. REMOVE BURRS AND SHARP EDGES.
6. PARTS TO BE CLEANED AND FREE OF GREASE AND DEBRIS.
7. REFER TO EAW MATERIAL SPECIFICATION 480455 FOR LABELING AND SHIPPING REQUIREMENTS.

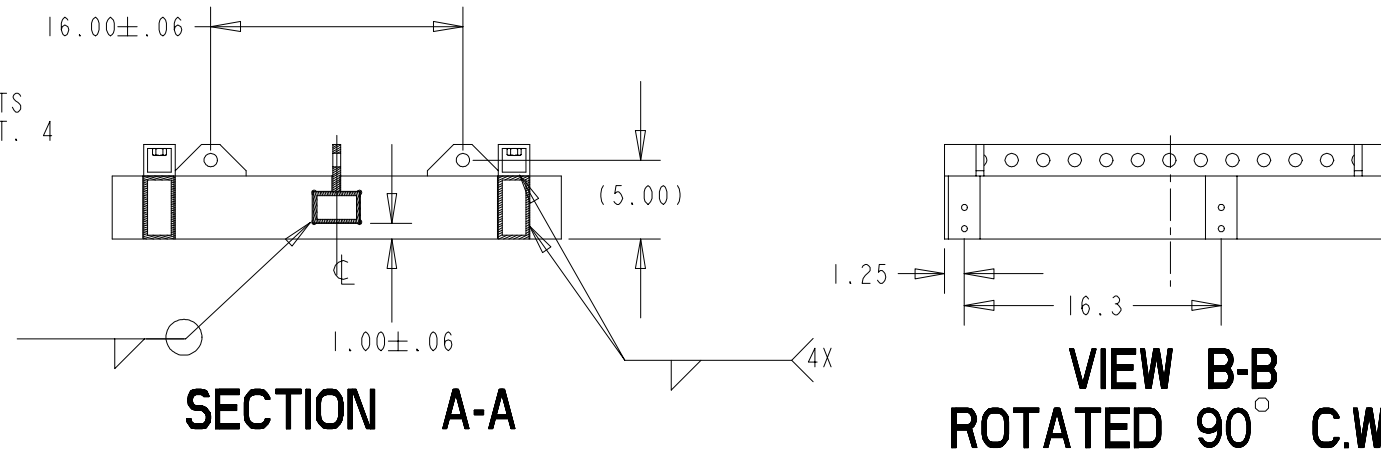
| REV | DESCRIPTION | APVD/DATE |
|-----|--|----------------------------|
| A | NEW ISSUE PER DSRWHT3458 JAB 5-1-03 | KFH 5-13-03 TSD 5-13-03 |



SECTION C-C
SCALE 0.2
(HEAVY LINES INDICATE WELD)



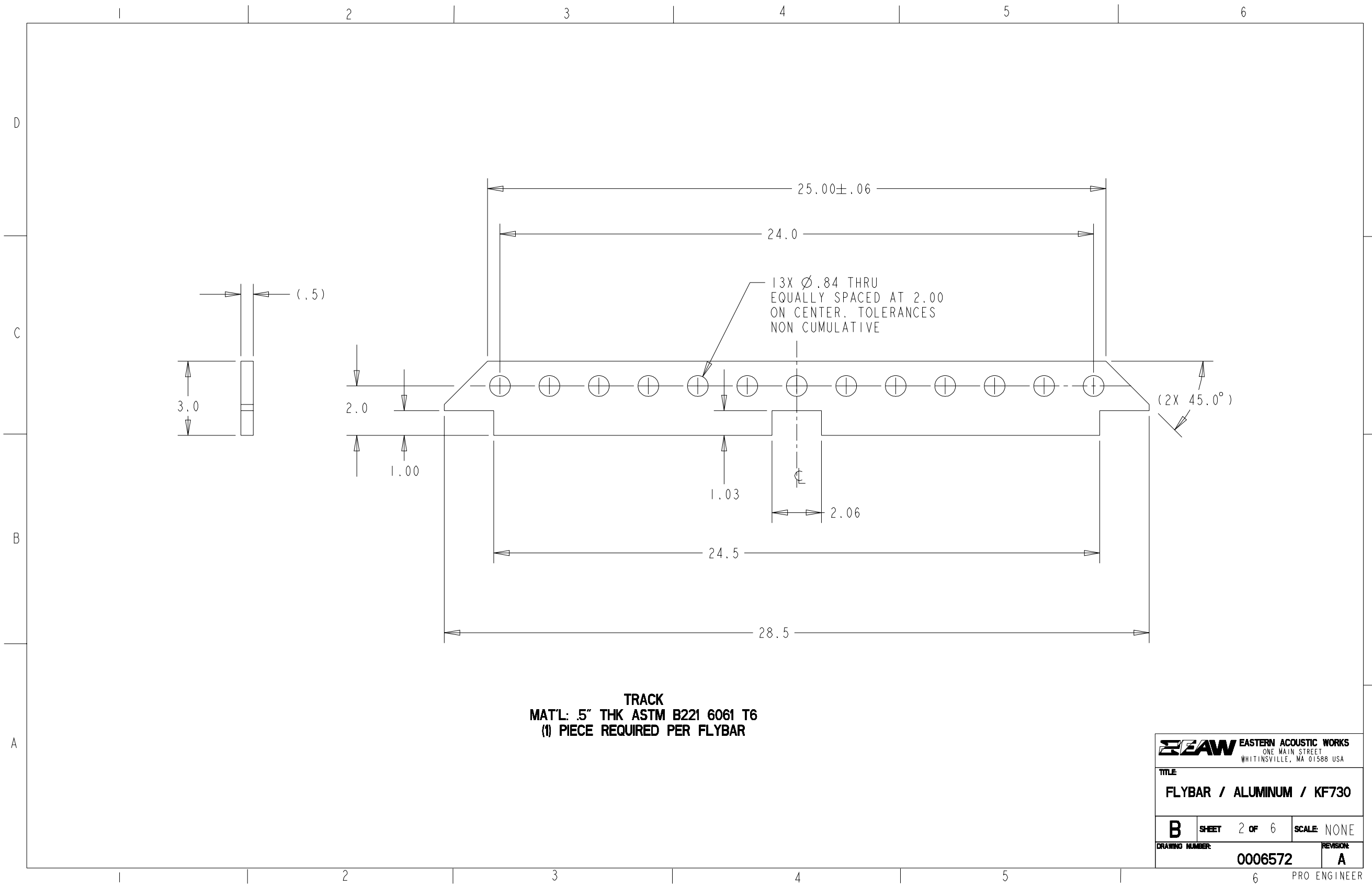
FILLET WELD IN AREAS SHOWN IN BOLD

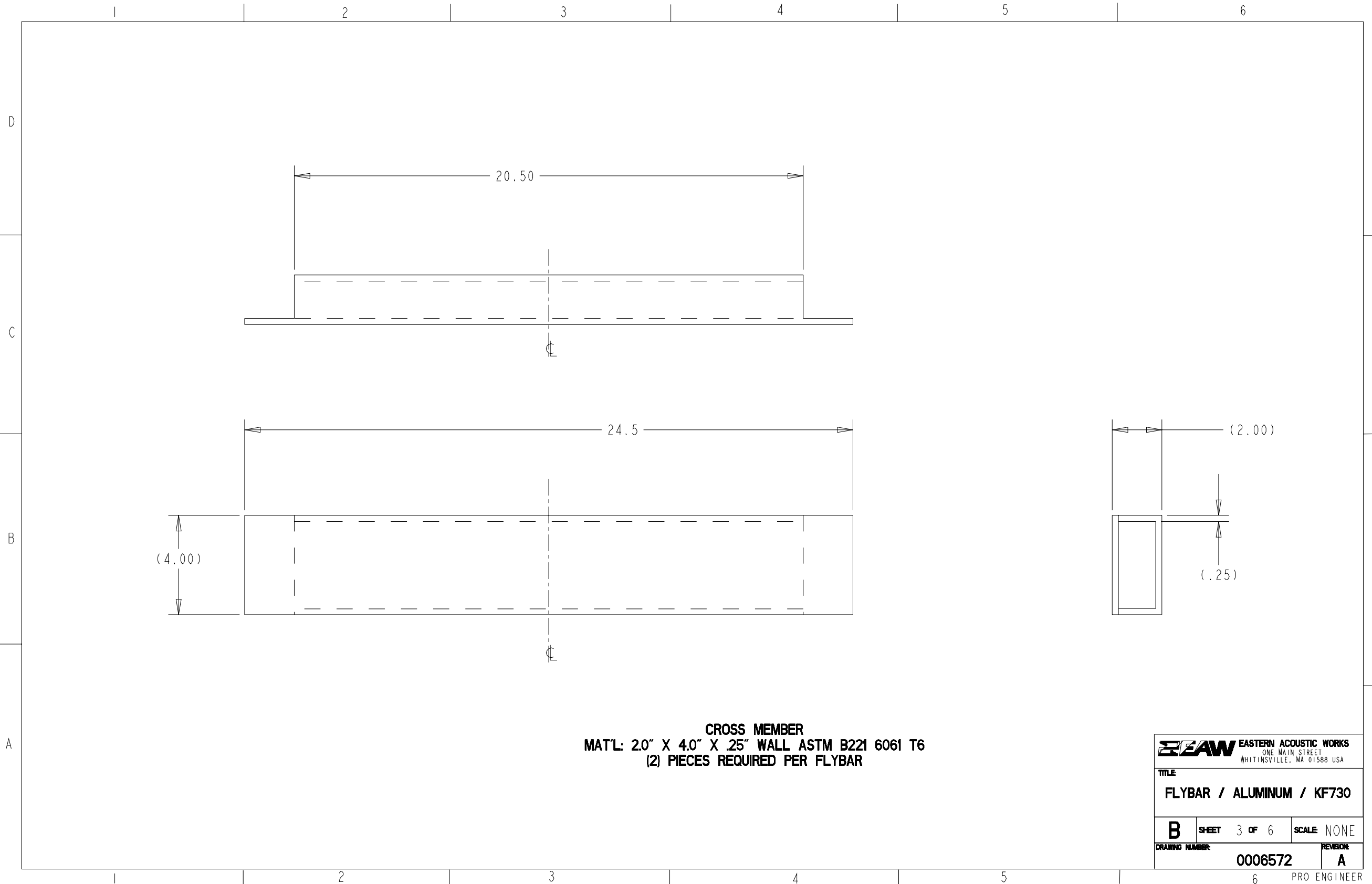


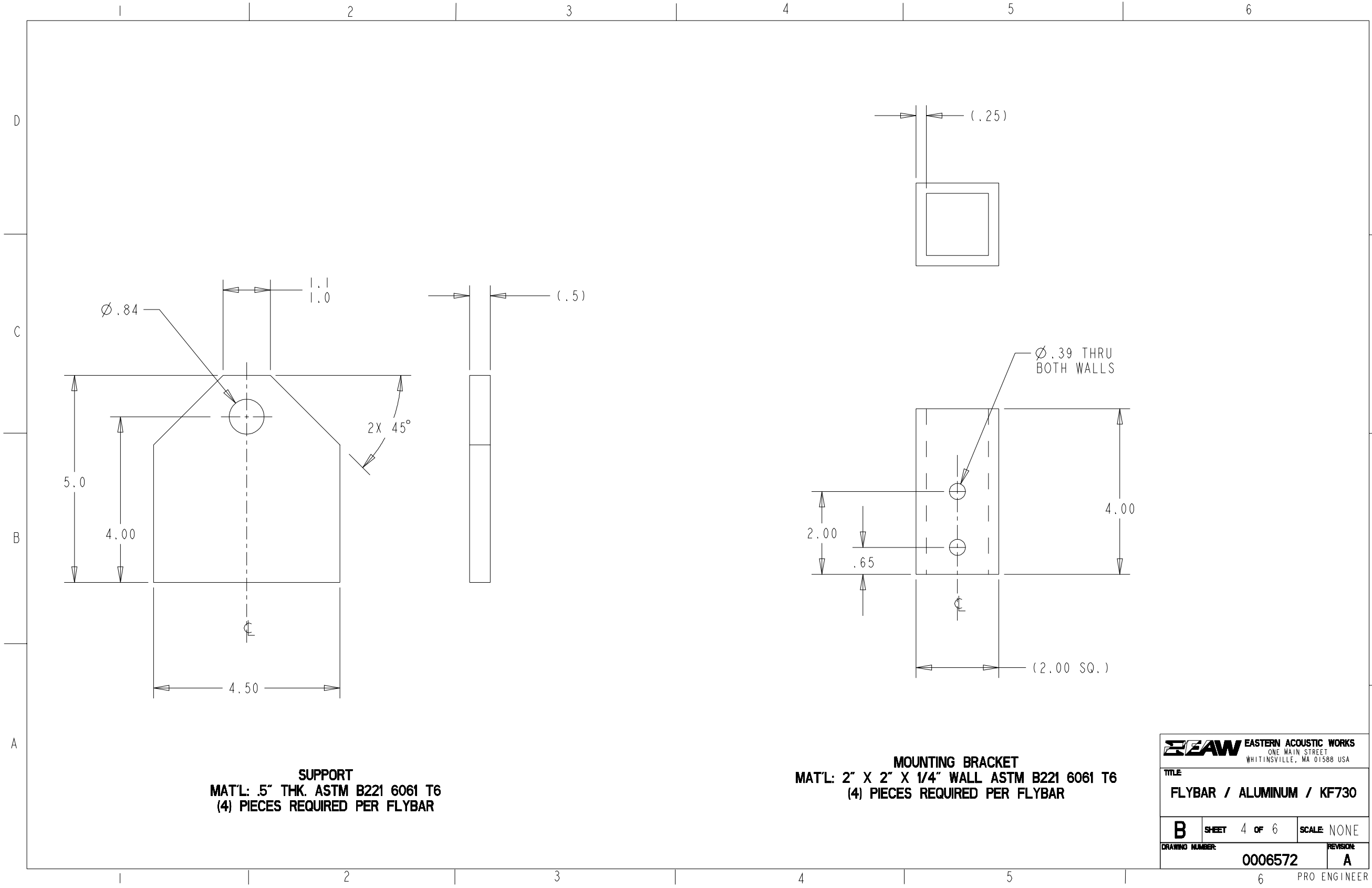
VIEW B-B
ROTATED 90° C.W.

DOCUMENT CONTROL PER SPECIFICATION 4.5.201

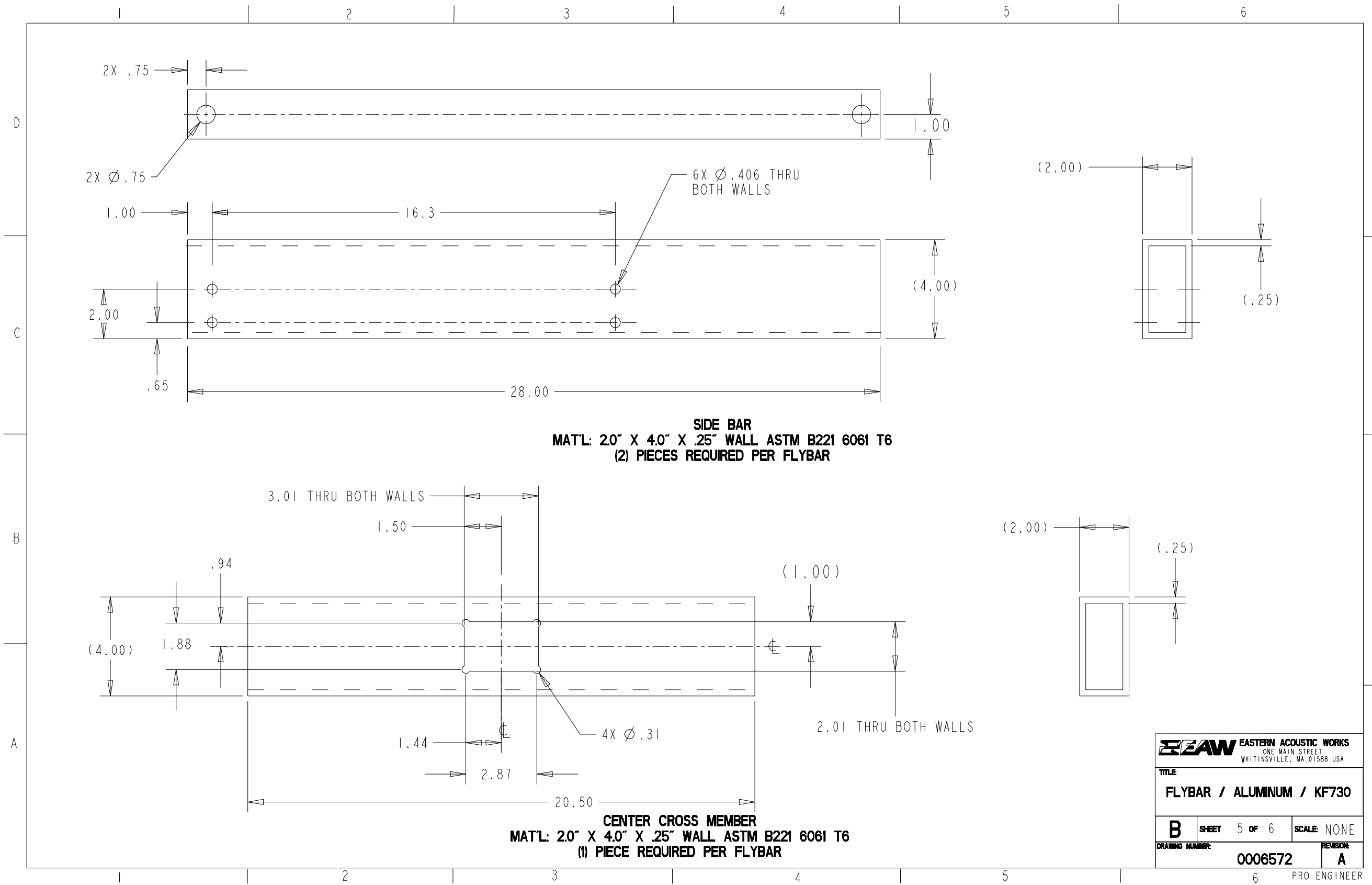
| | | | | | |
|---|--|----------------------------------|---|---|---|
| <p>THIRD ANGLE PROJECTION</p> | <p>UNLESS OTHERWISE SPECIFIED: ALL DIMENSIONS ARE IN MILLIMETERS</p> | <p>STATUS: PRODUCTION</p> | <p>EAW EASTERN ACOUSTIC WORKS ONE MAIN STREET WHITINSVILLE, MA 01588 USA</p> | | |
| | <p>TOLERANCE IN MILLIMETERS X ± .03 XX ± .01 XXX ± .005 FRACTIONS ± 1/32 ANGLES ± 1/2°</p> | <p>APPROVALS</p> | <p>DATE</p> | <p>TITLE FLYBAR / ALUMINUM / KF730</p> | |
| <p>THIS DRAWING IS THE PROPERTY OF EAW AND SHALL NOT BE COPIED, REPRODUCED OR USED AS THE BASIS FOR MANUFACTURE OR SALE OF APPARATUS WITHOUT WRITTEN AUTHORIZATION. DO NOT SCALE DRAWING.</p> | <p>XXXX : REF DIMS NO TOLERANCE IMPLIED</p> | <p>DRAWN: J. BRADLEY</p> | <p>5-1-03</p> | <p>REVISION B</p> | <p>SHEET 1 OF 6</p> |
| | <p>T.S.C. : THEORETICAL SHARP CORNER</p> | <p>CHECKED: K.F.H.</p> | <p>5-5-03</p> | <p>SCALE: NONE</p> | <p>DRAWING NUMBER: 0006572</p> |
| | <p>DIMENSIONS ACROSS CENTERLINES TO BE SYMMETRICAL.</p> | <p>DES. ENG. T.S.D.</p> | <p>5-7-03</p> | <p>REVISION A</p> | <p>PRO ENGINEER</p> |
| | | <p>MFG. ENG. M.D.</p> | <p>5-13-03</p> | | |







| | | |
|--|--------------|----------------|
| EAW EASTERN ACOUSTIC WORKS ONE MAIN STREET WHITINSVILLE, MA 01588 USA | | |
| TITLE FLYBAR / ALUMINUM / KF730 | | |
| B | SHEET 4 OF 6 | SCALE NONE |
| DRAWING NUMBER: 0006572 | | REVISION: A |
| | | 6 PRO ENGINEER |



| | | |
|--|-----------------------|------------|
| EAW EASTERN ACOUSTIC WORKS ONE MAIN STREET WHITINSVILLE, MA 01588 USA | | |
| TITLE FLYBAR / ALUMINUM / KF730 | | |
| B | SHEET 5 OF 6 | SCALE NONE |
| DRAWING NUMBER: 0006572 | REVISION: A | |

PRO ENGINEER

