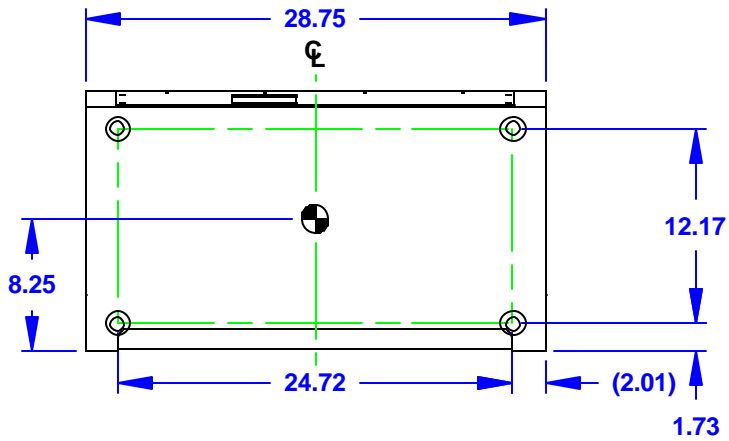


REV	DESCRIPTION	APVD/DATE
A	RELEASED TO PRODUCTION FROM PROTOTYPE REV 2 PER MCQWHT1366 DM/1B/04	RS 2/18/04

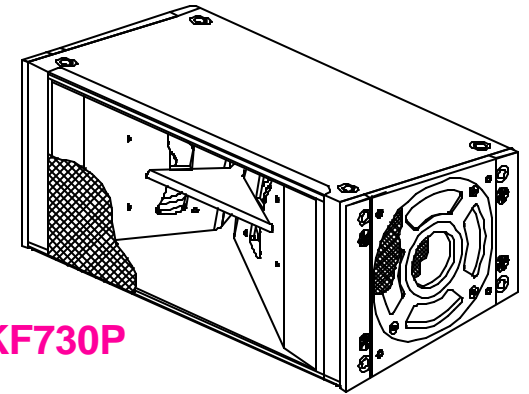


**VIEW A-A**

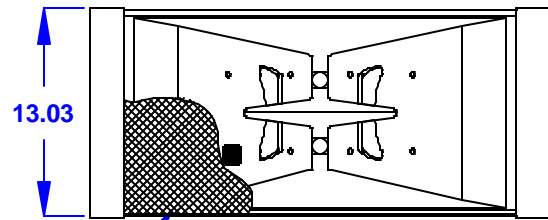
DIMENSIONS APPLY TO TOP AND BOTTOM

**NOTES:**

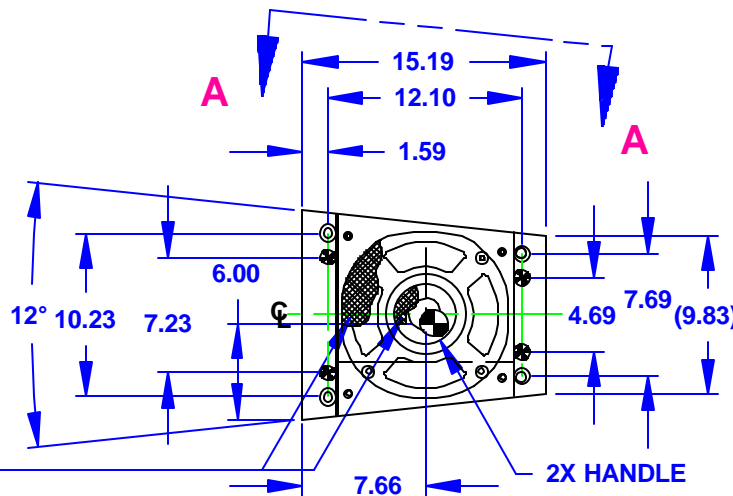
1. SYMBOL  $\odot$  INDICATES MOUNTING POINT, 3/8-16 THREADED HOLE (PI ANGLE).
2. SYMBOL  $\oplus$  INDICATES MOUNTING POINT, 3/8-16 THREADED HOLE (STRAPPING).
3. SYMBOL  $\ominus$  INDICATES CENTER OF BALANCE.
4. WEIGHT APPROX. 78 LB.
5. SHIPPING WEIGHT APPROX. 86 LB.



**KF730P**

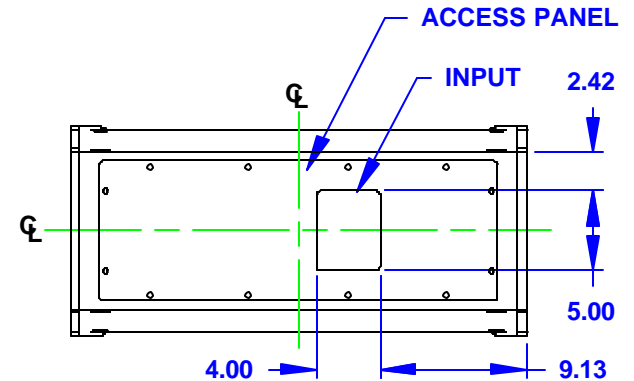


**FRONT**



**RIGHT SIDE**

DIMENSIONS APPLY TO BOTH SIDES



**BACK**

DOCUMENT CONTROL PER SPECIFICATION 4.5.201

<p>THIRD ANGLE PROJECTION</p>	<p>UNLESS OTHERWISE SPECIFIED: ALL DIMENSIONS ARE IN INCHES</p> <p>TOLERANCE IN INCHES .XX ± .13 ANGLES ±1°</p> <p>(X.XX) = REF DIMS NO TOLERANCE IMPLIED</p> <p>T.S.C.=THEORETICAL SHARP CORNER</p> <p>DIMENSIONS ACROSS CENTERLINES TO BE SYMMETRICAL</p>	<p>STATUS: <b>PRODUCTION</b></p>		<p><b>EA</b> EASTERN ACOUSTIC WORKS ONE MAIN STREET WHITINSVILLE, MA 01568 USA</p>
		<p>APPROVALS</p> <p>DATE</p>	<p>DATE</p>	
<p>THIS DRAWING IS THE PROPERTY OF EAW AND SHALL NOT BE COPIED, REPRODUCED, OR USED AS THE BASIS FOR MANUFACTURE OR SALE OF APPARATUS WITHOUT WRITTEN AUTHORIZATION. DO NOT SCALE DRAWING.</p>	<p>DRAWN: DM</p> <p>CHECKED: RS</p> <p>DES ENG: NB</p> <p>MFG ENG: DBD</p>	<p>6/24/03</p>	<p>2/18/04</p>	<p>A SHEET 1 OF 1</p>
		<p>2/18/04</p>	<p>2/18/04</p>	<p>SCALE: 1 TO 12</p>
		<p>2/23/04</p>	<p>DRAWING NUMBER: 0007665</p>	<p>REVISION: A</p>