



Instructions/Installation KF730P /SB730P Fly-Bar & Splay Brackets

Warning: Suspending loudspeakers should be done with extreme caution and by a certified professional who is qualified to determine the requirements for and to implement overhead rigging. Failure to follow proper precautions may result in damage to the equipment, injury, or death.

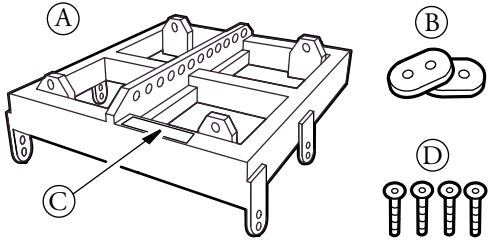


Figure 1 Fly-Bar Assembly

KF730P Fly-Bar Assembly is made up of the following components:

Item	EAW P/N	Qty	Description
A	0007768	1	KF730P Fly-Bar Assembly
B	0009765	2	Plate, Spacer, Rigging, KF730P
C	0008201	1	Label, Warning, Fly-Bar, KF730P
D	102205	4	Ø 3/8 -16 x 2-1/4 Lg. Flat Head Screw
E	0008202	1	Instructions KF730P Fly-Bar (this sheet)

1. Description:

730P Series arrays are intended to be suspended or ground stacked. These instructions detail how to physically configure suspended KF730P, KF730P-WP, SB730P or SB730P-WP Series array.

2. Installing the Spacer Plates for Non-WP Enclosures

NOTE: Because the Fly-Bar is sized for the slightly wider KF730P-WP enclosure, there will be slight gaps between the Fly-Bar posts and the sides of the narrower KF730P enclosure. Therefore Spacer Plates are attached to the inside of the 4 KF730P Fly-Bar posts.

- A. Remove the protective backer from the 4 Spacer Plates.

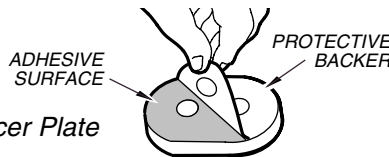


Figure 2 Spacer Plate

- B. Attach an adhesive backed plate to the inside of each Fly-Bar post. **WARNING:** before attaching the Spacer Plates, align their 2 holes with those in the Fly-Bar post. It will be difficult to adjust them after bonding.

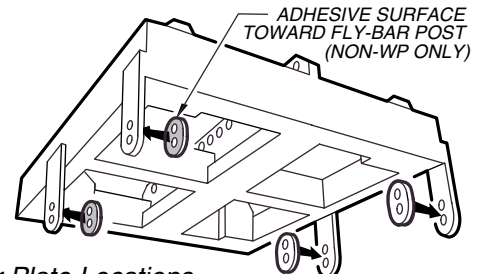


Figure 3 Spacer Plate Locations

3. Suspending the Fly-Bar

The KF730P/KF730P-WP/SB730P/SB730P-WP, and Fly-Bar rigging has a WLL (Working Load Limit) for suspending a maximum of 18 KF730Ps/KF730P-WPs or a maximum of 12 SB730Ps/SB730P-WPs. Maximum underhang of KF730P/SB730P or KF730P-WP/SB730P-WP combinations not to exceed 1500 lb. The design factor for these ratings is 8:1.

Center Holes:

- Use one for single point attachment, the particular hole being dictated by the KF730 Wizard to result in the correct array tilt angle.
- Use one rear and one front hole for bridling to a single point.
- Use one rear and one front hole to attach two chain motors.

Corner Hoisting Points:

- Use in pairs, side to side, to bridle to single front and rear points for attaching two chain motors.

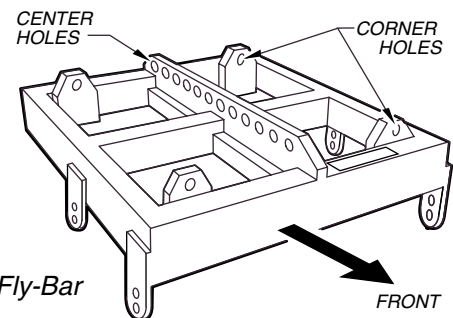


Figure 4 Fly-Bar

4. Mounting Screws

Each KF730P, KF730P-WP and SB730P, SB730P-WP enclosure is shipped with 16 3/8-16 x 1-1/4 Lg flat head screws installed in mounting points on each side of the enclosure. Also shipped with these enclosures are Splay Brackets and the replacement 3/8-16 x 2-1/4 Lg flat head screws to install them. Use these screws for attaching an enclosure to the Fly-Bar and for attaching enclosure to enclosure with the Splay Brackets. Remove and use ONLY the screws required as shown in Figure 5, Figure 6, and Figure 7 through Figure 14. Leave all other screws in place and ensure they are firmly tightened.

5. Suspending Enclosures from the Fly-Bar

Attach an SB730P directly to the Fly-Bar as shown in Figure 5. Attach a KF730P directly to the Fly-Bar as shown in Figure 6. The respective 0° and 6° splay angles shown MUST be used.

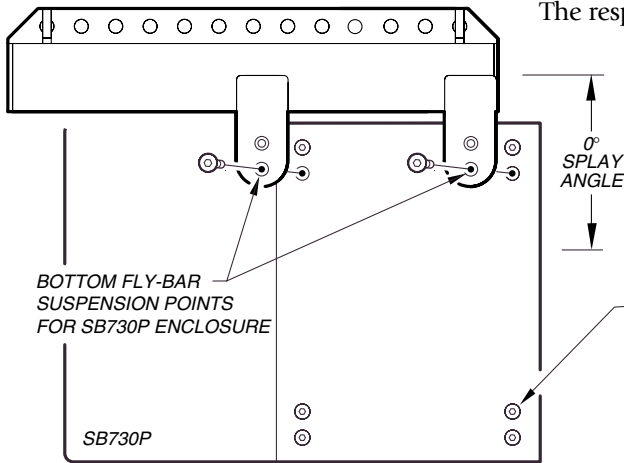


Figure 5 SB730P Suspended From Fly-Bar

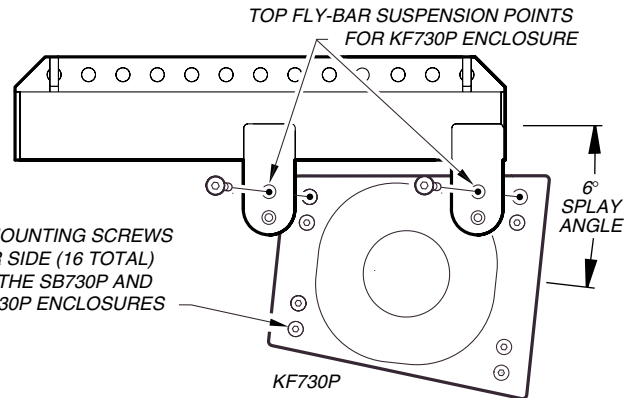


Figure 6 KF730P Suspended From Fly-Bar

6. Suspending Enclosures from other Enclosures

Splay Angle

The splay angle between enclosures in an array (meaning the angle between the aiming axis) is dictated by the KF730 Wizard. The angle is set by the Splay Brackets. There are 3 different Splay Brackets used for this purpose as shown in Figure 7.

Figure 8 through Figure 14 show the possible splay angles with a left and right view of the enclosures. The Figures illustrate the orientation of the Splay Brackets, Splay Bracket holes to use, and enclosure mounting holes to use for each splay angle.

The splay angle between two SB730s is always 0°. The splay angle between an SB730P and KF730P can be 0° and 6°. The splay angles between two KF730Ps can be 1.5°, 3°, 6°, 12°, and 18°.

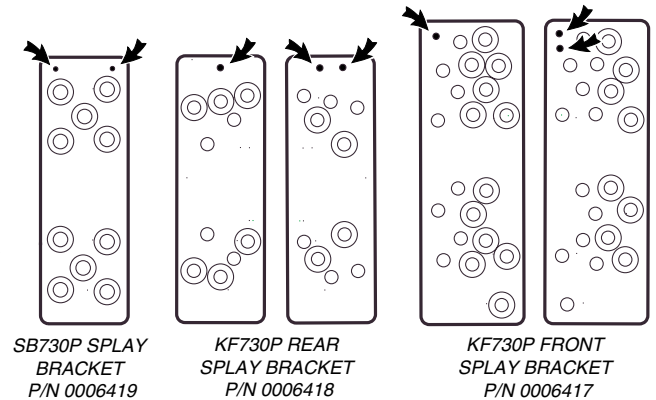


Figure 7 The Three Splay Brackets (Arrows show orientation dimples)

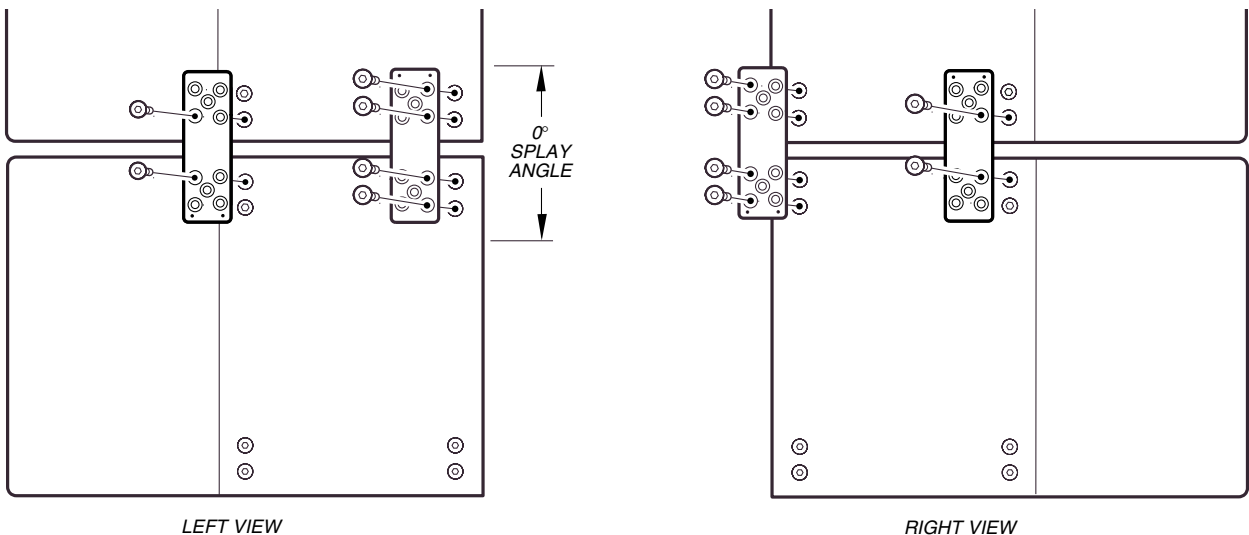


Figure 8 SB730P Enclosure to SB730P Enclosure

Splay Bracket Orientation

The orientation of each Splay Bracket varies with the splay angle. Each bracket has dimples on one of its ends to identify its up down orientation. For the KF730P Splay Brackets the dimples also show which side to use. The dimples are shown by the arrows in Figure 7.

Use the location of the dimples in the left and right views in Figure 8 through Figure 14 to properly orient the Splay Brackets. Note that the orientation for left and right side of the enclosures is always different.

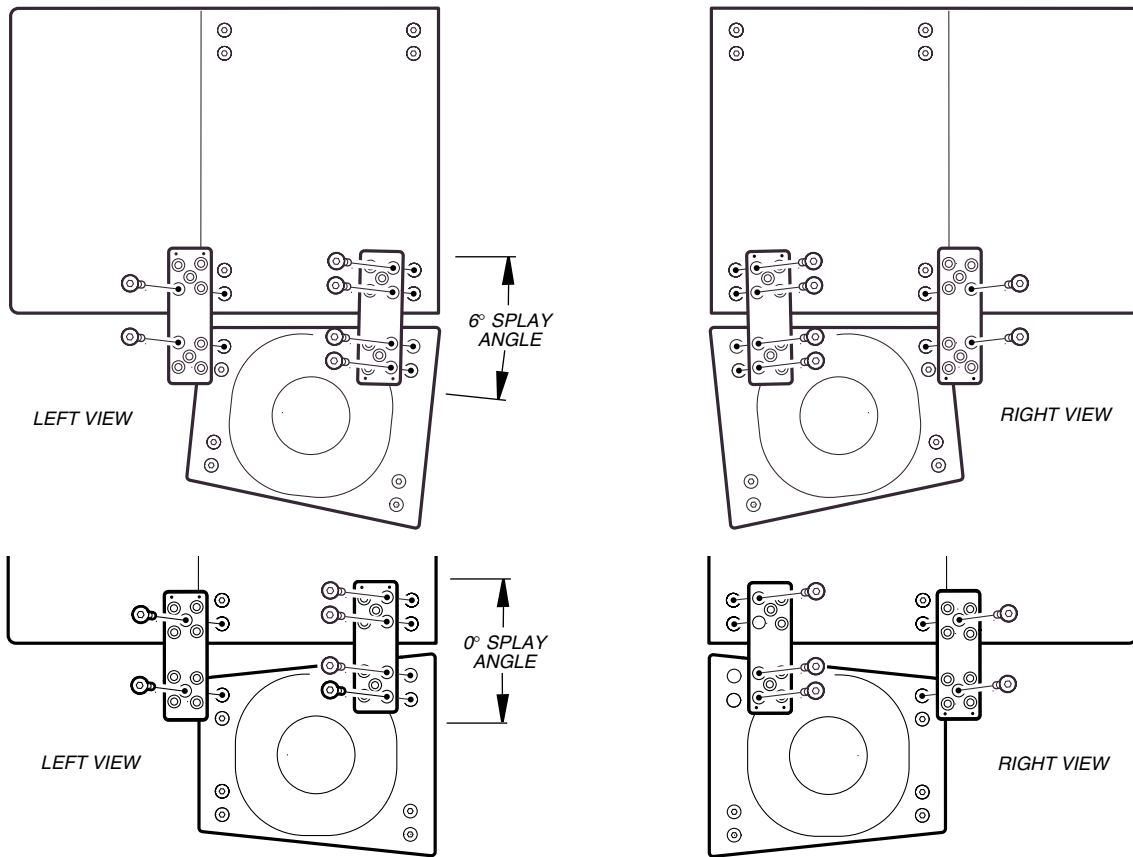


Figure 9 SB730P Enclosure to KF730P Enclosure

Splay Bracket Holes

Each Splay Bracket has a number of countersunk holes. The particular holes used determine the splay angles between the enclosures. Carefully examine the appropriate Figure to determine the correct holes to use for attachment to the enclosures.

Each front Splay Bracket is attached with 4 of the 3-8/16 x 2-1/4 lg screws, 2 for each enclosure. Each rear Splay Bracket is attached with 2 of the 3-8/16 x 2-1/4 lg screws, 1 for each enclosure.

WARNING: Using the incorrect Splay Bracket holes or the incorrect enclosure mounting points will compromise the structural integrity of the attachment. This can result in equipment damage, injury or death. In addition, the acoustical performance can be compromised.

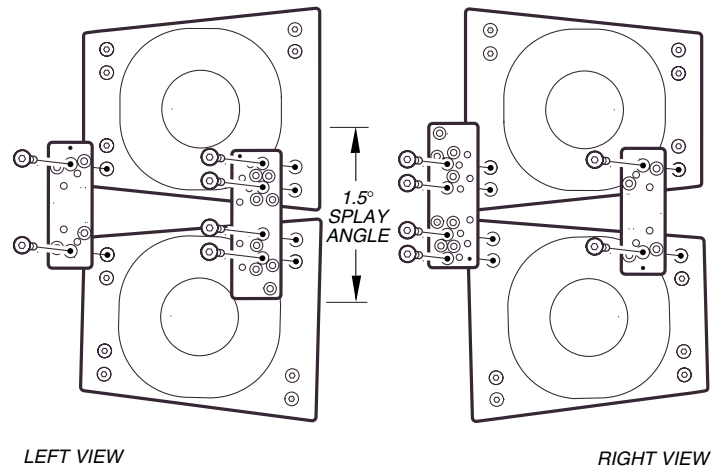


Figure 10 Splay Angle 1.5° Between KF730P Enclosures

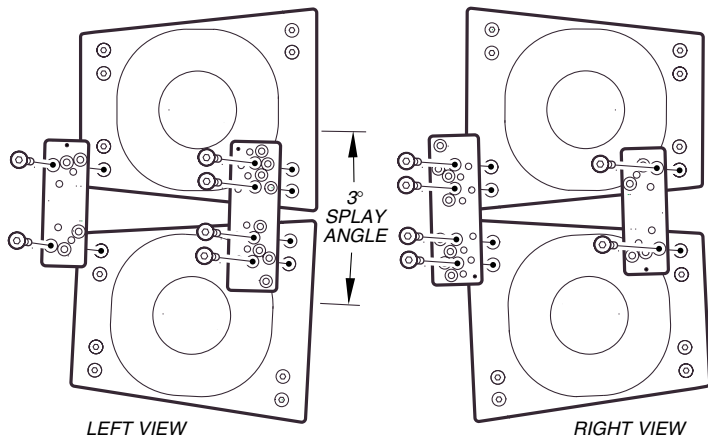


Figure 11 Splay Angle 3° Between KF730P Enclosures

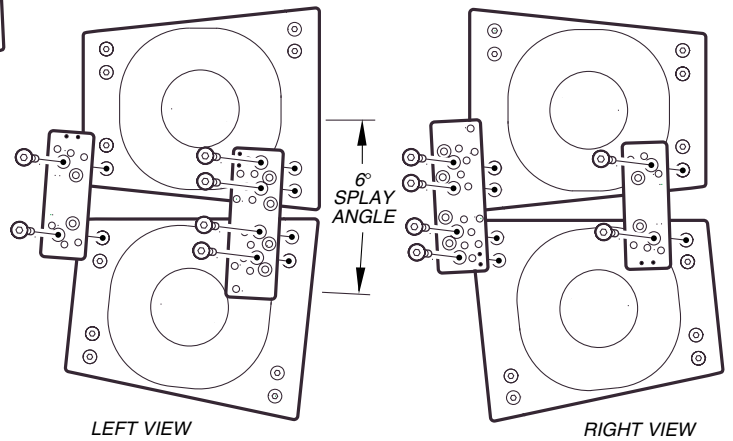


Figure 12 Splay Angle 6° Between KF730P Enclosures

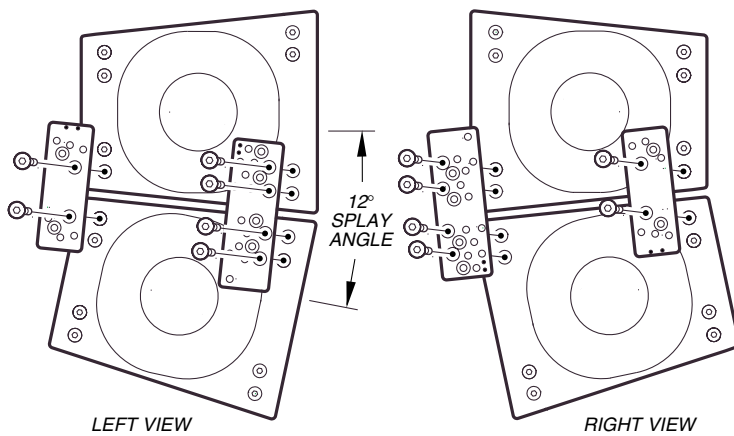


Figure 13 Splay Angle 12° Between KF730P Enclosures

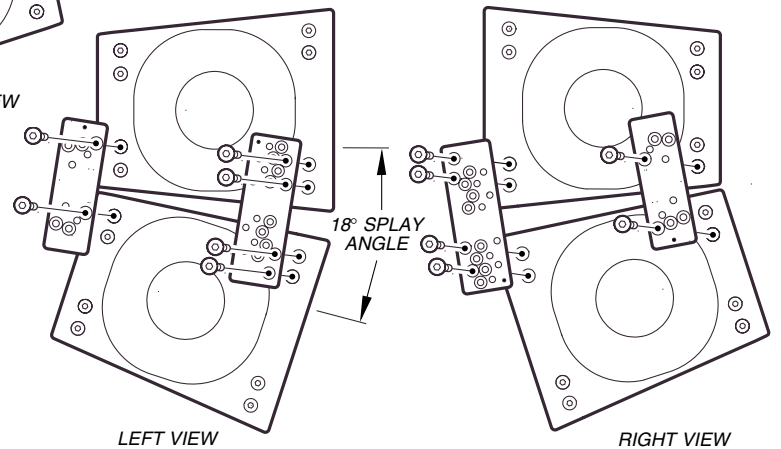


Figure 14 Splay Angle 18° Between KF730P Enclosures

If you have any questions about suspending the KF730P Fly-Bar, KF730P Enclosure or SB730P Enclosure, please contact the EAW Application Support Group for assistance:

EAW ASG	Tel	800-992-5013 (USA only)
One Main Street	Tel	508-234-6158
Whitinsville, MA 01588 USA	Fax	508-234-8251
	E-mail	asg@eaw.com

Thank you for purchasing EAW products

The Laws of Physics | The Art of Listening

