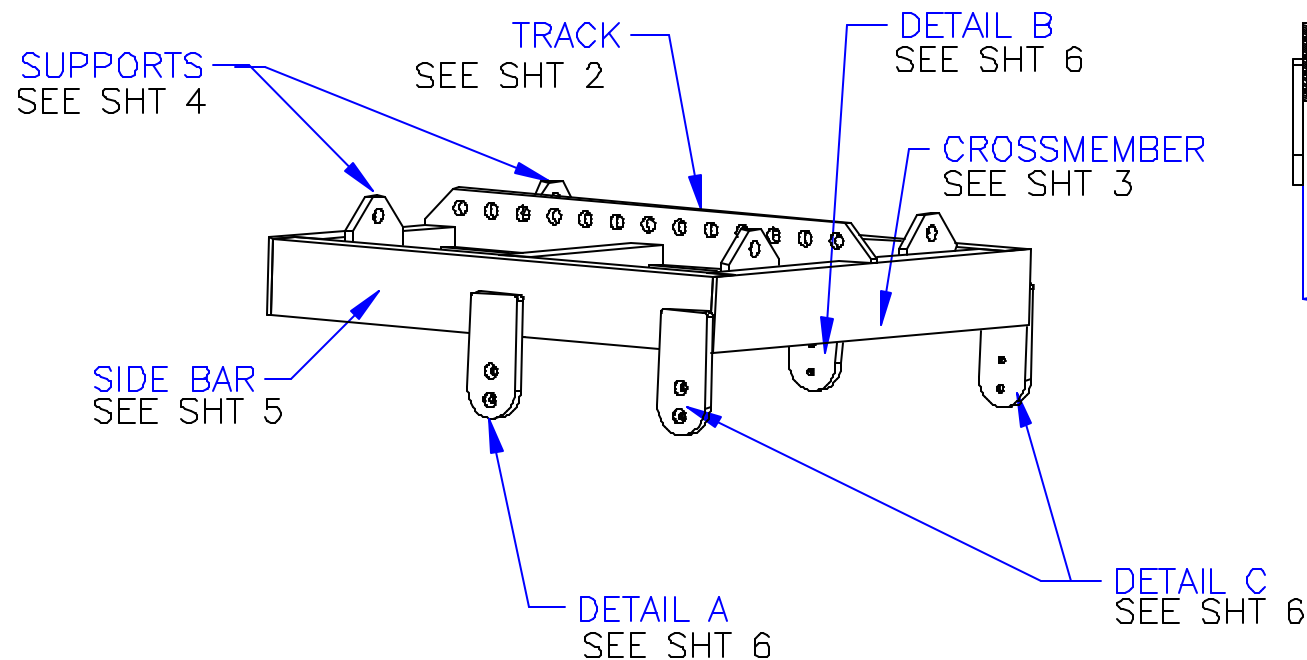
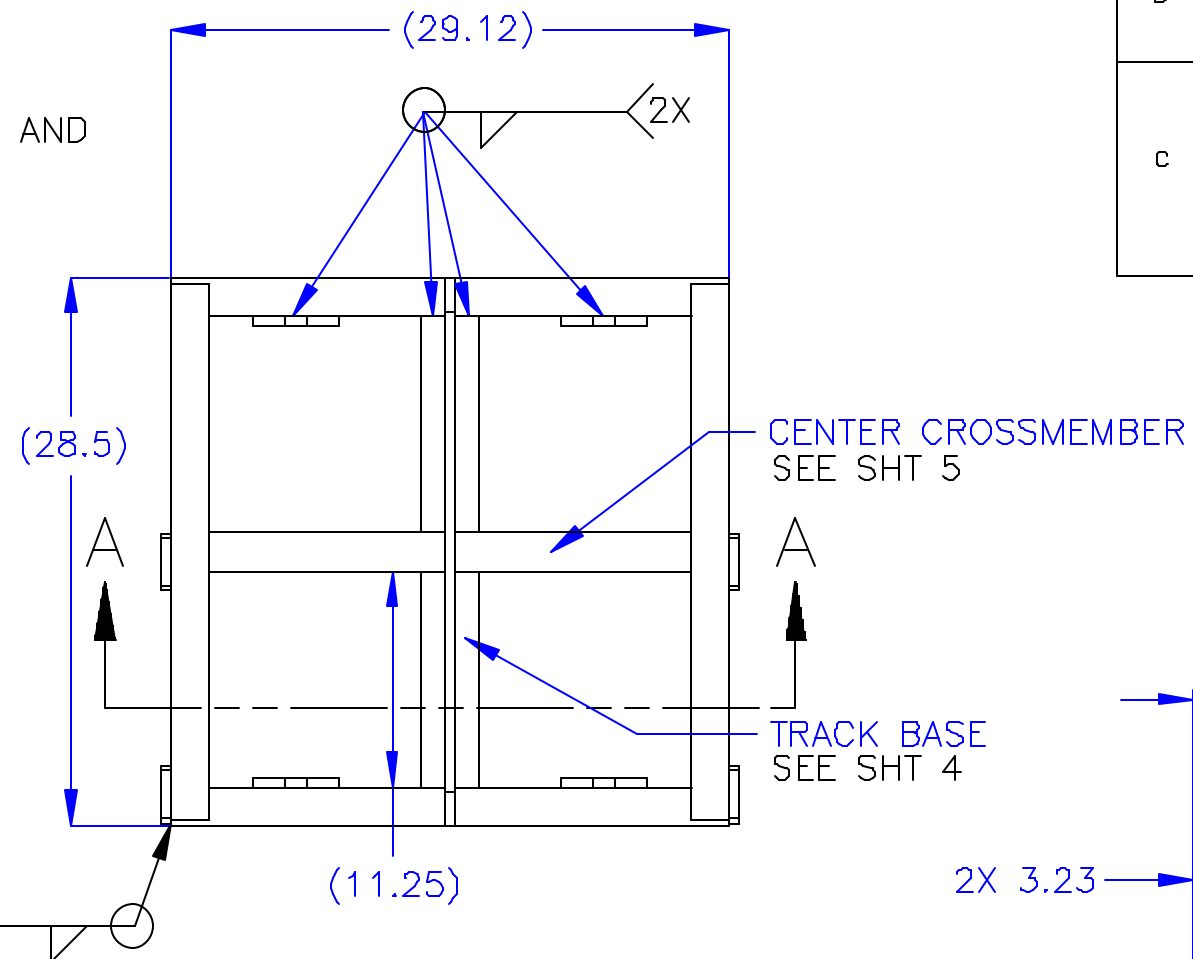


NOTES:

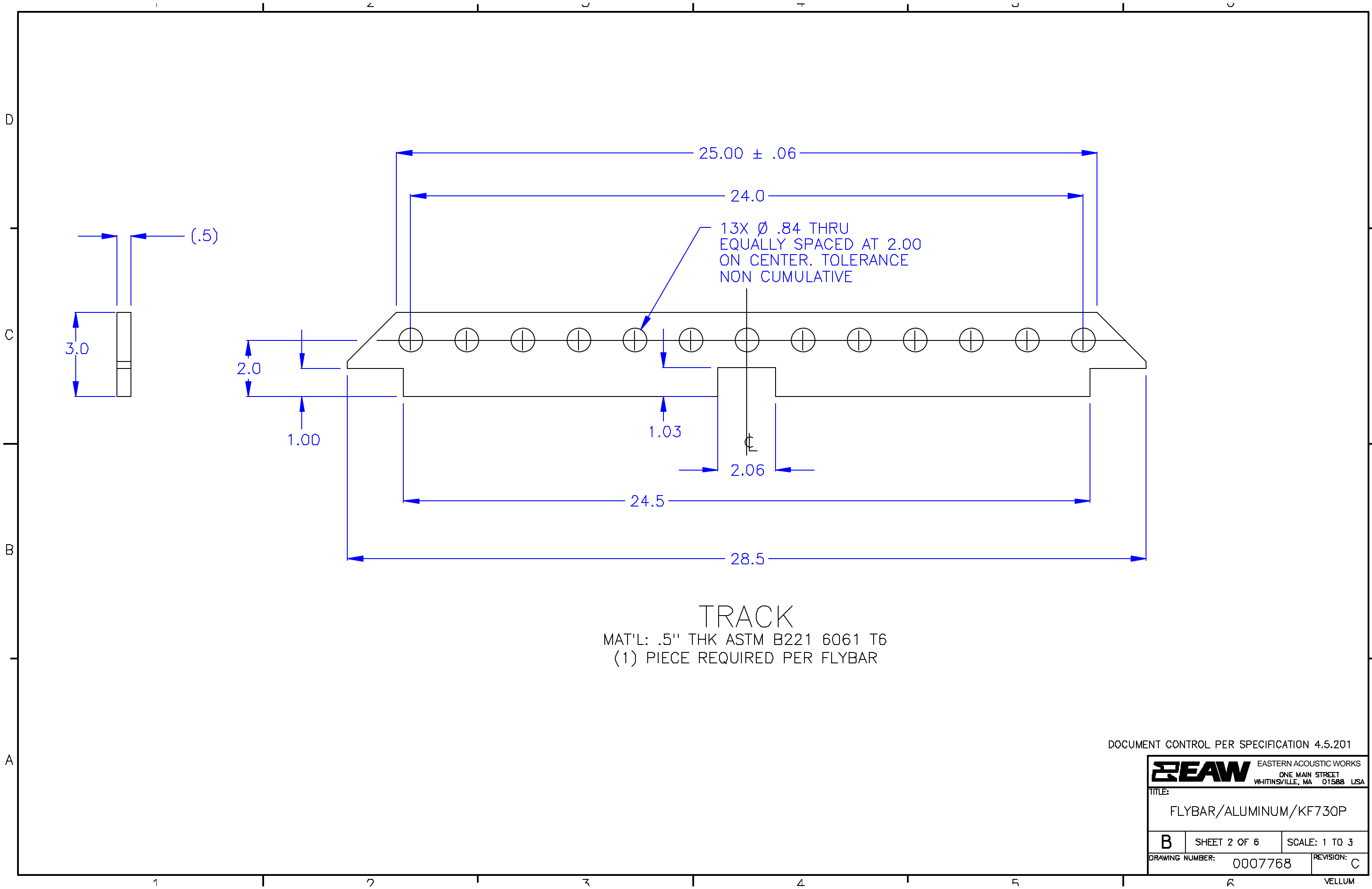
1. MATERIAL: SEE EACH SHEET.
2. FINISH: DUPONT EFB-504-SO RAVEN BLACK OR SHERWIN WILLIAMS POWDURA EPOXY POWDER OR MORTON 10-7068 VISTA BLACK.
3. CERTIFICATION OF MATERIALS ARE REQUIRED WITH EACH SHIPMENT.
4. ALL LONG TUBES TO BE WELDED 90° TO EACH OTHER.
5. REMOVE BURRS AND SHARP EDGES.
6. PART TO BE CLEANED AND FREE OF GREASE AND DEBRIS.
7. REFER TO EAW MATERIAL SPECIFICATION 480455 FOR LABELING AND SHIPPING REQUIREMENTS.

REV	DESCRIPTION	APVD/DATE
A	RELEASED TO PRODUCTION FROM REV. 2 WITH THE FOLLOWING CHANGES: REMOVED NOTE 8 AND IDENTIFICATION STAMPING PER DSRWHT3889 MELANIE 9/10/03	KFH 9/10/03 TSD 9/10/03
B	6 X DELETED Ø .406 THRU HOLES SEE SIDE BAR SHEET 5. PER ECQWHT3091 MFL 10/8/03	RAS 10/9/03 TSD 10/9/03
C	29.12 WAS 29.125 IN FRONT & TOP VIEW ON SHT1 & FRONT VIEW ON SHT 3, REMOVED ±.06 FROM (11.25) DIM IN TOP VIEW ON SHT 1, ON SUPPORT 1.0 WAS 1.1/1.0 ON SHT 4, (3.0) WAS (2.00), (2.0) WAS (1.33), (.25) WAS (.17) ON FRONT VIEW OF TRACK BASE ON SHT 4 PER ECQWHT3134 JAB 11-6-03	TSD 11/6/03 TSD 11/6/03



THIRD ANGLE PROJECTION		UNLESS OTHERWISE SPECIFIED: ALL DIMENSIONS ARE IN INCHES		STATUS: PRODUCTION		EAW EASTERN ACOUSTIC WORKS	
		TOLERANCE IN INCHES .X ± .1 .XX ± .03 .XXX ± .010 FRACTIONS ± 1/32 ANGLES ± 1/2° (.XXX) = REF DIMS NO TOLERANCE IMPLIED T.S.C.=THEORETICAL SHARP CORNER DIMENSIONS ACROSS CENTERLINES TO BE SYMMETRICAL		APPROVALS DATE DRAWN: MELANIE 7/10/03 CHECKED: KFH 9/12/03 DES ENG: NB/TSD 9/22/03 MFG ENG: MD 9/24/03		ONE MAIN STREET WHITINSVILLE, MA 01588 USA TITLE: FLYBAR/ALUMINUM/KF730P SHEET 1 OF 6 SCALE: 1 TO 10 DRAWING NUMBER: 0007768 REVISION: C	

DOCUMENT CONTROL PER SPECIFICATION 4.5.201



25.00 ± .06

24.0

13X Ø .84 THRU
EQUALLY SPACED AT 2.00
ON CENTER. TOLERANCE
NON CUMULATIVE

(.5)

3.0

2.0

1.00

1.03

2.06

24.5

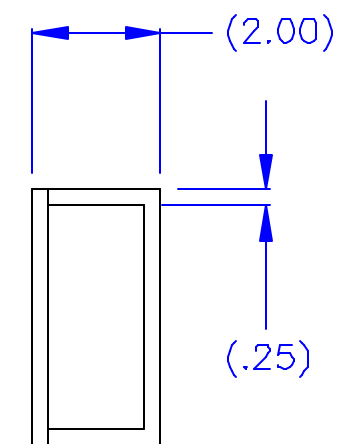
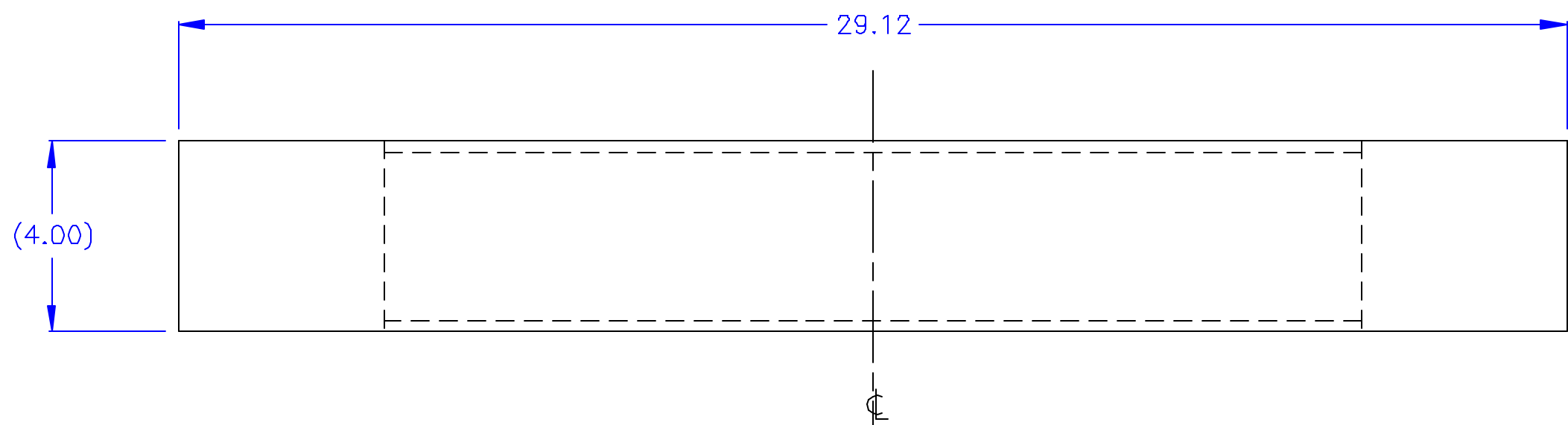
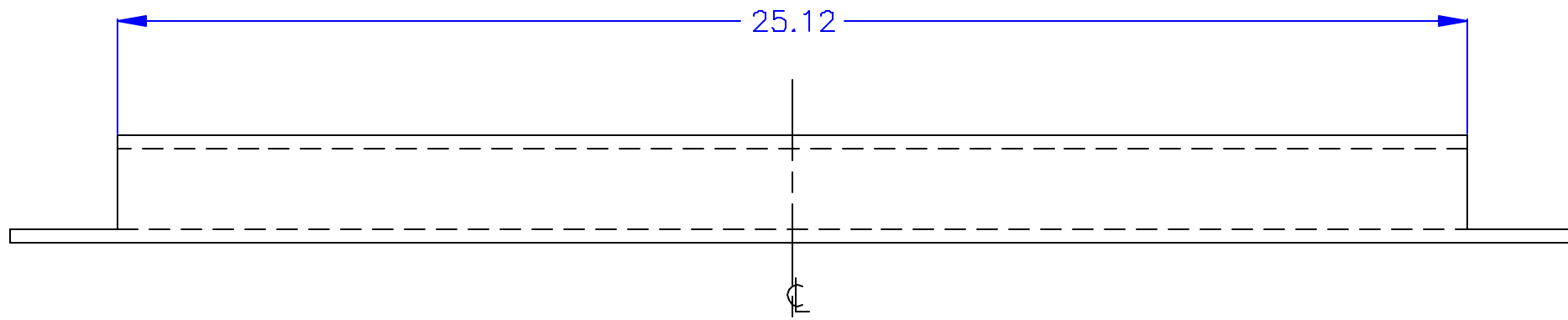
28.5

TRACK

MAT'L: .5" THK ASTM B221 6061 T6
(1) PIECE REQUIRED PER FLYBAR

DOCUMENT CONTROL PER SPECIFICATION 4.5.201

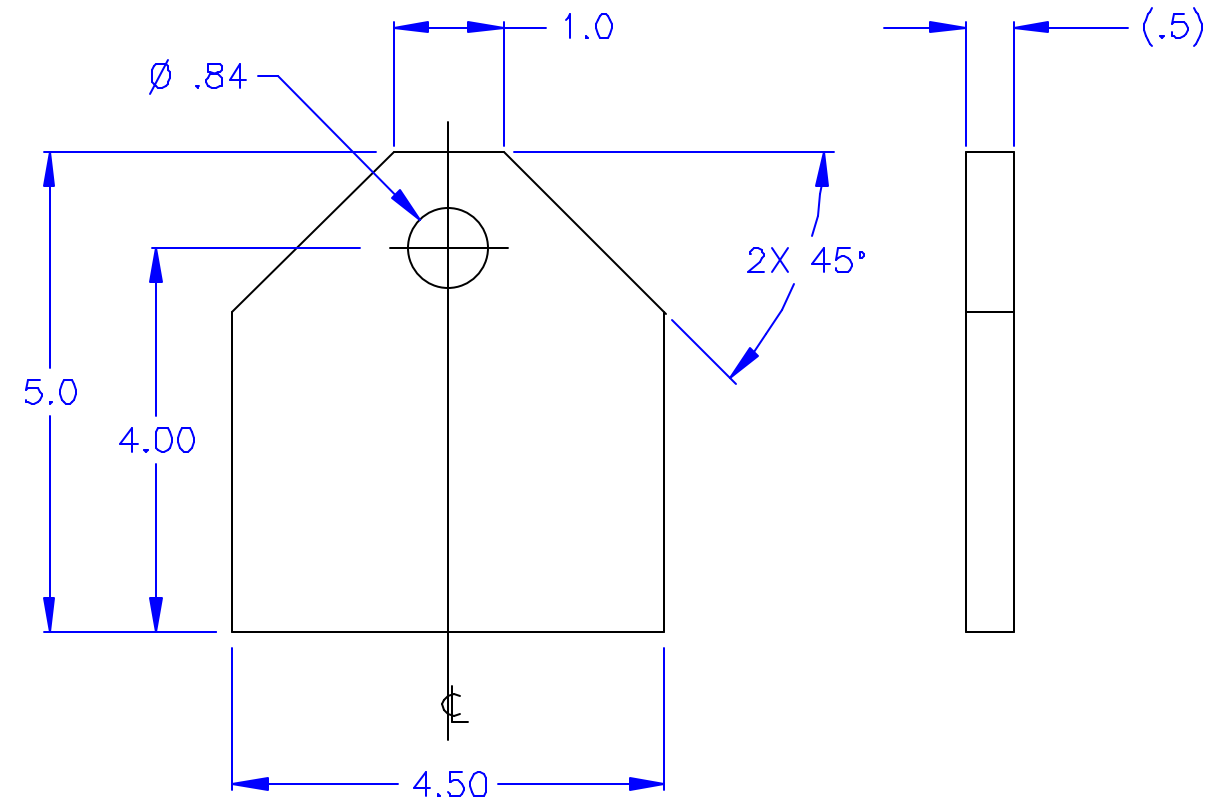
EAW EASTERN ACOUSTIC WORKS	
ONE MAIN STREET WHITINSVILLE, MA 01588 USA	
TITLE: FLYBAR/ALUMINUM/KF730P	
B	SHEET 2 OF 6
SCALE: 1 TO 3	
DRAWING NUMBER: 0007768	REVISION: C



CROSS MEMBER
 MAT'L: 2.0" X 4.0" X .25" WALL ASTM B221 6061 T6
 (2) PIECES REQUIRED PER FLYBAR

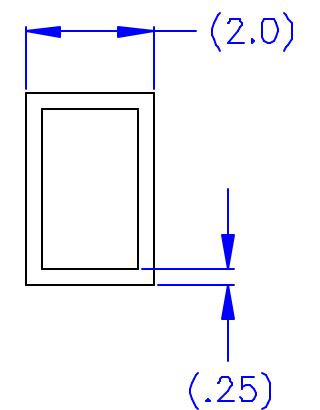
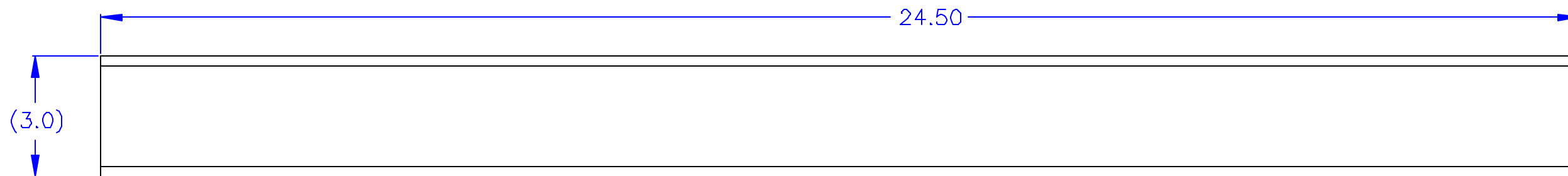
DOCUMENT CONTROL PER SPECIFICATION 4.5.201

EAW EASTERN ACOUSTIC WORKS ONE MAIN STREET WHITINSVILLE, MA 01588 USA	
TITLE: FLYBAR/ALUMINUM/KF730P	
B	SHEET 3 OF 6
SCALE: 1 TO 3	
DRAWING NUMBER: 0007768	REVISION: C



SUPPORT

MAT'L: .5" THK. ASTM B221 6061 T6
 (4) PIECES REQUIRED PER FLYBAR



TRACK BASE

MAT'L: 2.0" X 3.0" X .25" WALL ASTM B221 6061 T6
 (1) PIECE REQUIRED PER FLYBAR

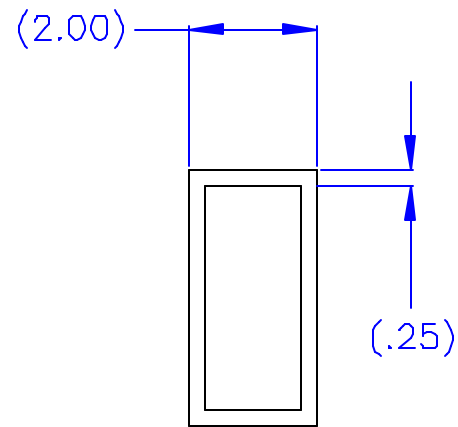
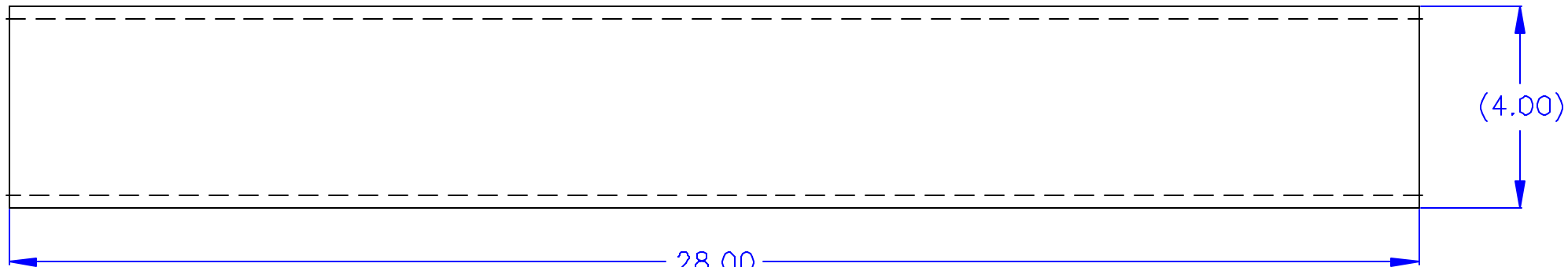
DOCUMENT CONTROL PER SPECIFICATION 4.5.201



TITLE: FLYBAR/ALUMINUM/KF730P		
B	SHEET 4 OF 6	SCALE: 1 TO 2
DRAWING NUMBER: 0007768	REVISION: C	

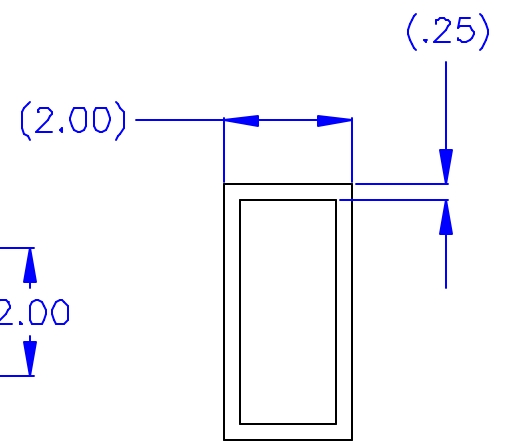
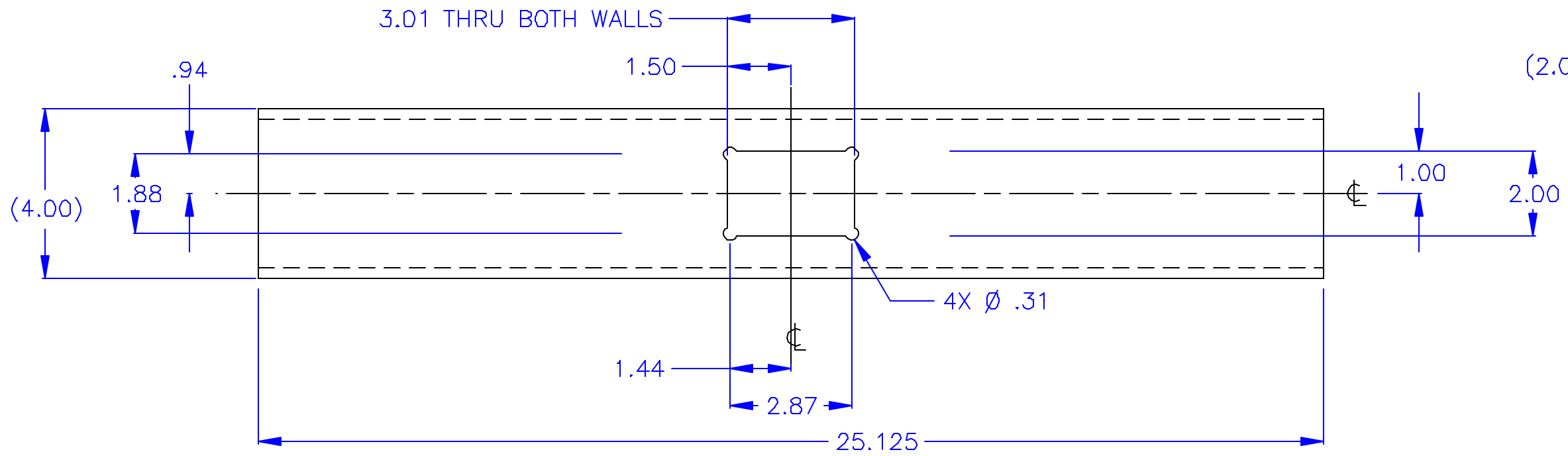
1 2 3 4 5 6

D
C
B
A



SIDE BAR

MAT'L: 2.0" X 4.0" X .25" WALL ASTM B221 6061 T6
(2) PIECES REQUIRED PER FLYBAR



CENTER CROSS MEMBER

MAT'L: 2.0" X 4.0" X .25" WALL ASTM B221 6061 T6
(1) PIECE REQUIRED PER FLYBAR

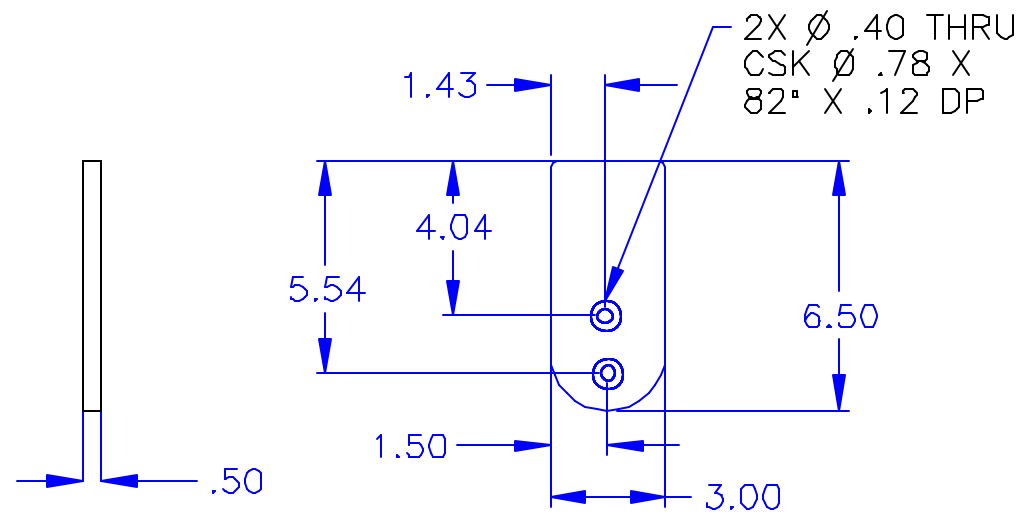
DOCUMENT CONTROL PER SPECIFICATION 4.5.201



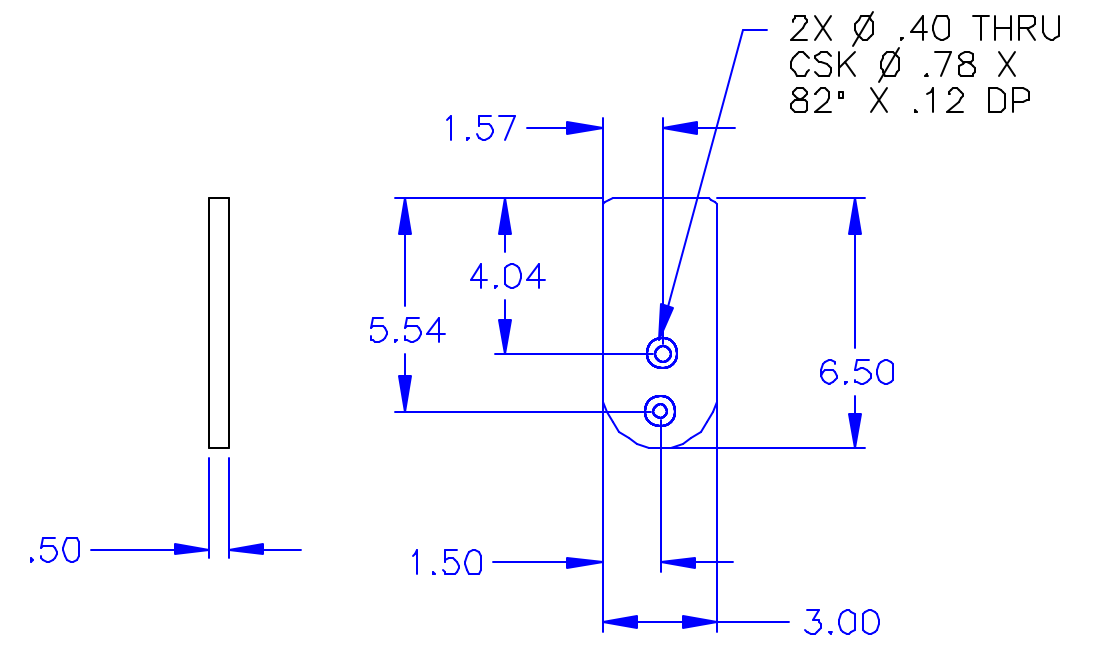
TITLE:
FLYBAR/ALUMINUM/KF730P

B SHEET 5 OF 6 SCALE: 1 TO 3

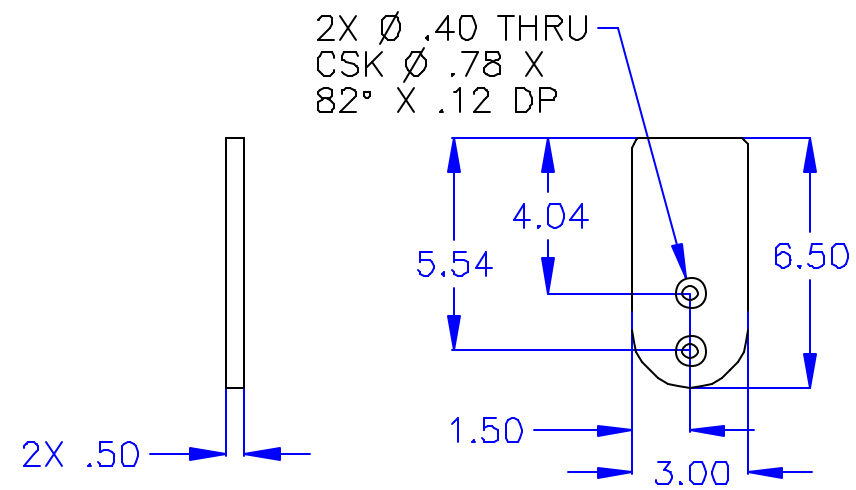
DRAWING NUMBER: 0007768 REVISION: C



DETAIL A
 RIGHT REAR MOUNTING PLATE
 MAT'L: ASTM B221 6061 T6
 SCALE 1:2
 (1X)



DETAIL B
 LEFT REAR MOUNTING PLATE
 MAT'L: ASTM B221 6061 T6
 SCALE 1:2
 (1X)



DETAIL C
 FRONT MOUNTING PLATE
 MAT'L: ASTM B221 6061 T6
 SCALE 1:2
 (2X)

DOCUMENT CONTROL PER SPECIFICATION 4.5.201

EA EASTERN ACOUSTIC WORKS	
ONE MAIN STREET WHITINSVILLE, MA 01588 USA	
TITLE: FLYBAR/ALUMINUM/KF730P	
B	SHEET 6 OF 6
SCALE: 1 TO 10	
DRAWING NUMBER: 0007768	REVISION: C