


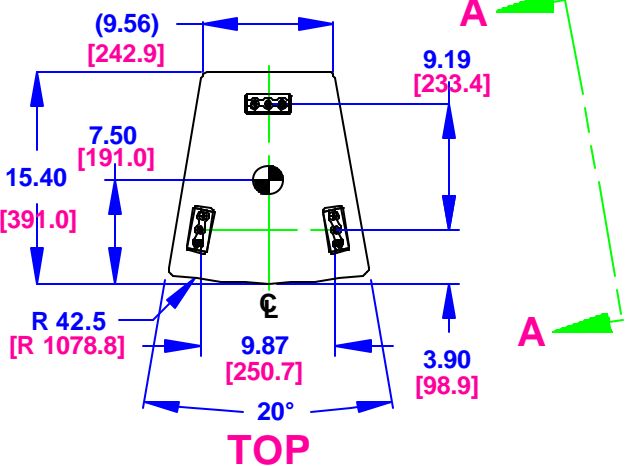


REV	DESCRIPTION	APVD/DATE
D	SKIPPED REVISIONS (B), AND (C) SO DRAWING REVISION AGREES WITH CURRENT AGILE REVISION (D), REVISED PER ECOWHT4438 DM 10/17/06	RS 10/18/06

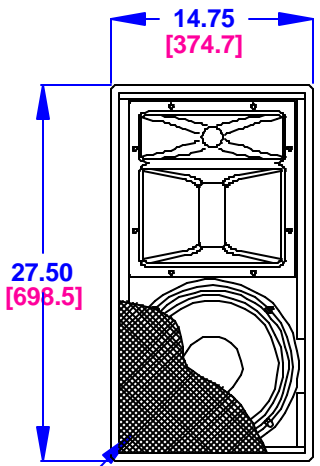
NOTES:

1. SYMBOL  INDICATES MOUNTING POINT, 3/8-16 THREADED HOLE (FLY TRACK).
2. SYMBOL  INDICATES 3.00 [76.2] x 1.35 [34.3] FLY TRACK.
3. SYMBOL  INDICATES CENTER OF BALANCE.
4. WEIGHT APPROX. 82 lb [37.2 kg].
5. SHIPPING WEIGHT APPROX. 91 lb [41.3 kg].



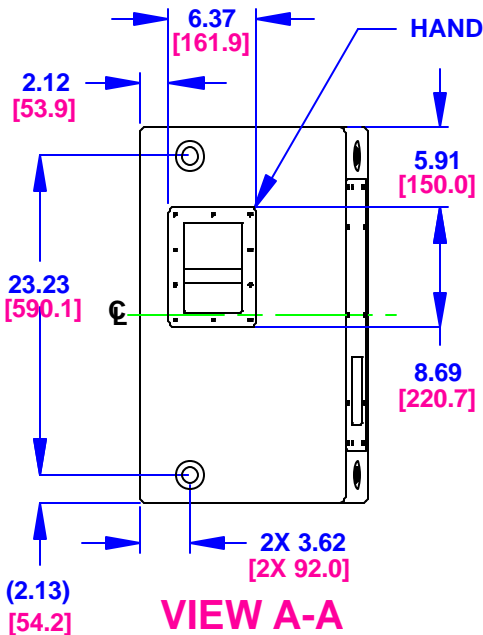
TOP

DIMENSIONS APPLY TO TOP AND BOTTOM

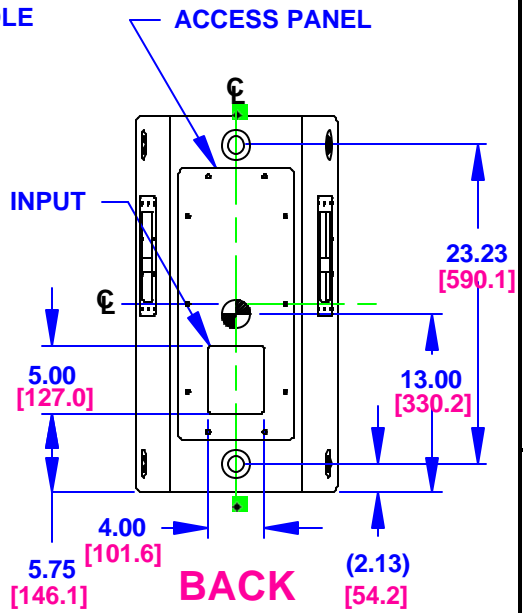


FRONT

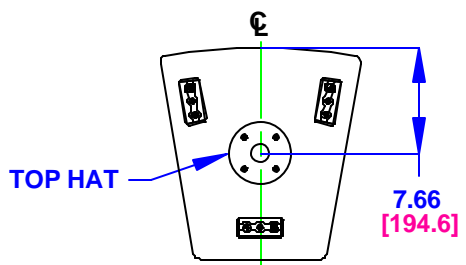
GRILLE PARTIALLY SHOWN



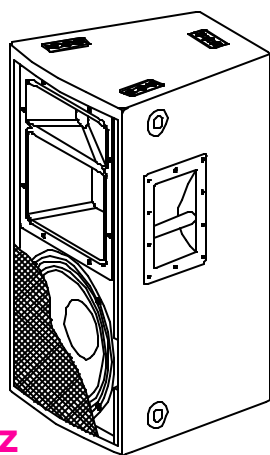
VIEW A-A
DIMENSIONS APPLY TO BOTH SIDES



BACK

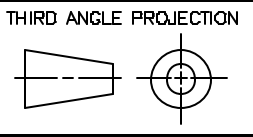


BOTTOM



KF300z

DOCUMENT CONTROL PER SPECIFICATION 4.5.201



UNLESS OTHERWISE SPECIFIED:
ALL DIMENSIONS ARE INCHES [MILLIMETERS]

TOLERANCES
LINEAR ± 0.13 in/ ± 3.3 mm
ANGLES ± 1°

(X.XX) - REF DIMS
NO TOLERANCE IMPLIED

TSC - THEORETICAL SHARP CORNER
DIMENSIONS ACROSS CENTERLINES
TO BE SYMMETRICAL

STATUS: PRODUCTION	
APPROVALS	DATE
DRAWN: MFL	4/9/02
CHECKED: KFH	3/24/03
DES ENG: NB	3/26/03
MFG ENG: DBD	3/24/03

EA EASTERN ACOUSTIC WORKS
ONE MAIN STREET
WHITINSVILLE, MA 01568 USA

TITLE: CABINET/FINISHED/BLACK/
KF300z
[MECHANICAL SPECIFICATION]

A SHEET 1 OF 1 SCALE: 1 TO 14

DRAWING NUMBER: 0001136 REVISION: D

THIS DRAWING IS THE PROPERTY OF EAW AND SHALL NOT BE COPIED, REPRODUCED, OR USED AS THE BASIS FOR MANUFACTURE OR SALE OF APPARATUS WITHOUT WRITTEN AUTHORIZATION. DO NOT SCALE DRAWING.