
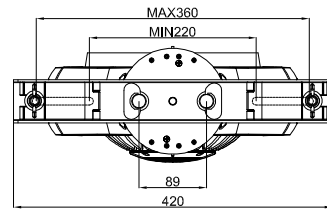
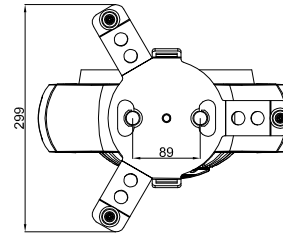


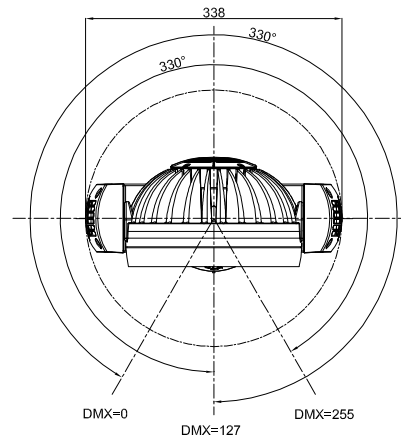
UNLESS OTHERWISE SPECIFIED DIMENSIONAL TOLERANCES: <6 = ± 0.05 6-30 = ± 0.1 30-120 = ± 0.15 >120 = ± 0.2 ANGLES = ± 0.5° PROPRIETARY NOTICE: ALL INFORMATION HEREIN IS THE SOLE AND EXCLUSIVE PROPERTY OF GLP, AND MAY NOT BE USED, DISCLOSED OR REPRODUCED IN ANY MANNER WITHOUT THE ADVANCE WRITTEN CONSENT OF GLP.	DRW:	PART NO.:		 GERMAN LIGHT PRODUCTS	GERMAN LIGHT PRODUCTS GMBH IM STÜCKMADLE 13 76307 KARLSBAD - GERMANY		
	CHK:	DRAWING NO.:			PHONE: +49 (0)7248/92719-0 WWW.GLP.DE		
	APR:	DATE: 22.06.07	REV.:	DESCRIPTION: IMPRESSION - DIMENSIONS			
	SIZE A4		MATERIAL:				
		ALL DIMENSIONS ARE IN MILLIMETERS UNLESS NOTED OTHERWISE. REMOVE ALL BURRS AN SHARP EDGES.			FILENAME: IMPRESSION.PDF		
		DO NOT SCALE		SHEET 1 OF 2			



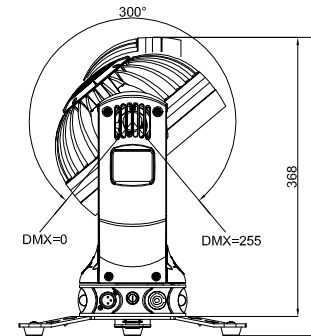
Optional Trussbar




Tripod



Pan movement range: 660°



Tilt movement range: 300°

UNLESS OTHERWISE SPECIFIED DIMENSIONAL TOLERANCES: <6 = ± 0.05 6-30 = ± 0.1 30-120 = ± 0.15 >120 = ± 0.2 ANGLES = ± 0.5° PROPRIETARY NOTICE: ALL INFORMATION HEREIN IS THE SOLE AND EXCLUSIVE PROPERTY OF GLP, AND MAY NOT BE USED, DISCLOSED OR REPRODUCED IN ANY MANNER WITHOUT THE ADVANCE WRITTEN CONSENT OF GLP.	DRW:	PART NO.:		 GERMAN LIGHT PRODUCTS GERMAN LIGHT PRODUCTS GMBH IM STÜCKMADLE 13 76307 KARLSBAD - GERMANY PHONE: +49 (0)7248/92719-0 WWW.GLP.DE
	CHK:	DRAWING NO.:		
	APR:	DATE: 22.06.07	REV.:	
	SIZE A4	DESCRIPTION: IMPRESSION - DIMENSIONS		
	MATERIAL:		FINISH:	
	ALL DIMENSIONS ARE IN MILLIMETERS UNLESS NOTED OTHERWISE. REMOVE ALL BURRS AN SHARP EDGES.			FILENAME: IMPRESSION.PDF
	DO NOT SCALE		SHEET 2 OF 2	