

gemini[®]

SOSP-8 **Empower Your Sound.**



SOSP-8MOBC



SOSP-8BLK



1-732-346-0061

www.geminisound.com

This page intentionally left blank

Index

What's Included	3
Warning	4
Product Diagram	6
Power On	7
Bluetooth® Pairing & Link	7
Volume Adjust	7
Lighting Control	8
Voice Command	8
Bass Mode	8
AUX Input	8
Recharge Your Speaker	8
Charging External Devices	9
Weather Resistance (IP67 Rating)	9
Limited Warranty	10
Return/Repair	10
Legality & Safety	11



WARNING



This lightning flash with arrowhead symbol, within an equilateral triangle, is intended to alert the user to the presence of uninsulated "dangerous voltage" within the product's enclosure that may be of sufficient magnitude to constitute a risk of electric shock to persons.

CAUTION

**RISK OF ELECTRIC SHOCK
DO NOT OPEN**

Warning: To reduce the risk of electric shock, do not remove cover (or back) no user-serviceable parts inside. Refer servicing to qualified service personnel.



The exclamation point within an equilateral triangle is intended to alert the user to the presence of important operating and maintenance (servicing) instructions in the literature accompanying the appliance.

IMPORTANT SAFETY INSTRUCTIONS

- 1) Read these instructions.
- 2) Keep these instructions.
- 3) Heed all warnings.
- 4) Follow all instructions.
- 5) Clean only with dry cloth.
- 6) Do not block any ventilation openings. Install in accordance with the manufacturer's instructions.
- 7) Do not install near any heat sources such as radiators, heat registers, stoves, or other apparatus (including amplifiers) that produce heat.
- 8) Do not defeat the safety purpose of the polarized or grounding-type plug. A polarized plug has two blades with one wider than the other. A grounding type plug has two blades and a third grounding prong. The wide blade or the third prong are provided for your safety. If the provided plug does not fit into your outlet, consult an electrician for replacement of the obsolete outlet.
- 9) Protect the power cord from being walked on or pinched particularly at plugs, convenience receptacles, and the point where they exit from the apparatus.
- 10) Only use attachments/accessories specified by the manufacturer.
- 11) Use only with the cart, stand, tripod, bracket, or table specified by the manufacturer, or sold with the apparatus. When a cart is used, use caution when moving the cart/apparatus combination to avoid injury from tip-over.



531304

- 12) Unplug this apparatus during lightning storms or when unused for long periods of time.
- 13) Refer all servicing to qualified service personnel. Servicing is required when the apparatus has been damaged in any way, such as power-supply cord or plug is damaged, liquid has been spilled or objects have fallen into the apparatus, the apparatus has been exposed to rain or moisture, does not operate normally, or has been dropped.
- 14) Grounding or Polarization – This product may be equipped with a polarized alternating-current line plug (a plug having one blade wider than the other). This plug will fit into the power outlet only one way. This is a safety feature. If you are unable to insert the plug fully into the outlet, try reversing the plug. If the plug should still fail to fit, contact your electrician to replace your obsolete outlet. Do not defeat the safety purpose of the polarized plug.
- 15) The MAINS plug or an appliance coupler is used as the disconnect device, the disconnect device shall remain readily operable
- 16) CLASS II apparatus with double insulation, and no protective earth provided.
- 17) " USE OF ANY CONTROLS, ADJUSTMENTS, OR PROCEDURES OTHER THAN THOSE SPECIFIED HEREIN MAY RESULT IN HAZARDOUS RADIATION EXPOSURE."
- 18) Invisible laser radiation when open. DO NOT STARE INTO BEAM.
- 19) To reduce the risk of electrical shock, do not open the unit. There are no user replaceable parts inside. Please refer servicing to a qualified Altec Lansing service technician. Do not attempt to return this equipment to your dealer.
- 20) Do not open the device or attempt to disassemble the internal parts or modify them in any way. The device contains no user- serviceable parts. If it should appear to be malfunctioning, discontinue use immediately and have it inspected by qualified Altec Lansing service personnel.
- 21) Replacement Parts: When replacement parts are required, be sure the service technician has used replacement parts specified by the manufacturer or have the same characteristics as the original part. Unauthorized substitutions may result in fire, electrical shock, or other hazards.

Responsible Party Name:

Innovative Concepts & Designs

Company address:

458 Florida Grove Rd.

Perth Amboy, NJ 08861, USA

FCC ID: 2AE6GSOSP-8

FCC Compliance Statement

This device complies with Part 15 of the FCC Rules. The operation is subject to the following two conditions:

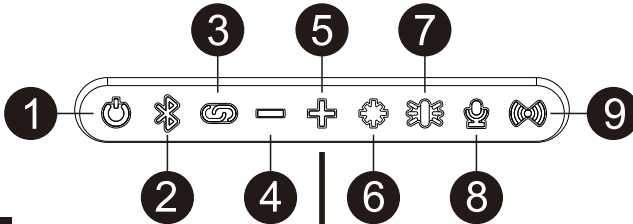
- (1) This device may not cause harmful interference, and
- (2) This device must accept any interference received, including interference that may cause undesired operation.

Note: This equipment has been tested and found to comply with the limits for a class B digital device, pursuant to Part 15 of the FCC Rules. These equipment generates uses and can radiate radio frequency energy and if not installed and used in accordance with the instructions, may cause harmful interference to radio communications. However, there is no guarantee that interference will not occur in a particular installation. If this equipment does cause interference to radio or television reception, which can be determined by turning the equipment off and then on, the user is encouraged to try to correct the interference by one or more of the following measures:

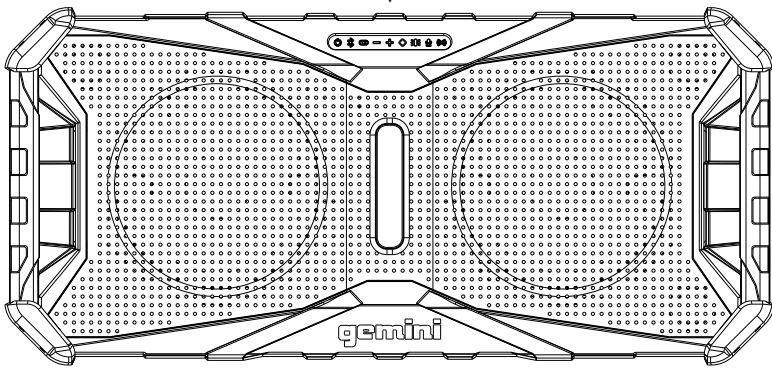
- Reorient or relocate the receiving antenna.
- Increase the separation between the equipment and receiver.
- Connect the equipment to a different outlet so that the equipment and receiver are on different branch circuits.
- Consult the dealer or an experienced radio/TV technician for help.



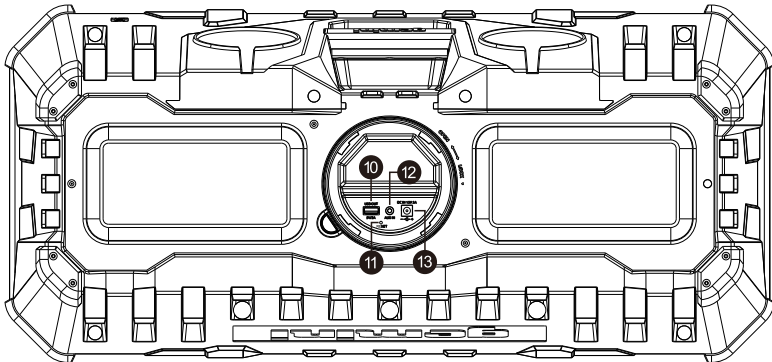
Function keys



Front



Back



1

- Press the button 1, it will turn on and the button will light up,



- Be sure to charge the battery fully before first use.

2

- This allows you to pair a portable device to the SOSP8 to play your favorite streaming music.



- To pair with Bluetooth, open Bluetooth settings on your mobile device and look in the device list for “GEMINI SOSP8”, select it and complete the pairing process. Once pairing is complete, the Bluetooth button will light solid blue, and you will be able to enjoy streaming music from your mobile device. Pressing and holding the BT button for 2 seconds will drop the current connection and into the unpaired state, long press 5 seconds to turn off the Bluetooth.



- If your phone is NFC compatible, press the Bluetooth button and tap your phone against the NFC logo on the SOSP8 to pair (NFC must be turned on in your portable device settings).

- Note: The N-Mark is a trademark or registered trademark of NFC Forum, Inc. in the United States and in other countries.

3

- The SOSP-8 has the ability to link wirelessly with another SOSP-8 to create a stereo pair. The first step is to have a phone connected to a speaker (as a host) To connect, you need to press the Link key of another speaker (the unconnected device work as a slave)



- When the 2 speakers have paired, the Link button will light solid. Any music sent to the “master” speaker will play on both speakers. Long press the Link key on either speaker to disconnect the interconnection
- Note: Many environmental factors can affect the range of Bluetooth devices. To achieve the best performance possible, place your product in the middle of the room and make sure it's not blocked by walls, furniture, or other obstructions.

4

- Short or long presses the button can lower the volume.



5

- Short or long presses the button can increase the volume.



6

- The SOSP-8 has lights built into the front of the speakers.



- Press the "6" button to switch between the 5 lighting FX modes [FLASH | PARTY FX | COLOR STROBE | COLOR FADE | OFF]

- Color Select
Long press '-' and '+' at the same time to make both keys bright. Then press '-' or '+' when both keys are bright to select the color

7

- In the center of the SOSP-8 is a built-in strobe light.



- Press the '7' button to switch between the 3 strobe FX modes [ON | STROBE | OFF]

8

- Voice Control

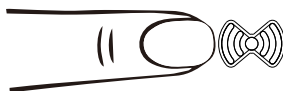
A short press opens a smart voice assistant on a device, such as Apple's Siri, to play music via voice control.



9

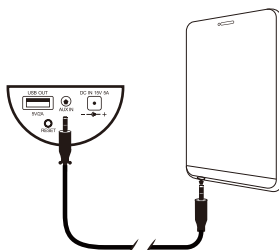
- Bass MODE

Short press the "9" button to enhance the bass by adding more power.



AUX Input

- The AUX input on the SOSP-8 allows you to connect a wired external source.



- When a device is connected to the *AUX IN* jack, you will not be able to hear the Bluetooth source.

Note: The *AUX IN* is located behind the waterproof cover on the back of the SOSP-8.

Recharge Your Speaker

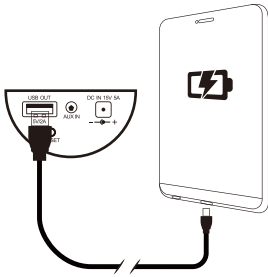
On DC Power:

- The SOSP-8 is capable of operating and charging from a DC power source, like your car's battery.
- The power supply should provide 15VDC @ up to 5A (maximum).



Charging External Devices

- The SOSP-8 can charge your phone or other portable device.
- Using an approved USB charging cable for your device, connect to the USB type A port on the back of the SOSP-8. Connect the smaller end to your portable device.

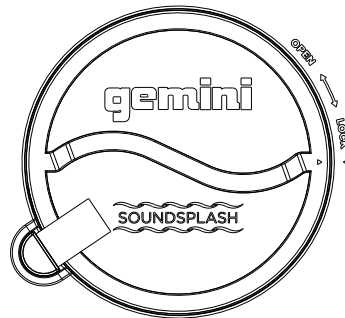


- Once connected, you should see the charging indicator activate on your portable device.

Note: Charging and power ports are located behind the waterproof cover on the back of the SOSP-8.

Weather Resistance (IP67 Rating)

- The SOSP-8 is IP67 rated, meaning it is dust resistant and capable of being submerged for up to 30 minutes at a depth of 1 meter. However, that doesn't mean your new speaker is indestructible. Other factors – like the corrosiveness of the liquid due to it containing salt or chlorine – can affect the overall integrity of the enclosure. If your SOSP-8 is exposed to any substance other than clean water, it's a good idea to clean the unit with a clean, soft cloth. Give the unit time to dry completely before connecting it back to mains power.
- **Note:** The unit is only protected when the rear plastic port cover is properly in place, if not, the unit is not sealed from damage and care should be taken to protect it from any Exposure to liquids or dust.



Warranty and Repair

All Gemini products are designed and manufactured to the highest standards in the industry. With proper care and maintenance, your product will provide years of reliable service.

Limited Warranty

- a. GEMINI guarantees its products to be free from defects in materials and workmanship for one (1) year from the original purchase date.
- b. This limited warranty does not cover damage or failure caused by abuse, misuse, abnormal use, faulty installation, improper maintenance or any repairs other than those provided by an authorized INNOVATIVE CONCEPTS AND DESIGN LLC.
- c. There are no obligations of liability on the part of GEMINI for consequential damages arising out of or in connection with the use or performance of the product or other indirect damages with respect to loss of property, revenues, of profit, or costs of removal, installation, or reinstallation. All implied warranties for GEMINI, including implied warranties for fitness, are limited in duration to one (1) year from the original date of purchase, unless otherwise mandated by local statutes.

Return/Repair

- a. Please call our helpful Customer Service Representatives at 732-346-0061, and they will be happy to give you a Return Authorization Number (RMA) and the address of an authorized service center closest to you.
- b. After receiving an RMA, include a copy of the original sales receipt, with defective product and a description of the defect. Send by insured freight to: Gemini and use the address provided by your customer service representative. Your RMA must be written on the outside of the package, or processing will be delayed indefinitely!
- c. Service covered under warranty will be paid for by Gemini and returned to you. For non-warranted products, Gemini will repair your unit after payment is received. Repair charges do not include return freight. Freight charges will be added to the repair charges.
- d. On warranty service, you pay for shipping to Gemini, we pay for return shipping within the continental United States. Alaska, Hawaii, Puerto Rico, Canada, Bahamas, and the Virgin Islands will be charged for freight.
- e. Please allow 2-3 weeks for return of your product. Under normal circumstances your product will spend no more than 10 working days at Gemini. We are not responsible for shipping times.

LEGALITY & SAFETY

The device is not intended for use by people (including children) with reduced physical, sensory or mental capacity. People who have not read the manual, unless they have received an explanation by someone responsible for their safety, should not use this unit. Children should be monitored to ensure that they do not play with the device. The device should always be readily accessible. The device should not be exposed to water. No objects filled with liquids, such as vases, shall be placed on the device. Always leave a minimum distance of 10 cm around the unit to ensure sufficient ventilation. Open flame sources, such as candles, should not be placed on top of the device. The device is intended for use only in a temperate climate. At full volume, prolonged listening may damage your hearing and cause temporary or permanent deafness, hearing drone, tinnitus, or hyperacusis. Listening at high volume is not recommended. One hour per day is not recommend either. Switch the device off where the use of the device is not allowed or where there is a risk of causing interference or danger - for examples: on an aircraft, or near medical equipment, fuel, chemicals or blasting sites. Check the current laws and regulations regarding the use of this device in the areas where you drive. Do not handle the device when driving. Concentrate fully on driving. All wireless devices are susceptible to interference which may affect their performance. All our devices conform to international/national standards and regulations, and we aim to limit user exposure to electromagnetic fields. These standards and regulations were adopted after the completion of extensive scientific research. This research established no link between the use of the mobile headset and any adverse effects on health if the device is used in accordance with standard practices. Only qualified people are authorized to install or repair this product. Only use batteries, chargers and other accessories which are compatible with this equipment. Do not connect incompatible products. This equipment is not waterproof. Keep it dry. Keep your device in a safe place, out of the reach of young children. The device contains small parts which may present a choking hazard to kids.

Esta página se dejó en blanco intencionalmente

Índice

Que Incluido	13
Advertencia	14
Diagrama de producto	16
Encendido	17
Emparejamiento y enlace Bluetooth	17
Ajuste de volumen	17
Control de iluminación	18
Comando de voz	18
Modo de graves	18
Entrada auxiliar	18
Recarga tu altavoz	18
Carga de dispositivos externos	19
Resistencia a la intemperie (clasificación IP67)	19
Devolución /Reparación	20
Legalidad y seguridad	21



ADVERTENCIA



Este relámpago con símbolo de punta de flecha, dentro de un triángulo equilátero, es destinado a alertar al usuario sobre la presencia de no aislados voltaje peligroso dentro la carcasa del producto que puede ser suficiente magnitud para constituir un riesgo de descargas eléctricas a personas.

PRECAUCIÓN

**RIESGO DE SHOCK ELÉCTRICO
NO ABRIR**

Advertencia: para reducir el riesgo de descarga eléctrica, no quitar cubrir (o volver) sin usuario piezas reparables en el interior. Referir servicio a servicio calificado Personal.



El signo de exclamación dentro de un equilátero triángulo está destinado a alertar al usuario a la presencia de operación importante y mantenimiento (servicio) instrucciones en el literatura que acompaña el aparato.

INSTRUCCIONES DE SEGURIDAD IMPORTANTES

- 1) Lea estas instrucciones.
- 2) Conserve estas instrucciones.
- 3) Preste atención a todas las advertencias.
- 4) Siga todas las instrucciones.
- 5) Limpiar solo con un paño seco.
- 6) No bloquee las aberturas de ventilación. Instale de acuerdo con las instrucciones del fabricante. instrucciones
- 7) No lo instale cerca de fuentes de calor como radiadores, rejillas de calefacción, estufas u otros aparatos (incluidos amplificadores) que produzcan calor.
- 8) No anule el propósito de seguridad del enchufe polarizado o con conexión a tierra. Un enchufe polarizado tiene dos clavijas, una más ancha que la otra. Un enchufe con conexión a tierra tiene dos clavijas y una tercera clavija de conexión a tierra. La hoja ancha o la tercera clavija se proporcionan para su seguridad. Si el El enchufe provisto no encaja en su tomacorriente, consulte a un electricista para reemplazar el tomacorriente obsoleto.
- 9) Proteja el cable de alimentación para que no se pise ni se pellizque, especialmente en los enchufes, los receptáculos de conveniencia y el punto por donde salen del aparato.
- 10) Utilice únicamente los aditamentos / accesorios especificados por el fabricante.
- 11) Úselo únicamente con el carro, soporte, trípode, soporte o mesa especificados por el fabricante o vendidos con el aparato. Cuando se utiliza un carro, tenga cuidado al mover el carro / aparato combinación para evitar lesiones por vuelco.



531264

- 12) Desenchufe este aparato durante tormentas eléctricas o cuando no se utilice durante largos períodos de tiempo.
- 13) Refiera todo el servicio a personal de servicio calificado. Se requiere servicio cuando el aparato se ha dañado de alguna manera, como el cable de alimentación o el enchufe están dañados, se ha derramado líquido o han caído objetos dentro del aparato, el aparato ha estado expuesto a la lluvia o humedad, no funciona con normalidad o se ha caído.
- 14) Conexión a tierra o polarización: este producto puede estar equipado con un enchufe de línea de corriente alterna polarizada (un enchufe que tiene una clavija más ancha que la otra). Este enchufe encajará en la toma de corriente de una sola manera. Esta es una característica de seguridad. Si no puede insertar el enchufe completamente en el tomacorriente, intente invertir el enchufe. Si el enchufe aún no encaja, comuníquese con su electricista para reemplazar su toma de corriente obsoleta. No anule el propósito de seguridad del enchufe polarizado.
- 15) El enchufe MAINS o un acoplador de electrodomésticos se utiliza como dispositivo de desconexión, el dispositivo de desconexión debe permanecer fácilmente operativo
- 16) Aparato de CLASE II con doble aislamiento y sin puesta a tierra de protección.
- 17) "USO DE CUALQUIER CONTROL, AJUSTE O PROCEDIMIENTO QUE NO SEAAQUELLOS ESPECIFICADO AQUÍ PUEDE RESULTAR EN EXPOSICIÓN A RADIACIÓN PELIGROSA
- 18) Radiación láser invisible cuando está abierto. NO MIRAR DIRECTAMENTE AL HAZ.
- 19) Para reducir el riesgo de descarga eléctrica, no abra la unidad. No hay piezas reemplazables por el usuario en el interior. Consulte el servicio con un técnico de servicio calificado de AltecLansing. No intente devolver este equipo a su distribuidor.
- 20) No abra el dispositivo ni intente desmontar las piezas internas ni modificarlas de ninguna manera. El dispositivo no contiene piezas que pueda reparar el usuario. Si parece que funciona mal, deje de usarlo inmediatamente y haga que lo inspeccione el personal de servicio calificado de Altec

Nombre de la parte responsable:

Conceptos y diseños innovadores

Dirección de la empresa:

458 Florida Grove Rd.

Perth Amboy, N 08861, EE. UU.

ID de la FCC: 2AE6GSOSP-8

Declaración de conformidad con la FCC

Este dispositivo cumple con la Parte 15 de las Reglas de la FCC. La operación está sujeta a las dos condiciones siguientes:

- 1) Este dispositivo no puede causar interferencias perjudiciales y
- 2) Este dispositivo debe aceptar cualquier interferencia recibida, incluida la interferencia que pueda causar un funcionamiento no deseado. Nota: Este equipo ha sido probado y cumple con los límites para un dispositivo digital de clase B, de acuerdo con a la Parte 15 de las Reglas de la FCC. Estos equipos generan usos y pueden irradiar energía de radiofrecuencia y si no instalado y utilizado de acuerdo con las instrucciones, puede causar interferencias perjudiciales para las comunicaciones por radio. Sin embargo, no hay garantía de que no se produzcan interferencias en una instalación en particular. Si este equipo no causar interferencias en la recepción de radio o televisión, lo cual se puede determinar apagando el equipo y Luego, se anima al usuario a intentar corregir la interferencia mediante una o más de las siguientes medidas:

• Vuelva a colocar o reubique la antena receptora.

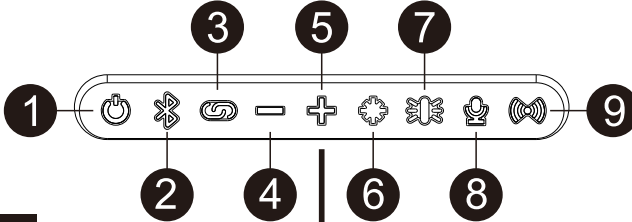
• Aumente la separación entre el equipo y el receptor.

• Conecte el equipo a un tomacorriente de dille rent para que el equipo y el receptor estén en circuitos de sucursales diferentes.

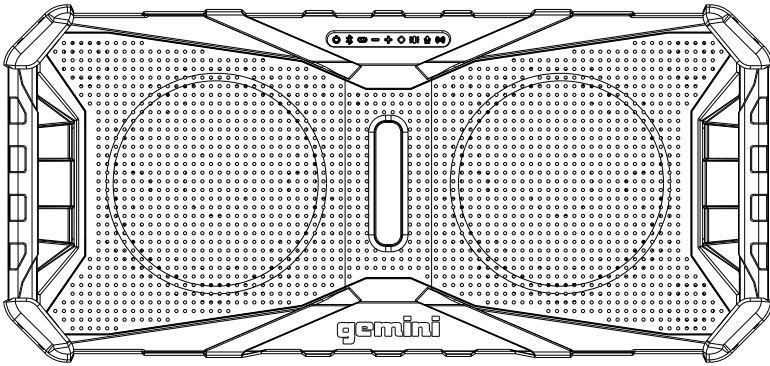
• Consulte con el distribuidor o con un técnico de radio / TV experimentado para obtener ayuda.



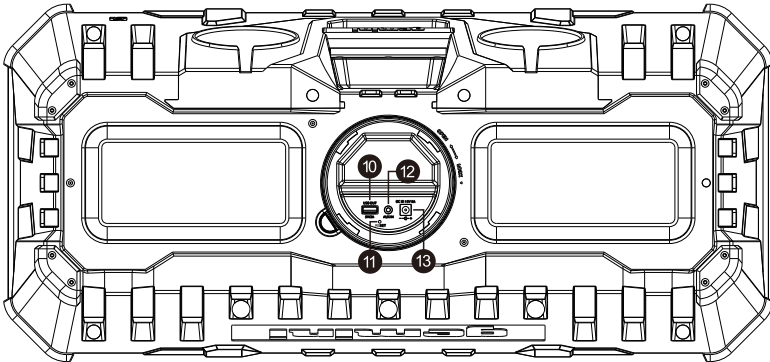
Teclas de función



Frente



Atrás



1

- Presione el botón 1, se encenderá y el botón se iluminará,



- Presione el botón 1, se encenderá y el botón se iluminará,

2

- Esto le permite emparejar un dispositivo portátil con el SOP8 para reproducir su música de transmisión favorita.



- Para emparejar con Bluetooth, abra Configuración de Bluetooth en tu móvil dispositivo y busque en la lista de dispositivos para "GEMINI SOSP8", selecciónelo y Completa el proceso de emparejamiento. Una vez que se completa el emparejamiento, el Bluetooth de los dos botones se iluminará en azul fijo y podrás disfrutar de la transmisión música desde su dispositivo móvil. Pre- Mantenga presionado el botón BT durante 2 segundos caerán la conexión actual ción y en el estado no apareado, mantenga pulsado 5 segundos para apagar el Bluetooth.



- Si su teléfono es compatible con NFC, presione el botón Bluetooth y toque su teléfono contra el NFC logo en el SOSP8 para emparejar (NFC debe estar encendido en su portátil configuración de dispositivo).

- Nota: N-Mark es una marca comercial o marca registrada de NFC Forum, Inc. en los Estados Unidos y en otros países.

3

- El SOSP-8 tiene la capacidad de enlazar de forma inalámbrica con otro SOSP-8 para crear un par estéreo. El primer paso es tener un teléfono conectado a un orador (como anfitrión) Para conectarse, debe presionar el enlace clave de otro hablante (la descontaminación El dispositivo afectado funciona como esclavo)



- Cuando los 2 altavoces se hayan emparejado, El botón de enlace e iluminará de forma fija. Cualquier música enviado al altavoz "maestro" reproducir en ambos altavoces. Mantenga pulsado el Vincular la tecla de cualquiera de los altavoces para desconectar conectar la interconexión.
- Nota: muchos factores ambientales puede afectar el alcance del dispositivo Bluetooth Para lograr el mejor rendimiento posible, coloque su producto en el medio de la habitación y asegúrese de no está bloqueado por paredes, muebles, u otras obstrucciones.

4

- Pulsaciones cortas o largas del botón pueden bajar el volumen



5

- Pulsaciones cortas o largas del botón pueden aumentar el volumen.



6

- El SOSP-8 tiene luces integradas en la parte frontal de los altavoces.



- Pulse el botón "6" para cambiar entre los 5 modos de efectos de iluminación [FLASH | PARTY FX | ESTROBO DE COLOR | COLOR FADE | OFF]
- Seleccione color Mantenga presionado '-' y '+' al mismo Es hora de hacer que ambas teclas brillen. Entonces presione '-' o '+' cuando ambas teclas estén brillante para seleccionar el color.

7

- En el centro del SOSP-8 hay una luz estroboscópica incorporada.



- Presione el botón '7' para cambiar entre los 3 modos de efectos estroboscópicos [ON | STROBE | IAPA GADO]

8

- Control de voz Una pulsación corta abre una voz inteligente asistente

en un dispositivo, como Applesiri, para reproducir música mediante control por voz.



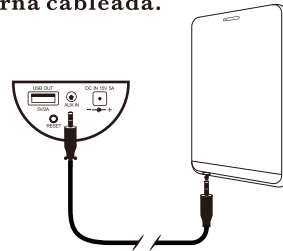
9

- **MODO de graves**
Presione brevemente el botón "9" para mejorar los graves agregando más potencia.



Entrada auxiliar

- La entrada AUX del SOSP-8 le permite conectar una fuente externa cableada.

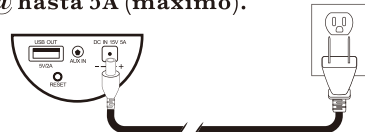


- Cuando un dispositivo está conectado a AUX IN, no podrá oír el Fuente Bluetooth.
Nota: La entrada AUX IN se encuentra detrás del cubierta impermeable en la parte posterior del SOSP-8.

Recarga tu altavoz

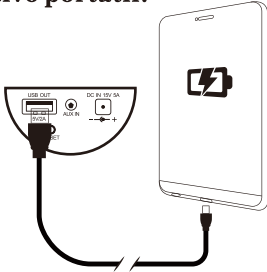
Con alimentación de CC:

- El SOSP-8 es capaz de operar y carga desde una fuente de alimentación de CC, como la batería de su automóvil.
- La fuente de alimentación debe proporcionar 15 V CC. @ hasta 5A (máximo).



Carga de dispositivos externos

- El SOSP-8 puede cargar su teléfono o otro dispositivo portátil.
- Con un cable de carga USB aprobado para su dispositivo, conéctelo al puerto USB tipo A en la parte posterior del SOSP-8. Conecte el extremo más pequeño a su dispositivo portátil.



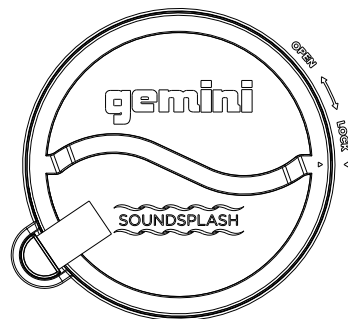
- Una vez conectado, debería ver el indicador de carga activado en su dispositivo portátil.

Nota: Los puertos de carga y alimentación ubicado detrás de la cubierta impermeable en la parte posterior del SOSP-8.

Resistencia a la intemperie (clasificación IP67)

- El SOSP-8 tiene clasificación IP67 lo que significa que es resistente al polvo y puede sumergirse hasta 30 minutos a una profundidad de 1 metro. Sin embargo, eso no significa que su nuevo altavoz sea indestructible. Otros factores, como la corrosividad del líquido debido a que contiene sal o cloro, pueden afectar la integridad general del recinto. Si su SOSP-8 está expuesto a cualquier sustancia que no sea agua limpia, es una buena idea limpiar la unidad con un paño limpio y suave. Deje que la unidad se seque por completo antes de volver a conectarla a la red eléctrica.

- **Nota:** La unidad solo está protegida cuando el La cubierta de plástico del puerto trasero está correctamente colocada; de lo contrario, la unidad no está sellada contra daños y se debe tener cuidado para protegerla de cualquier exposición a líquidos o polvo.



Garantía y reparación

Todos los productos Gemini están diseñados y fabricados con los más altos estándares de la industria. Con el cuidado y el mantenimiento adecuados, su producto le brindará años de servicio confiable.

Garantía limitada

una. GEMINI garantiza que sus productos están libres de defectos en materiales y mano de obra durante un (1) año a partir de la fecha de compra original.

B. Esta garantía limitada no cubre daños o fallas causados por abuso, mal uso, uso anormal, instalación defectuosa, mantenimiento inadecuado o cualquier reparación que no sean las provistas por INNOVATIVE CONCEPTS AND DESIGN LLC autorizada.

C. No hay obligaciones de responsabilidad por parte de GEMINI por daños emergentes que surjan de o en conexión con el uso o ejecutante del producto u otros daños indirectos con respecto a la pérdida de propiedad, ingresos, ganancias o costos de remoción, instalación o reinstalación. Todas las garantías implícitas para GEMINI, incluidas las garantías implícitas para la aptitud, tienen una duración limitada a un (1) año a partir de la fecha original de compra, a menos que exija lo contrario estatutos locales.

Devolución / Reparación

un. Llame a nuestros útiles representantes de servicio al cliente al 732-346-0061, y estarán encantados de darle un número de autorización de devolución (RMA) y la dirección del centro de servicio autorizado más cercano a usted.

B. Después de recibir una RMA, incluya una copia del recibo de venta original, con el producto defectuoso y una descripción del defecto. Envíe por flete asegurado a: Gemini y utilice la dirección proporcionada por su representante de servicio al cliente. Su RMA debe estar escrito en el exterior del paquete, o el procesamiento se retrasará indefinidamente.

C. Gemini pagará el servicio cubierto por la garantía y se lo devolverá. Para productos sin garantía, Gemini reparará su unidad después de recibir el pago. Los gastos de reparación no incluyen el flete de devolución. Los gastos de flete serán añadido a los gastos de reparación.

D. En el servicio de garantía, usted paga el envío a Gemini, nosotros pagamos el envío de devolución dentro de los Estados Unidos continentales Estados. Alaska, Hawái, Puerto Rico, Canadá, Bahamas e Islas Vírgenes se cambiarán por flete.

E. Por favor, espere 2-3 semanas para la devolución de su producto. En condiciones normales, gastará el producto no más de 10 días laborables en Gemini. responsable de los tiempos de envío.

LEGALIDAD Y SEGURIDAD

El dispositivo no está diseñado para ser utilizado por personas (incluidos niños) con capacidad física, sensorial o mental reducida. Las personas que no hayan leído el manual, a menos que hayan recibido una explicación de alguien responsable de su seguridad, no deben utilizar esta unidad. Se debe vigilar a los niños para asegurarse de que no jueguen con el dispositivo. El dispositivo debe ser siempre de fácil acceso y no debe exponerse al agua. No se deben colocar objetos llenos de líquido, como jarrones, sobre el dispositivo. Deje siempre una distancia mínima de 10 cm alrededor de la unidad para garantizar una ventilación suficiente. Llame a fuentes abiertas, como velas, no deben colocarse encima del dispositivo. Diseñado para usarse solo en un clima templado. A volumen máximo, la escucha prolongada puede dañar su audición y causar sordera temporal o permanente, zumbido auditivo, tinnitus o hiperacusia. No se recomienda escuchar a volumen alto. Tampoco se recomienda una hora al día. Apague el dispositivo donde no esté permitido el uso del dispositivo, o donde exista el riesgo de causar interferencia o peligro, por ejemplo: en una aeronave o cerca de equipos médicos, combustible, productos químicos o lugares de detonación. Consulte las leyes y normativas vigentes sobre el uso de este dispositivo en las zonas donde conduce. No manejar el dispositivo al conducir. Concéntrese completamente en conducir. Todos los dispositivos inalámbricos son susceptibles a interferencias que puedan afectar su funcionamiento. Todos nuestros dispositivos cumplen con los estándares y regulaciones internacionales / nacionales, y nuestro objetivo es limitar la exposición del usuario a los campos electromagnéticos. Estas normas y reglamentos fueron adoptados después de la finalización de una extensa investigación científica. Esta investigación no estableció ningún vínculo entre el uso de auriculares móviles y cualquier efecto adverso sobre la salud si el dispositivo se utiliza en de acuerdo con las prácticas estándar. Solo personas calificadas están autorizadas para instalar o reparar este producto. Utilice únicamente baterías, cargadores y otros accesorios que compatible con este equipo. No conecte productos incompatibles. Este equipo no es resistente al agua. Manténgalo seco. Man tenga su dispositivo en un lugar seguro, fuera del alcance de los niños pequeños. El dispositivo contiene piezas pequeñas que pueden representar un peligro de asfixia para los niños.

This page intentionally left blank

This page intentionally left blank

gemini[®]

**If you experience problems with this unit,
call 732-346-0061 for Gemini customer service.
Do not attempt to return this equipment to your dealer.**

Parts of the design of this product may be protected by worldwide patents. Information in this manual is subject to change without notice and does not represent a commitment on the part of the vendor. Gemini shall not be liable for any loss or damage whatsoever arising from the use of information or any error contained in this manual. No part of this manual may be reproduced, stored in a retrieval system or transmitted, in any form or by any means, electronic, recommended that all maintenance and service on this product is performed by Gemini or its authorized agents. Gemini will not accept liability for loss or damage caused by maintenance or repair performed by unauthorized personnel.

WWW.GEMINISOUND.COM

REV 2020-12/19