



## DMX USB PRO

### GENERAL INFORMATION

"A tool, not a toy". Born of the Open DMX USB, the DMX USB Pro represents a significantly more robust way to control lights from your computer. It's light-weight, portable and ready for professional applications. It can be used for output, controlling your lights, or as input to allow DMX data from another source to interact with various programs on your PC. On-board chips handle timing and signal processing, so you get a clean signal no matter what your PC's processor is up to.

### APPLICATIONS

- TRADE SHOWS
- PROFESSIONAL, COMMUNITY OR ACADEMIC THEATRE
- DJS
- TELEVISION PRODUCTION
- AV PRODUCTION COMPANIES

### FEATURES

- Lightweight and portable

- Control up to 512 channels (software permitting)
- LED indicator to show proper function
- Includes USB cable and driver CD.
- Works with many commercial, shareware, and freeware programs such as Capture, Arkaos, LightFactory (see website for more)

### ACCESSORIES

Also available as part of the LightFactory Starter Kit Pro, with a 36 channel license of LightFactory. See the Enttec website for details

### ORDERING INFORMATION

Part Number	Description
#70304	DMX USB Pro

### OPTIONS

Part Number	Description
#70029	3-pin to 5-pin Adapter

### SPARE PARTS

Part Number	Description
#79110	Replacement USB Cable

### GENERAL SPECIFICATIONS

Power Requirements	300mA supplied by USB
Weight	0.66 LBS / 0.3 KG
Shipped Weight	0.88 LBS / 0.4 KG
Width	2.27" / 57.5MM
Height	1.58" / 40MM
Depth	3.03" / 77MM
Operating Environment	0°-50°C in non-condensing environment

ENTTEC Main HQ  
P.O. Box 282  
Kew, Vic 3101  
Australia  
+61 3 9819 2433 Tel  
+61 3 9819 2733 Fax

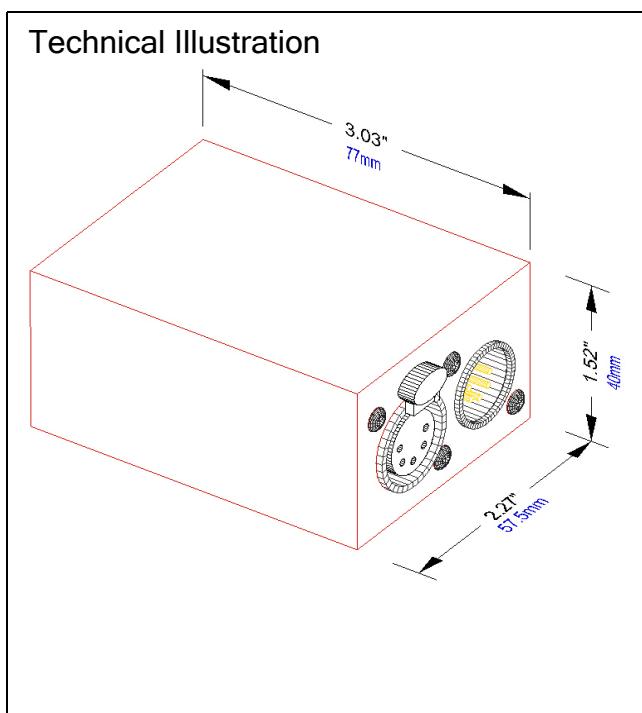
ENTTEC USA  
SHIPPING AND BILLING  
500-A Bynum Road  
Forest Hill, MD

ENTTEC USA  
SALES AND INFO  
[sales@enttec.com](mailto:sales@enttec.com)  
888 454-5922 Tel.  
888 454-5922 Fax

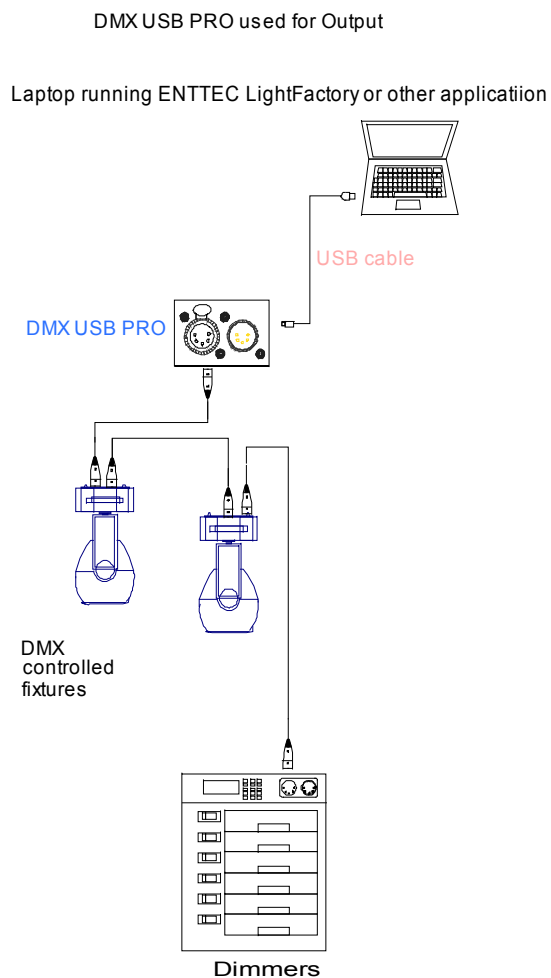
### FUNCTIONAL SPECIFICATIONS

- USB port works with USB 1.1 or 2.0
- DMX Input - 5 Pin XLR (use optional)
- DMX Output - 5 Pin XLR (will be passive throughput if input is active)
- 1500V isolation between data & power lines to protect your computer from surges
- Micro processor enabled
- RDM enabled (though more limited in capabilities than the RDM USB Pro)
- Internal frame buffering
- Drivers for Windows, OSX and Linux
- Universe & user config EEPROM
- Refresh Rate configurable from 1 to 40Hz with a full 512 channel frame
- Break configurable from 96uS to 1.3mS
- MaB configurable from 10.6uS to 1.3mS
- Upgradeable firmware

### Technical Illustration



### Wiring Diagram (Riser)



See other Riser Diagrams, Plates 70304-1 through 70304-2