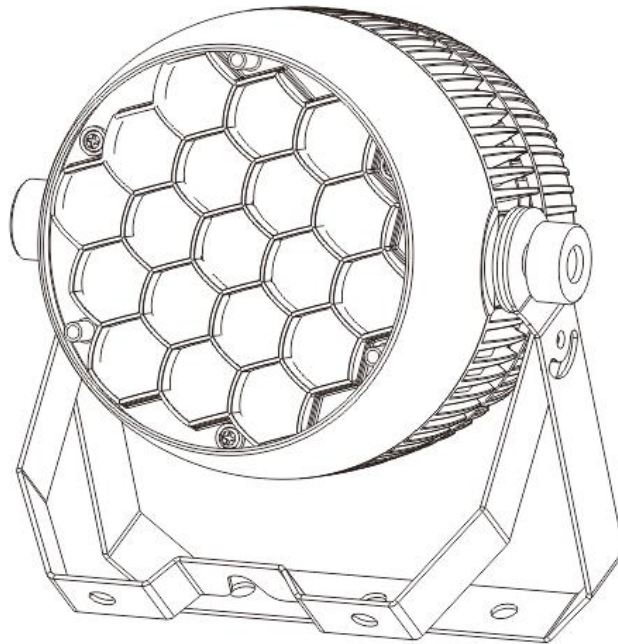


**EXALITE**

**LP285**



**G.WEIGHT: 5.6KG**

**POWER: 300W**

**COLOR: RGBW**

# CONTENT

<b>1.Content</b> .....	02
<b>2.Notice</b> .....	03
<b>3.Parts information</b> .....	04
<b>4,Product size</b> .....	04
<b>5,Product information</b> .....	05
<b>6. Control panel</b> .....	06
<b>7. Channels</b> .....	07

## **2,NOTICE:**

1. Before installation, please check whether the mechanical fasteners are loose due to transportation and maintain regularly.

2, to maintain voltage stability, otherwise easy to cause the lamp damage.

3, please check the voltage before turning on the light, it is not suitable for regular switching power supply.

4, in order to ensure the service life of the product, please keep dry and ventilated.

5, strictly prohibit live installation, disassemble. Products appear abnormal, do not disassemble, please do that with professional maintenance.

6, after checking everything is normal, fit the bracket, adjust the angle, connect the power supply and ground wire.

Power it on; after power on, the computer board will automatically self inspection for about 30 seconds, if self-test completed then can finish before operation.

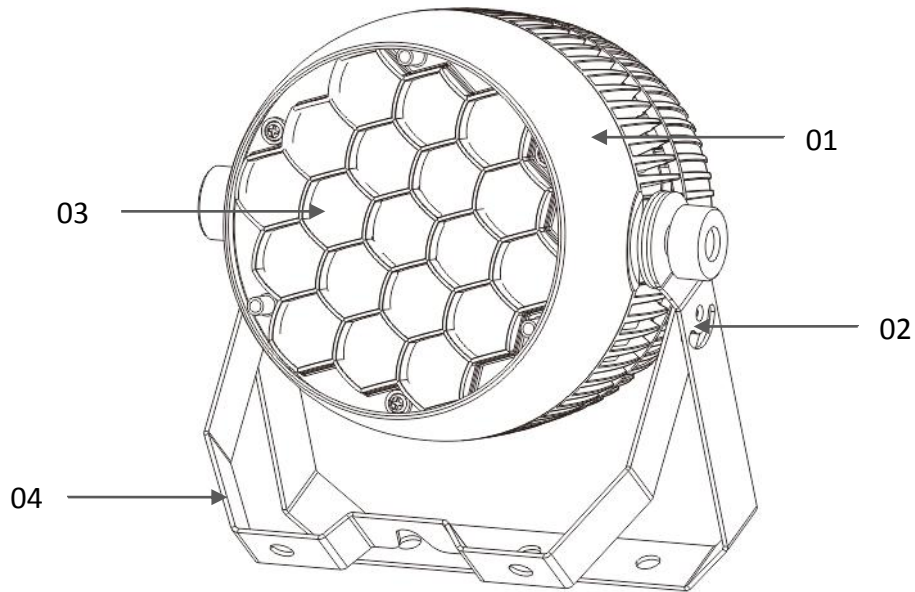
7, do not look directly at the lamp light source, so as not to damage the eyes.

8. Please connect the wire with 2 mm<sup>2</sup> square meters or more.

9, in the lamps around 0.5 meters, do not put flammable and explosive substances, please don't use the process, do not touch the light body by hand.

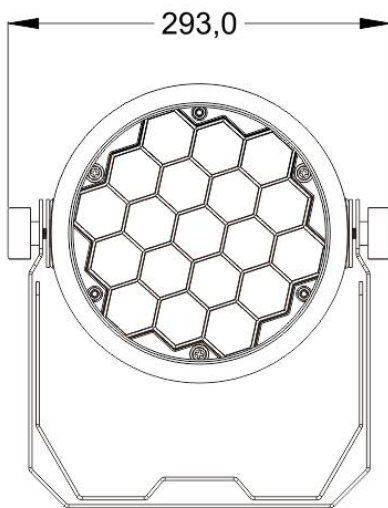
10, in the lighting installation and maintenance of handling, please make sure that the lamp body power is disconnected

### 3,PART INFORMATION

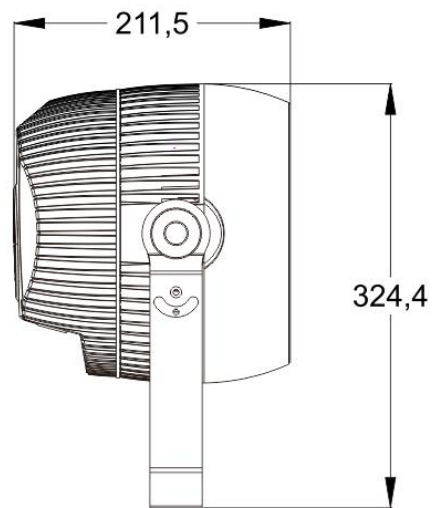


- 01 —Housing
- 02 —Handle screw
- 03 —Lens
- 04 —Handle

### 4. PRODUCT SIZE



Front view



left view

## 5,PRODUCT INFORMATION

### 1.Specification

Channel mode: 7/9CH;

Lamp: 19pcsx15W RGBW 4 in 1 LED; :

Voltage: 110-240V,50/60Hz;

Power: 300W;

Lens: French lens,with zoom, Len angel is 8 °

Beam angle: 7.9-38°;

Dimmer: 0—100% linear dimmer;

IP rate: IP20;

Product Size: 293x211.5x324.4mm;

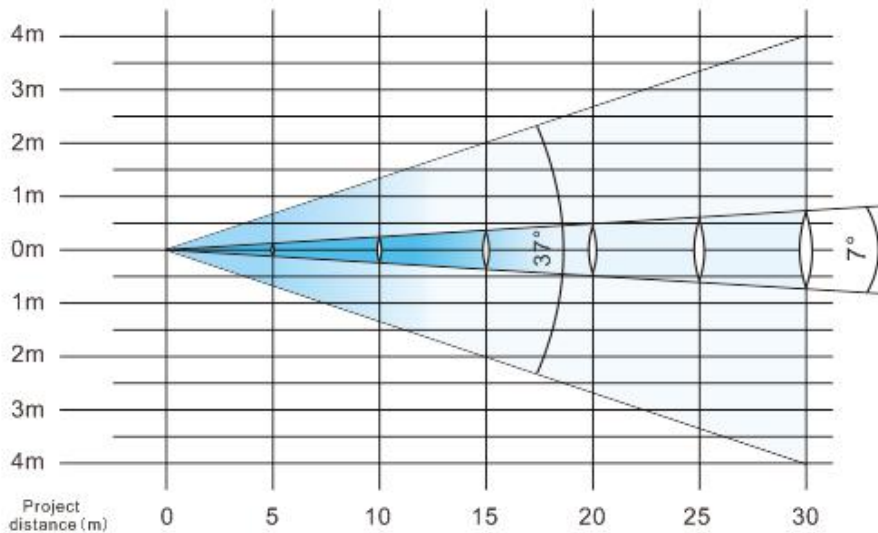
Carton size: 640x380x380mm;

Net weight: 5.6 KG;

**Note: When beam angle=7.9° can make a clear spot, more than this angle can make as wash.**

### 2.Luminous

Luminous diagram



Lumen

DISTANCE	10m		20m		30m	
ILLUMINATION	2091	360	523	90	232	40
SPOT SIZE	Φ1.29m	Φ6.5m zoom	Φ2.59m	Φ13.02m zoom	Φ3.88m	Φ19.53m zoom

## 6.CONTROL PANEL

MENU		Sub menu	Function
DmxAddr		001-512	DMX address number
Run Mod		Slave	Slave mode
		Auto	Auto run mode
		Sond	Sound control mode
ChanMod		3CH	3 Channels mode
		7CH	7 Channels mode
		9CH	9 Channels mode
Display	Bckligh	ON	Back-light always on
		1Min	Back-light off after 1 mins
		2Min	Back-light off after 2 mins
		3Min	Back-light off after 3 mins
	MenuBak	Off	Menu back off
		1Min	Menu back after 1 mins
		2Min	Menu back after 2 mins
		3Min	Menu back after 3 mins
	DmxFlsh	Off	Back-light flash off
		On	Back-light flash on
Tool	Focus	0-255	Focus motor calibrate
	L Brand	CN	Chinese led Lamp brand
		OSM	OSRAM
	Balance	White SW	White balance switch
		Red(50-255)	White balance red
		Green(50-255)	White balance green
		Blue(50-255)	White balance blue
		White(50-255)	White balance
	DmxClea	Off	No dmx signal stay
		On	No dmx signal clear
DefCfig	Off	Keep the present set	
	On	Back to default set	
Manual	Strobe	0-255	Strobe
	Dimmer		dimmer
	Focus		focus
	ColorM		Color wheel mode
	Red		red
	Green		green
	Blue		blue
	White		white
ColorF	Color change		
Info	RunTime	0000-9999	Run time

	DisVers	Vx.xx	Software version
	Temp	0-125	Temperature of metal aluminum
Rest		No	Rest off
		Yes	Reset on

## 7, CHANNEL MODE

3CH	7CH	9CH	FUNCTION	DMX ADDRESS	DESCRIPTION
1	1	1	Beam strobe	00-19	Strobe off
				20-24	Strobe on
				25-64	Strobe from fast to slow
				65-69	Strobe on
				70-84	Strobe in from fast to slow
				85-89	Strobe on
				90-104	Strobe out from fast to slow
				105-109	Strobe on
				110-124	Random strobe from fast to slow
				125-129	Strobe on
				130-144	Strobe in from fast to slow
				145-149	Strobe on
				150-164	Strobe out from fast to slow
				165-169	Strobe on
				170-184	Pulse strobe from slow to fast
				185-189	Strobe on
				190-204	Pulse strobe from fast to slow
				205-209	Strobe on
210-224	Strobe from fast to slow				
225-229	Strobe on				
230-244	Strobe from fast to slow				
245-255	Strobe on				
2	2	2	Dimmer	0-255	Linear dimmer from dark to light
3	3	3	Focus	0-255	Linear dimmer
		4	Color temperature or color	0-9	No function
				10-14	red
				15-19	green
				20-24	blue
				25-29	white
				30-34	2300
				35-39	2500
				40-44	2700
45-49	3000				

				50-54	3200
				55-59	3300
				60-64	3700
				65-69	4300
				70-74	4500
				75-79	4600
				80-84	5000
				85-89	5500
				90-94	5600
				95-99	6500
				100-104	Light yellow
				105-109	green
				110-114	pink
				115-119	orange
				120-124	Orange with yellow
				125-129	UV
				130-134	No function
				135-174	Color run from fast to slow clockwise
				175-179	stop
				180-219	Color run from slow to fast anticlockwise
				220-224	No function
				225-255	Random color from fast to slow
	4	5	Red dimmer	0-255	Red dimmer from dark to light
	5	6	Green dimmer	0-255	Green dimmer from dark to light
	6	7	Blue dimmer	0-255	Blud dimmer from dark to light
	7	8	White dimmer	0-255	White dimmer from dark to light
		9	Color change	0-7	No function
				8-39	From red to yellow
				40-71	From yellow to green
				72-103	From green to cyan
				104-135	From cyan to blue
				136-167	From blue to magenta
				168-199	From magenta to red
				200-231	From red to white
			232-255	Color change from slow to fast	