

EXALITE

USER MANUAL

EXL-M Profile CW 50W
19° / 26° / 36° / 50°



Caution: please read this user manual carefully before you initially start-up.

TABLE OF CONTENTS

INSTRUCTION	2
DESCRIPTION OF THE DEVICE	2
1. Profile.....	2
2. Overview	2
3. Specification data	2
4. Photographic chart	3
5. Safety warning	3
Warning	3
Note	4
INSTALLATION	4
1. Installing	4
2. Connection with mains	5
3. The use of color frame	6
4. The use of gobo frame	7
5. Use iris	7
6. Replacing fuse	8
7. Focus	8
APPENDIX	9
Problem and solution	9

INTRODUCTION

Thank you for having chosen a mini led profile spot 50W You will see you have acquired a powerful and versatile device.

Unpack your mini led profile spot 50W

Delivery includes

GOBO FRAME	1PC
COLOR FRAME	1PC
POWER WIRE	1PC
ADAPTER PLUG	1PC
USER MANUAL	1PC

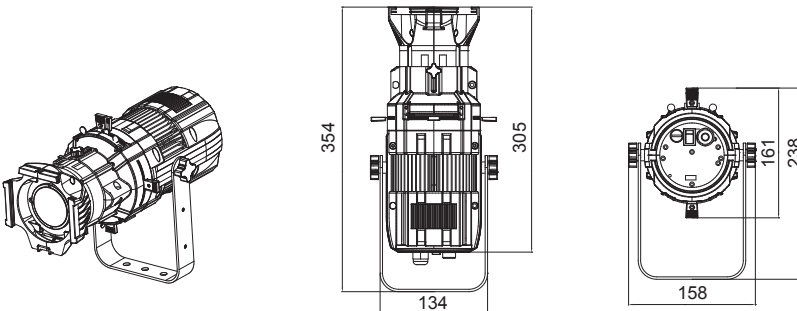
DESCRIPTION OF THE DEVICE.

1. Profile

With the idea of energy saving and environment protection, the device uses lower power loss and extremely high efficiency led. The device housing cover is made of used the new high strength heat resistance engineering plastics, with beautiful shape and smooth lines. The designing and manufacturing is in compliance with the IEC standard. The device is suitable in the exhibition hall, the museum, the theater, the performance hall and so on.

The product conforms to the international standard DMX512 agreement completely, the device can be controlled in single, and also be controlled in many units.

2. Overview

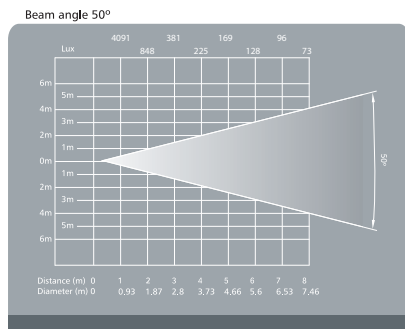
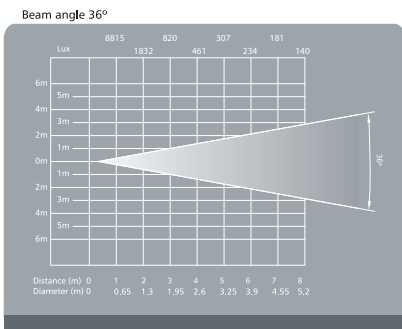
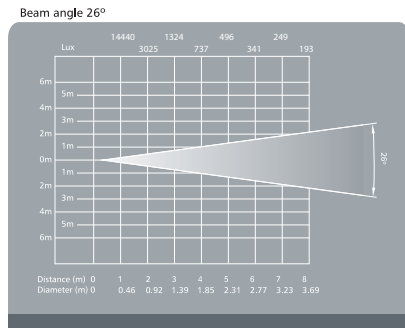
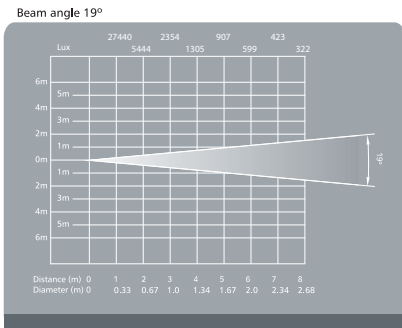


3. SPECIFICATION

- Power Supply: AC100V-240V,50HZ/60HZ
- Power consumption: 65w
- Lamp: LED 50W white
- Color temperature: 5600K
- CRI: ≥ 85
- LED life: >50000H

- Strobe: 1-20 flash persecond
- Protection grade: IP20
- Use environment temperature: -20~45°C
- Small volume, lightweight
- High quality optical system
- Different lens available 19° / 26° / 36° / 50°
- N.W.: 1.8 kgs
- Dimensions: 380*195*195mm

4. Photographic chart



5. Safety warning

① Warning :

- Every person involved with the installation, operation and maintenance of this device has to be qualified
- User must follow the instructions of this manual
- Unqualified person can not open the housing cover and operate the device, or the dealer will not accept liability for any resulting defects or problems.
- The device against rain and moisture

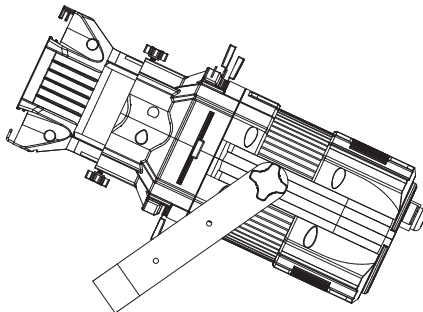
② Warning notes :

- Power supply: AC100V-240V,50HZ/60HZ
- Make sure the power switch is off, the power plug, outlet and the earth connection is in well condition before connecting the device with the mains.
- Please use qualified power plug and outlet. Never connect the power cord of this device with other electrical equipment.
- During move and installation, make sure the device not crashed with metal parts and other tough materials.
- Always disconnect from the mains, when the device is on installation and dismantled
- The minimum distance between light-output and the illuminated surface must be more than 50cm.
- The device must only be installed on a non-flammable surface. In order to safeguard sufficient ventilation, leave 50 cm of free space around the device. Please note that heat-sensitive objects may be deformed or damaged by the emitted heat.
- During the operation the housing becomes very hot! Do not operate the device for 15 minutes after switching off.
- The maximum ambient temperature $T_a = 45^{\circ}\text{C}$ must never be exceeded. The maximum housing temperature $T_b = 80^{\circ}\text{C}$ must never be exceeded.
- For indoors use.
- Replace any visible cracked protective shield, filters and lens.
- The protective shield, filters and lens will require weekly cleaning as smoke/fluid tends to building up residues, reducing the light output very quickly.

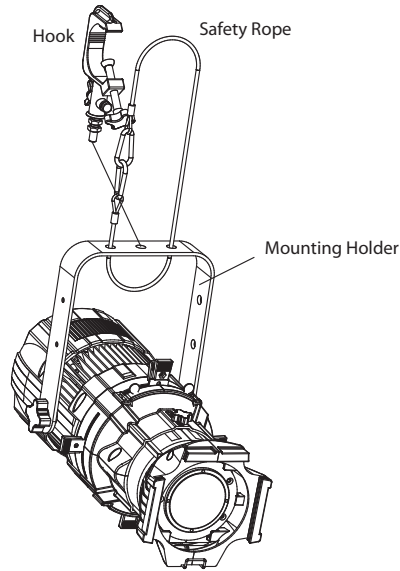
INSTALLATION

1. Installation

- When installation, keep the device far away the heat sensitive objects and explosives sensitive objects, leave at least 50CM of free space around the device.
- When the device put on horizontal place, the device must be placed directly on the place, and devices must be secured with a mounting holder.



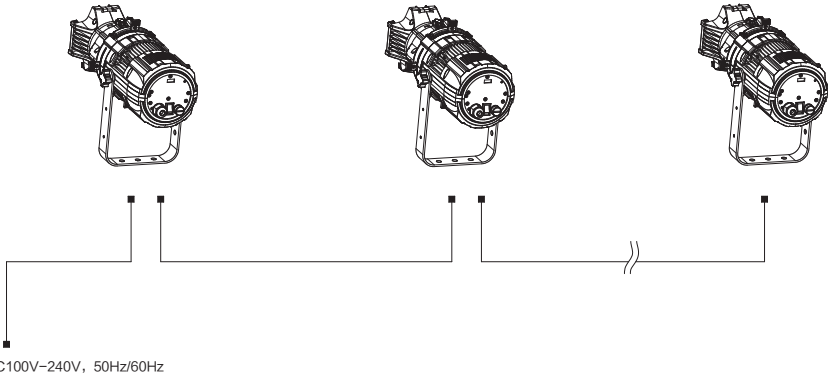
● When rigging the devices on the truss and the head face to the floor. Insert the quick-lock fasteners of the first mounting holder into the respective holes on the bottom of the device. Tighten the quick-lock fasteners fully clockwise. Install the second mounting holder. And the safety rope must be used at same time.



● Please use qualified safety-rope, which can hold at least 10 times the weight of the fixture. You must only use safety-ropes with quick links with screw cap. Pull the safety-rope through the hole on the bottom of the base and over the trussing system etc. Insert the end in the quick link and tighten the fixation screw. A safety rope which already hold the strain of a crash or which is defective must not be used again.

2.Connection with mains

- The person involved with the power connection must be qualified, and has the electrical engineering certificate.
- Connect the device to the mains with the power plug.
- The earth has to be connected.
- Power consumption 65W, input power supply AC100V-240V, 50/60Hz.



! IMPORTANT NOTE

The specification of power line is 3G0.75 with a maximum current 5A, when power is 200V-240V, use grey plug power interconnection on the device, each group do not exceed 14 sets of equipment; when power is 100V-120V, each interconnect please do not exceed 7 sets of equipment!

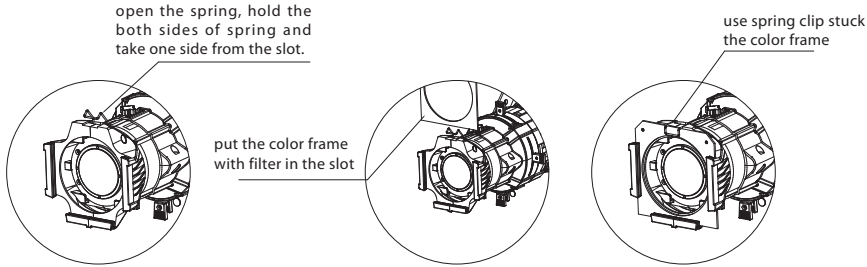
When using the random attached adapter plug, please note the correct connection of each pin!

CONNECTION WITH THE MAINS

The pin1 of power plug connects the "L" of power-cord,
 The pin2 of power plug connects the "N" of power-cord,
 The pin3 of power plug connects the "GN" of the power-cord.

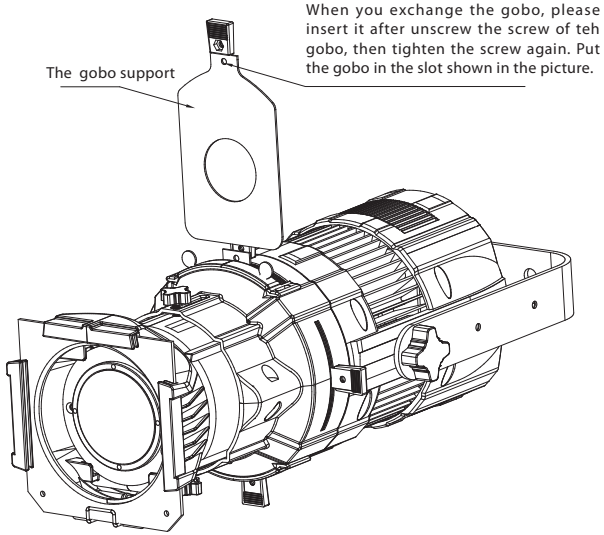
3. The use of color frame

- Take out the color frame , loose the screws, insert the color and lock the screws again
- Insert the color in the slot.



4. The use of gobo frame

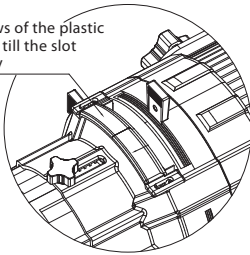
- Take out the gobo frame , loose the screws, insert the gobos and lock the screws again
- Insert the gobo in the slot.



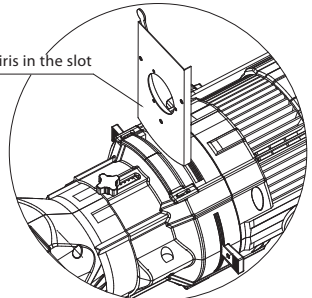
5. Use iris

Iris is not included when the projector leave factory, user can purchase the iris if needed. Loose the screws and insert the iris.

1. Unscrew the screws of the plastic card, move the card till the slot revealed completely



2. Insert iris in the slot



6. Replacing fuse

- Before replacing the fuse, unplug mains lead.
- Procedure:

Step 1: Unscrew the fuseholder on the rearpanel with a fitting screwdriver from the housing (anti-clockwise).

Step 2: Remove the old fuse from the fuseholder.

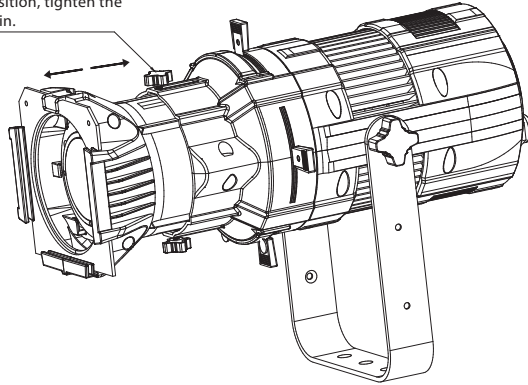
Step 3: Install the new fuse in the fuseholder.

Step 4: Replace the fuseholder in the housing and fix it.

7. Focus

- The objective lens cylinder is usually shrunk before leaving factory, after connect the projector to the mains, user may loose the screws and pull out the lens cylinder, till the white light output circular is clearly presented, locking tightly the two screws again.
- When the projection distance is changed, user can follow previous operating steps, and focus the projectort.

Unscrew the screws of the lens,move the lens in perfect position, tighten the screws of the lensagain.



APPENDIX

Problem and solution

Problem	Reason	Resolution
Device not work	No power	AC 100V-240V,50HZ/60HZ Check the power connection, and make sure device connect the mains in well condition. Check if switch is on Check if the fuse is good
Led bulb is off	led bulb damaged	Replacing led bulb
	Led driver board damaged	Replacing led driver board
	temperature swtich damaged	Replacing temperature switch
Fans not work	Fans damaged	replacing fans

CAUTION

- Unqualified person involved with installation, operation and maintenance of this device is prohibited.
- If any above mentioned problem happened, or unknown problem happened, please contact manufactory or distributor for assistance.
- When you need to use the DMX512 signal to control the device, please buy a signal receiver to the manufacturer!

EXL-M Profile CW 180W
19° / 26° / 36° / 50°

USER MANUAL



PRODANCE, s.r.o.
Osadní 799/26, 170 00 Praha 7
T: 220 806 054 E: info@prodance.cz
www.prodance.cz

VERSIONS __ 1.0