

**EXALITE**

## USER MANUAL

# **EXL-2 Fresnel Zoom WW+CW 200W**



Caution: please read this user manual carefully before you initially start-up.



# TABLE OF CONTENTS

<b>INSTRUCTION</b> .....	2
<b>DESCRIPTION OF THE DEVICE</b> .....	2
1. Profile.....	2
2. Overview .....	2
3. Specification data .....	2
4. Photographic chart .....	3
5. Safety warning .....	3
Warning .....	3
Note .....	3
<b>INSTALLATION</b> .....	4
1. Installing .....	4
2. DMX 512 connection .....	5
3. Connection with mains .....	6
4. The use of shuttle plate .....	6
5. Zoom .....	7
6. Dimmer .....	7
7. Replacing fuse .....	7
<b>OPERATION</b> .....	7
1. Description of the keys .....	7
2. Menu .....	8
3. Basic setting .....	9
4. DMX protocol .....	10
<b>APPENDIX</b> .....	11
Problem and solution .....	11

## INTRODUCTION

Thank you for having chosen a led profile wash 200, You will see you have acquired a powerful and versatile device.

Unpack your led profile wash 200

Delivery includes

The shuttle plate	1PC (Optional)
DMX CABLE	1PC
Power wire	1PC
USER MANUAL	1PC

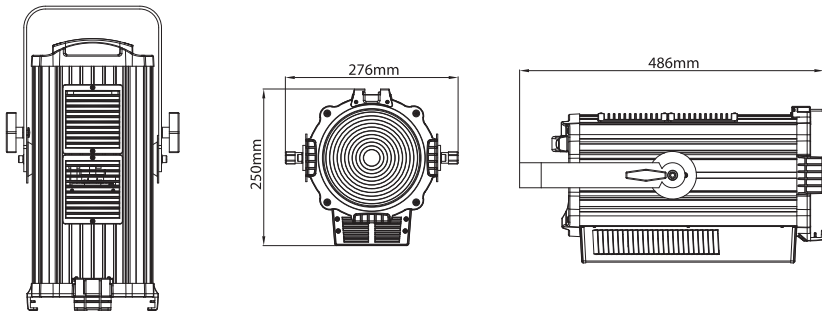
## DESCRIPTION OF THE DEVICE.

### 1. Profile

With the idea of energy saving and environment protection, the device uses lower power loss and extremely high efficiency led. The device housing cover is made of used the new high strength heat resistance engineering plastics, with beautiful shape and smooth lines. The designing and manufacturing is in compliance with the IEC standard. The device is suitable in the large-scale theatrical performance, the theater, the performance hall and so on.

The product conforms to the international standard DMX512 agreement completely, the device can be controlled in single, and also be controlled in many units.

### 2. Overview

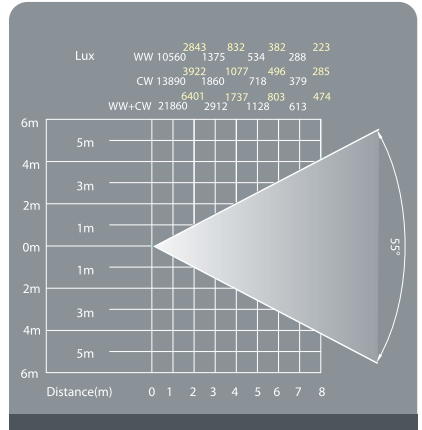
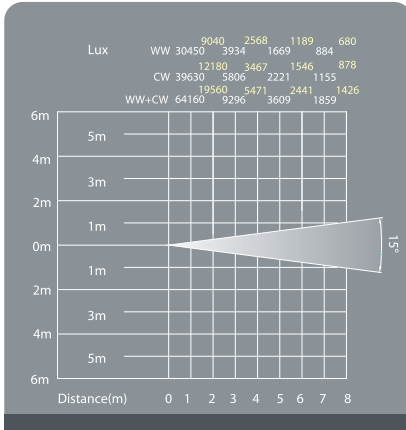


### 3. SPECIFICATION

- Power supply: AC100V-240V, 50Hz/60Hz,
- Power consumption: 250W
- Lamp: W.W.+C.W. 200W
- Color temperature: color temperature can be adjusted from 2700K to 6500K
- CRI: 90Ra

- Lifetime of led: more than 50000hours
- Dimmer: 0-100% linear dimmer
- Beam angle: 15°- 55°
- Zoom: Electronic zoom
- Strobe: 1-20 flash per second
- High quality radiator, regulating speed fan
- Lcd display
- Control mode: international standard dmx512 signal, with XLR 3PIN and XLR 5PIN connectors
- Channel mode: 4/5 channels
- IP20
- Environment temperature: -20°C—45°C
- N.W.: 8.4kgs
- G.W.: 10.8kgs
- Dimensions(L×W×H): 520×315×320mm

#### 4. Photographic chart



#### 5. Safety warning

##### ①Warning :

- Every person involved with the installation, operation and maintenance of this device has to be qualified
- User must follow the instructions of this manual
- Unqualified person can not open the housing cover and operate the device, or the dealer will not accept liability for any resulting defects or problems.
- The device against rain and moisture

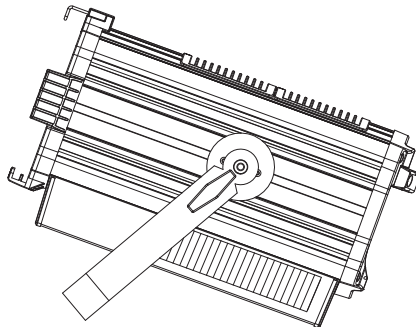
##### ②Warning notes :

- Power supply: AC100V-240V,50HZ/60HZ
- Make sure the power switch is off, the power plug, outlet and the earth connection is in well condition before connecting the device with the mains.
- Please use qualified power plug and outlet. Never connect the power cord of this device with other electrical equipment.
- During move and installation, make sure the device not crashed with metal parts and other tough materials.
- Always disconnect from the mains, when the device is on installation and dismantled
- The minimum distance between light-output and the illuminated surface must be more than 50cm.
- The device must only be installed on a non-flammable surface. In order to safeguard sufficient ventilation, leave 50 cm of free space around the device. Please note that heat-sensitive objects may be deformed or damaged by the emitted heat.
- During the operation the housing becomes very hot! Do not operate the device for 15 minutes after switching off.
- The maximum ambient temperature  $T_a = 45^{\circ}\text{C}$  must never be exceeded. The maximum housing temperature  $T_b = 80^{\circ}\text{C}$  must never be exceeded.
- For indoors use.
- Replace any visible cracked protective shield, filters and lens.
- The protective shield, filters and lens will require weekly cleaning as smoke/fluid tends to building up residues, reducing the light output very quickly.

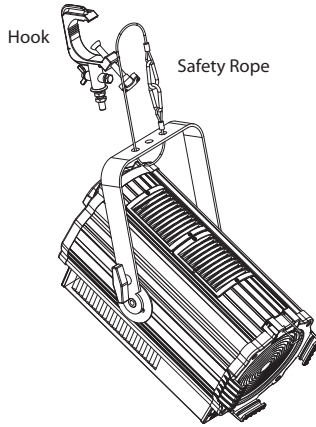
## INSTALLATION

### 1. Installation

- When installation, keep the device far away the heat sensitive objects and explosives sensitive objects, leave at least 50CM of free space around the device.
- When the device put on horizontal place, the device must be placed directly on the place, and devices must be secured with a mounting holder.



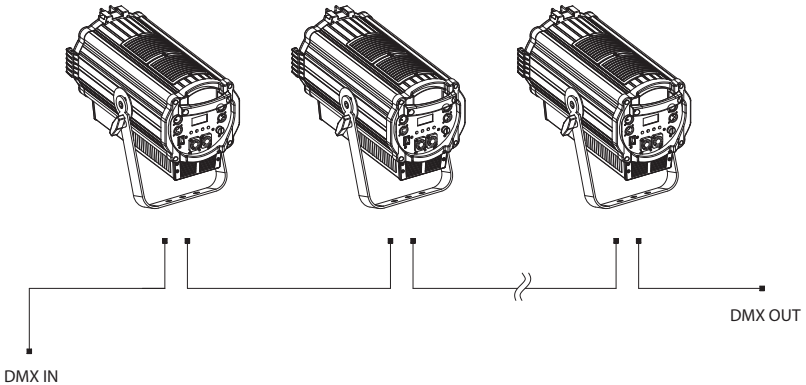
- When rigging the devices on the truss and the head face to the floor. Insert the quick-lock fasteners of the first mounting holder into the respective holes on the bottom of the device. Tighten the quick-lock fasteners fully clockwise. Install the second mounting holder. And the safety rope must be used at same time.



- Please use qualified safety-rope, which can hold at least 10 times the weight of the fixture. You must only use safety-ropes with quick links with screw cap. Pull the safety-rope through the hole on the bottom of the base and over the trussing system etc. Insert the end in the quick link and tighten the fixation screw. A safety rope which already hold the strain of a crash or which is defective must not be used again.

**2. Dmx512 connection**

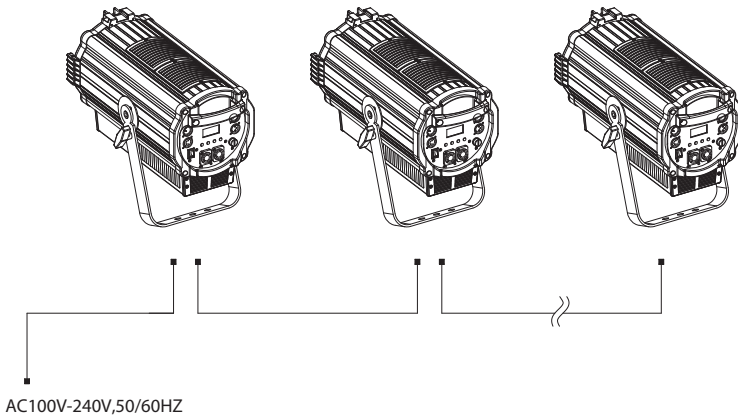
- Please use xlr-xlr wires connect the dmx output of the controller with the dmx input of the first device, and connect the dmx output of the first device with the dmx input of the second device, always connect one output with the input of the next device until all devices are connected.



- Please use qualified xlr-dmx cables.

### 3.Connection with mains

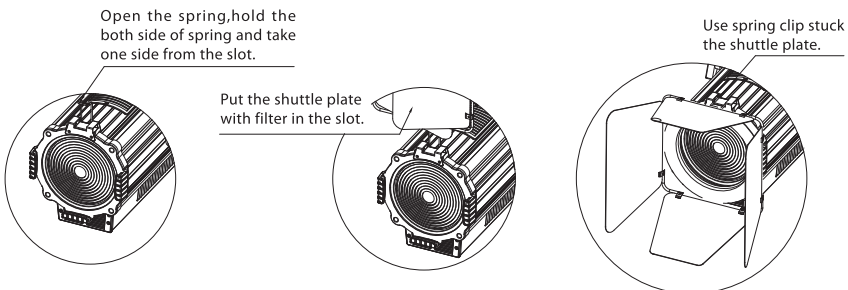
- The person involved with the power connection must be qualified, and has the electrical engineering certificate.
- Connect the device to the mains with the power plug.
- The earth has to be connected.
- Power consumption 250W, input power supply AC100V-240V, 50/60Hz



**Important note:** *the specification of power line is 3G1.5 with a maximum current 13A, when power is 200V-240V, use grey plug power interconnection on the device, each group do not exceed 10 sets of equipment; when power is 100V-120V, each interconnect please do not exceed 5 sets of equipment!*

### 4. The use of shuttle plate

- Take out the shuttle plate, operation followed by the overview.





## 5. Zoom

● The device has the function of zoom in and out, which can be adjusted through DMX512 signal, also through the button of "ZOOM IN" and "ZOOM OUT" in rear panel. When focusing, the DMX512 signal is priority, when signal input, manual focusing is invalid. to realize manual focusing, you must disconnect DMX-input!

## 6. Dimmer

● This equipment is dimming is 0-100% linear dimming, which can be adjusted through DMX512 signal, in the absence of DMX signal can be adjusted through the device menu "ManDim"! But the dimming DMX512 signal is priority, when signal input, manual dimming is invalid, in order to realize manual light, you must disconnect DMX-input!

## 7. Replacing fuse

- Before replacing the fuse, unplug mains lead.
- Procedure:

Step 1: Unscrew the fuseholder on the rearpanel with a fitting screwdriver from the housing (anti-clockwise).

Step 2: Remove the old fuse from the fuseholder.

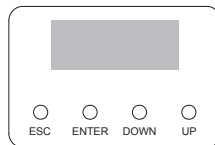
Step 3: Install the new fuse in the fuseholder.

Step 4: Replace the fuseholder in the housing and fix it.

## OPERATION

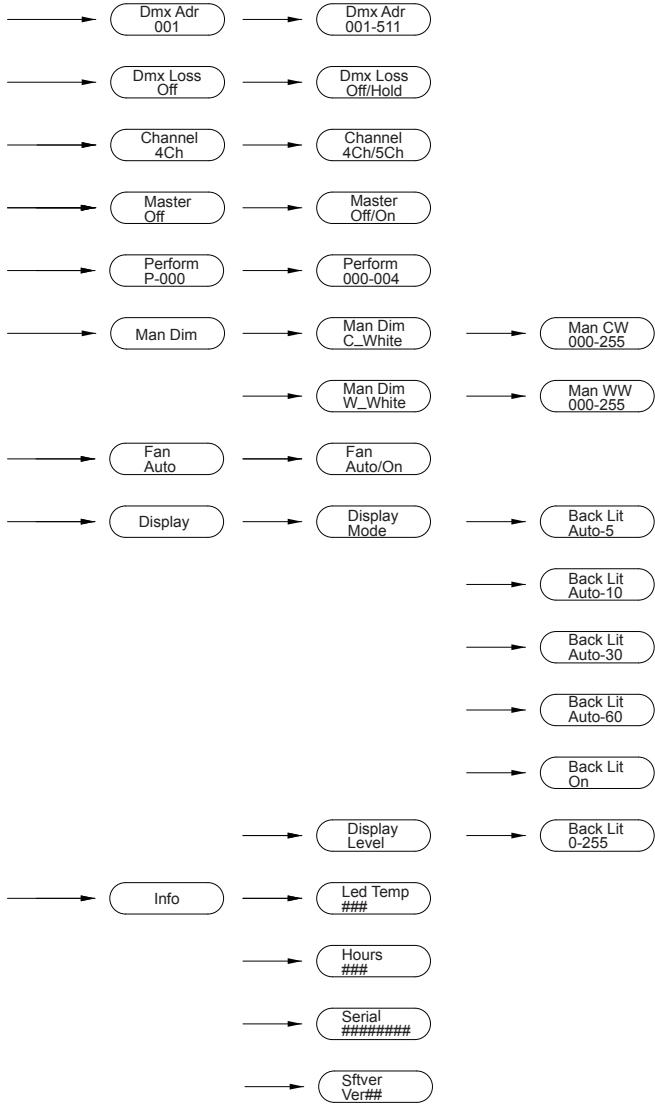
### 1. Description of the keys

- ESC;
- ENTER;
- DOWN;
- UP.



2. Menu

**EXL-2 Fresnel Zoom  
WW+CW 200W**



**Important notice:**

*This equipment is dimming DMX512 signal priority,when the input signal, the "ManDim" is invalid; as in the menu by light, please cut off the input DMX512 signal!*

**3. Basic setting.**

- The display will show address and other information when the unit is powered on;
- Address setting

Press "ENTER" key to enter main menu, it will show message [Dmx Adr 001], press "ENTER" key to enter, use "DOWN" or "UP" key to select required address [001 – 511] and press "ENTER" to confirm and return to main menu;

- Setting when unit loss signal

Press "UP" key to enter menu and select [Dmx Loss], press "ENTER" key to confirm, use the 'UP" or "DOWN" key to select [Off] or [Hold] , and press "ENTER" to confirm and return to main menu;

- Mode setting

Use "UP" key to select [Channel], press "ENTER" key to confirm, use "DOWN" or "UP" key to select [4Ch] or [5Ch], press "ENTER" key to confirm and return to main menu.

- Master and slave setting

Use "UP" key to select [Master], press "ENTER" key to confirm, use "DOWN" or "UP" key to select [Master Off] or [Master On], then press "ENTER" key to confirm and return to main menu.

- Demo

Use "UP" key to select [Perform], press "ENTER" key to confirm, use "DOWN" or "UP" key to select [000---004], press "ENTER" key to confirm and return to main menu.

- Manual dimmer

Use "UP" key to select [Man Dim], press "ENTER" key to confirm, use "DOWN" or "UP" key to select [C--White] or [W--White], than select [0--255], press "ENTER" key to confirm and return to main menu.

- Fan setting

Use "UP" key to select [Fan], press "ENTER" key to confirm, use "DOWN" or "UP" key to select [Fan Auto] or [Fan On], press "ENTER" key to confirm and return to main menu.

- Display adjusting

Use "UP" key to select [Display], press "ENTER" key to confirm, Display time setting, it shows [Back Lit Mode], press "ENTER" to confirm. Use "UP" or "DOWN" key to select [5,10,30,60] second, meaning display will turn off automatically

5,10,30,60seconds after last press any key o the control board, or select [On] to keep the display on, then press “ENTER” key to confirm and return to the main menu.

● Display brightness setting

Use “UP” key to select [Display Level], press “ENTER”to confirm, use “DOWN” or “UP” key to select [000—255], then press “ENTER”key to confirm and return to the main menu.

● Check equipment data

Use “up”key to select [Display], press “ENTER” key to confirm, use “up” key to select [Info], then you can check the unit information such as led bulb temperature [Led Temp ###], unit working hours [Hours #####], unit serial number [ Serial #####], and unit version [Sftver #.#]. Then press “ESC” key to return to the main menu.

4.Dmx protocol

4DMX	VALUE	EFFECT
CH1	000—255	Zoom
CH2	000	Strobe NoFc
	001—127	Strobe
	128—159	Close Pulse
	160—191	Open Pulse
	192—255	Rnd Strobe
CH3	000—255	WW
CH4	000—255	CW

5DMX	VALUE	EFFECT
CH1	000—255	Zoom
CH2	000	Strobe NoFc
	001—127	Strobe
	128—159	Close Pulse
	160—191	Open Pulse
	192—255	Rnd Strobe
CH3	000—255	WW
CH4	000—255	CW
CH4	000—255	Dimmer

## APPENDIX

### Problem and solution

Problem	Reason	Resolution
<b>Device not work</b>	No power	AC100V-240V,50HZ/60HZ Check the power connection, and make sure device connect the mains in well condition. Check if switch is on Check if the fuse is good
<b>Led bulb is off</b>	led bulb damaged	Replacing led bulb
	Led driver board damaged	Replacing led driver board
	temperature swtich damaged	Replacing temperature switch
<b>Fans not work</b>	Fans damaged	replacing fans
<b>Focus not work well</b>	Focus motor damaged	replacing motor
	Cable connector of focus motor becomes flexible	Replacing qualified motor cab
	Magnet sensor of focus damaged	Replacing magnet sensorle

**Caution:**

- Unqualified person involved with installation, operation and maintenance of this device is prohibited.
- If any above mentioned problem happened, or unknown problem happened, please contact manufactory or distributor for assistance.





**EXL-2 Fresnel Zoom WW+CW 200W**  
USER MANUAL



PRODANCE, s.r.o.  
Osadní 799/26, 170 00 Praha 7  
T: 220 806 054 E: info@prodance.cz  
[www.prodance.cz](http://www.prodance.cz)

VERSIONS \_\_1.0